



Chipsmall Limited consists of a professional team with an average of over 10 year of expertise in the distribution of electronic components. Based in Hongkong, we have already established firm and mutual-benefit business relationships with customers from,Europe,America and south Asia,supplying obsolete and hard-to-find components to meet their specific needs.

With the principle of "Quality Parts,Customers Priority,Honest Operation,and Considerate Service",our business mainly focus on the distribution of electronic components. Line cards we deal with include Microchip,ALPS,ROHM,Xilinx,Pulse,ON,Everlight and Freescale. Main products comprise IC,Modules,Potentiometer,IC Socket,Relay,Connector.Our parts cover such applications as commercial,industrial, and automotives areas.

We are looking forward to setting up business relationship with you and hope to provide you with the best service and solution. Let us make a better world for our industry!



Contact us

Tel: +86-755-8981 8866 Fax: +86-755-8427 6832

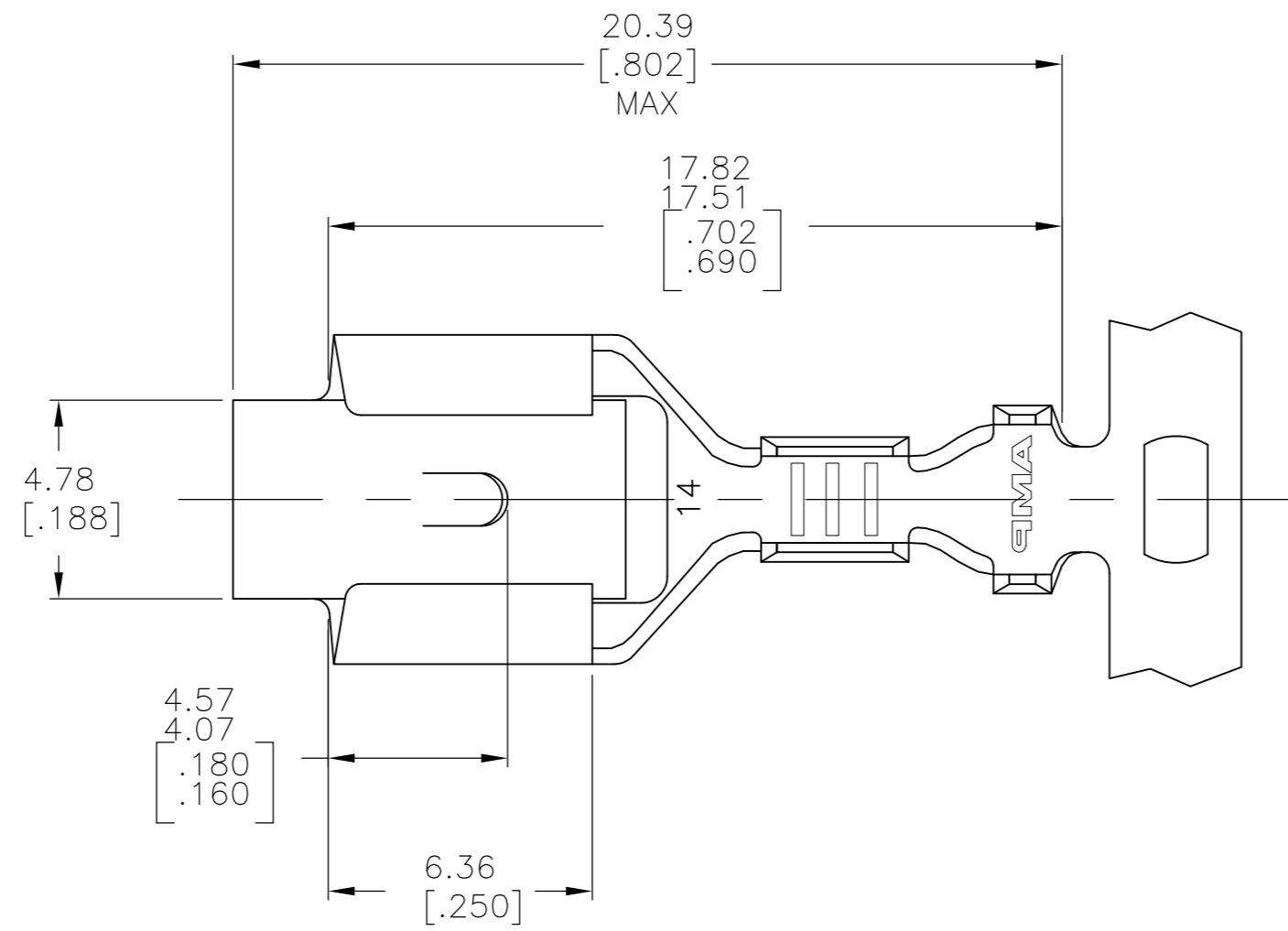
Email & Skype: info@chipsmall.com Web: www.chipsmall.com

Address: A1208, Overseas Decoration Building, #122 Zhenhua RD., Futian, Shenzhen, China

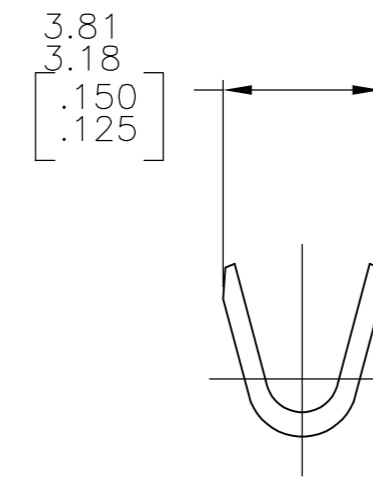


THIS DRAWING IS UNPUBLISHED. RELEASED FOR PUBLICATION
 © COPYRIGHT BY TYCO ELECTRONICS CORPORATION. ALL RIGHTS RESERVED.

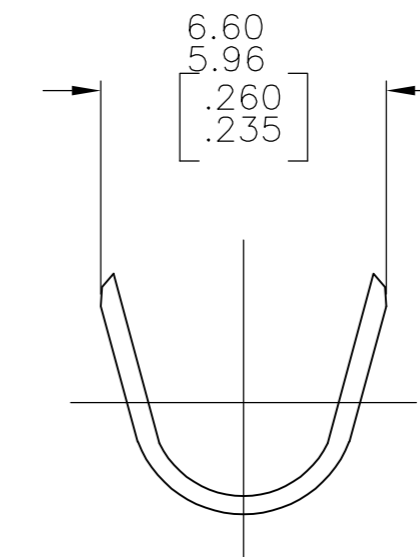
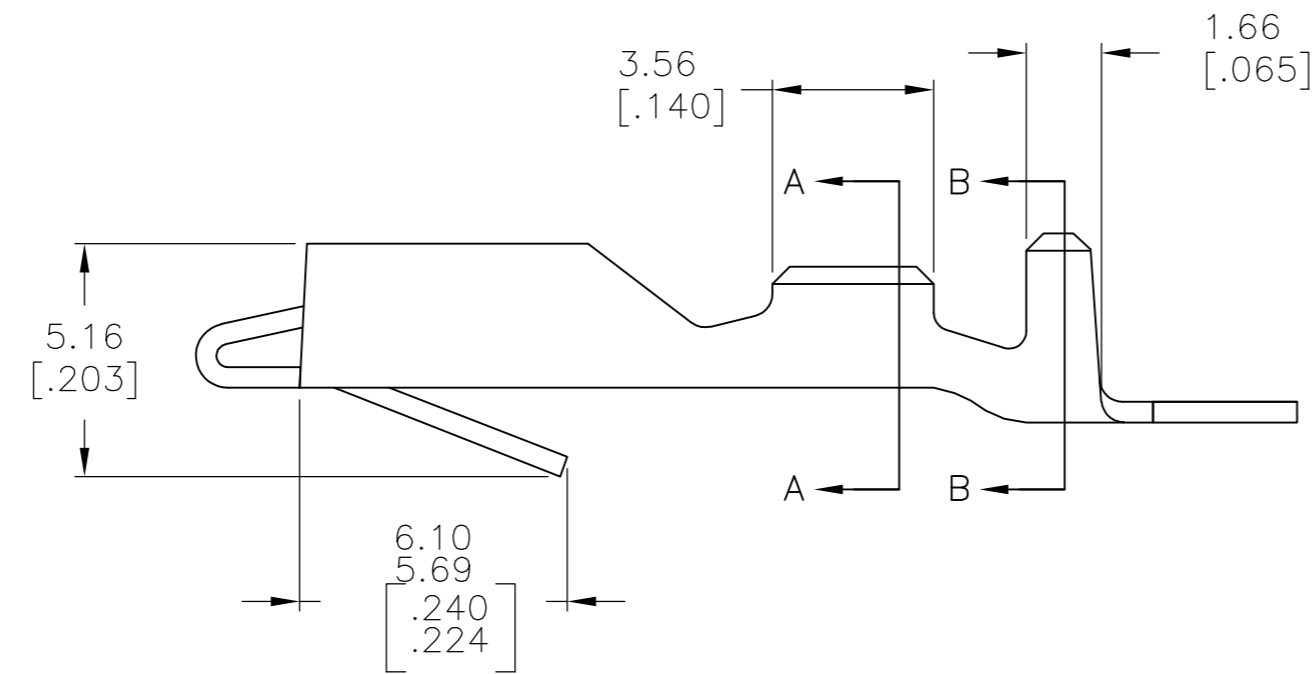
LOC	DIST	REVISIONS			
P	LTR	DESCRIPTION	DATE	DWN	APVD
AF	50	L1	REVISED PER ECR-08-021551	11SEP08	HMR KR



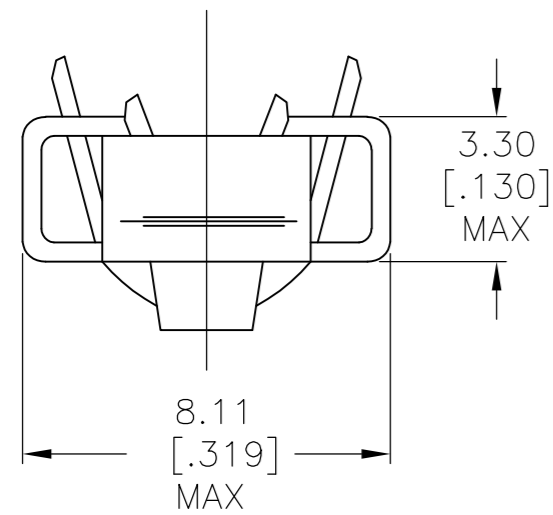
1 PRELIMINARY - NOT FOR PRODUCTION
 2 SPECIAL REELING



SECTION A-A



SECTION B-B



LOOSE PIECE	FINISH	INSULATION RANGE	WIRE SIZE	PART NUMBER
-	PRE-TIN 2	.154 MAX	18-14	1 640417-4
-	POST-TIN WITH CORROSION LUBE	.154 MAX	18-14	1 640417-3
-	PRE-TIN	.154 MAX	18-14	640417-2
641257-1	NONE	.154 MAX	18-14	640417-1

THIS DRAWING IS A CONTROLLED DOCUMENT.		DWN RAGHAVENDRA 15MAY08	Tyco Electronics Corporation Harrisburg, Pa 17105-3608	
DIMENSIONS: mm [INCHES]		CHK RANDOLPH KURT 15MAY08	NAME	
TOLERANCES UNLESS OTHERWISE SPECIFIED:		APVD RANDOLPH KURT 15MAY08	.250 BLADE, RECEPTACLE	
0 PLC ± -		PRODUCT SPEC	SIZE CAGE CODE DRAWING NO RESTRICTED TO	
1 PLC ± -		APPLICATION SPEC	A2 00779 C=640417	
2 PLC ± -		WEIGHT	SCALE 6:1 SHEET 1 OF 1 REV L1	
3 PLC ± .015		CUSTOMER DRAWING		
4 PLC ± -				
ANGLES ± -				
MATERIAL BRASS	FINISH SEE TABLE			