



Chipsmall Limited consists of a professional team with an average of over 10 year of expertise in the distribution of electronic components. Based in Hongkong, we have already established firm and mutual-benefit business relationships with customers from,Europe,America and south Asia,supplying obsolete and hard-to-find components to meet their specific needs.

With the principle of “Quality Parts,Customers Priority,Honest Operation,and Considerate Service”,our business mainly focus on the distribution of electronic components. Line cards we deal with include Microchip,ALPS,ROHM,Xilinx,Pulse,ON,Everlight and Freescale. Main products comprise IC,Modules,Potentiometer,IC Socket,Relay,Connector.Our parts cover such applications as commercial,industrial, and automotives areas.

We are looking forward to setting up business relationship with you and hope to provide you with the best service and solution. Let us make a better world for our industry!



Contact us

Tel: +86-755-8981 8866 Fax: +86-755-8427 6832

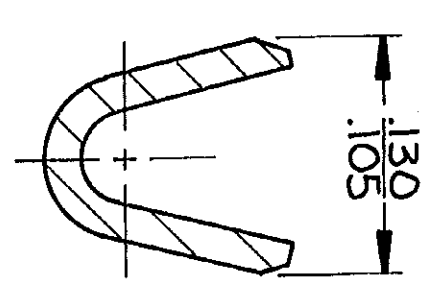
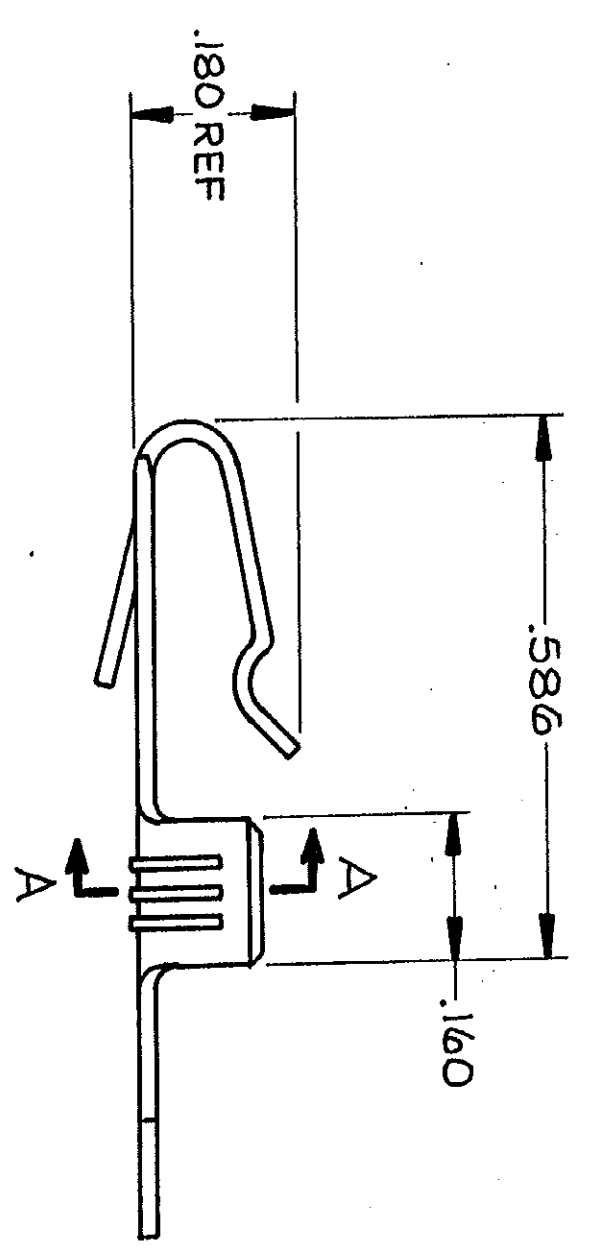
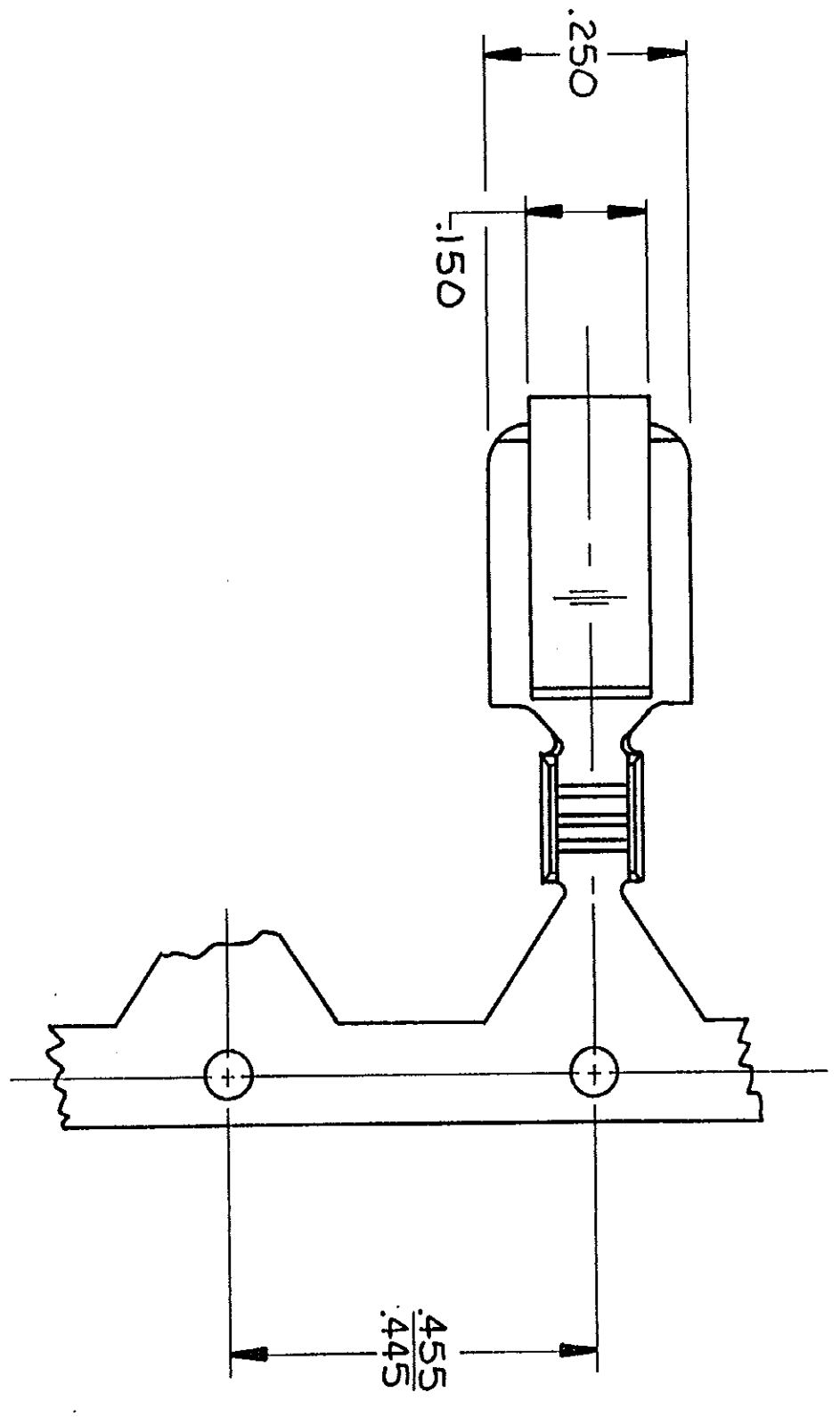
Email & Skype: info@chipsmall.com Web: www.chipsmall.com

Address: A1208, Overseas Decoration Building, #122 Zhenhua RD., Futian, Shenzhen, China



THIS DRAWING IS UNPUBLISHED. RELEASED FOR PUBLICATION
 © COPYRIGHT 1987 BY AMP INCORPORATED, HARRISBURG, PA. ALL INTERNATIONAL RIGHTS RESERVED. AMP PRODUCTS MAY BE COVERED BY U.S. AND FOREIGN PATENTS AND/OR PATENTS PENDING.

LOC	DIST	REVISIONS	DATE	APPD
AF	50			
P	F	ZONE LTR		
		C	REDWN & REACTIVED-1 PER PR 87-4	2-13-87 KM/RS
		D	REV PER AF-8117	9/24/82 PWT/SFD



SECTION A-A
SCALE 10:1

UNLESS OTHERWISE SPECIFIED DIMENSIONS ARE IN INCHES TOLERANCES ON		DR	2-13-87	NAME	TERMINAL, FLUORESCENT LAMP SOCKET
2 PL DEC	± .015	CHK	2-16-87	WIRE SIZE	20-16 AWG
3 PL DEC	± .015	APPD	2/16/87	APPLICATOR TYPE	MINI
ANGLES	±	PRODUCT SPEC		PART NO	640483-1
MATERIAL	.020 BRASS				
FINISH					
APPLICATION SPEC					
WEIGHT					
SIZE	C	FSCM NO	00779	DRAWING NO	640483
SCALE	5:1			SHEET	1 OF 1