



Chipsmall Limited consists of a professional team with an average of over 10 year of expertise in the distribution of electronic components. Based in Hongkong, we have already established firm and mutual-benefit business relationships with customers from,Europe,America and south Asia,supplying obsolete and hard-to-find components to meet their specific needs.

With the principle of “Quality Parts,Customers Priority,Honest Operation,and Considerate Service”,our business mainly focus on the distribution of electronic components. Line cards we deal with include Microchip,ALPS,ROHM,Xilinx,Pulse,ON,Everlight and Freescale. Main products comprise IC,Modules,Potentiometer,IC Socket,Relay,Connector.Our parts cover such applications as commercial,industrial, and automotives areas.

We are looking forward to setting up business relationship with you and hope to provide you with the best service and solution. Let us make a better world for our industry!



## Contact us

Tel: +86-755-8981 8866 Fax: +86-755-8427 6832

Email & Skype: info@chipsmall.com Web: www.chipsmall.com

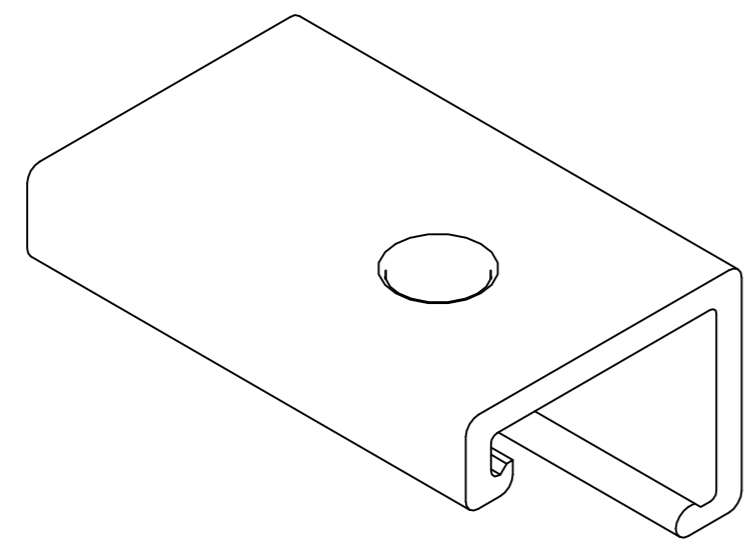
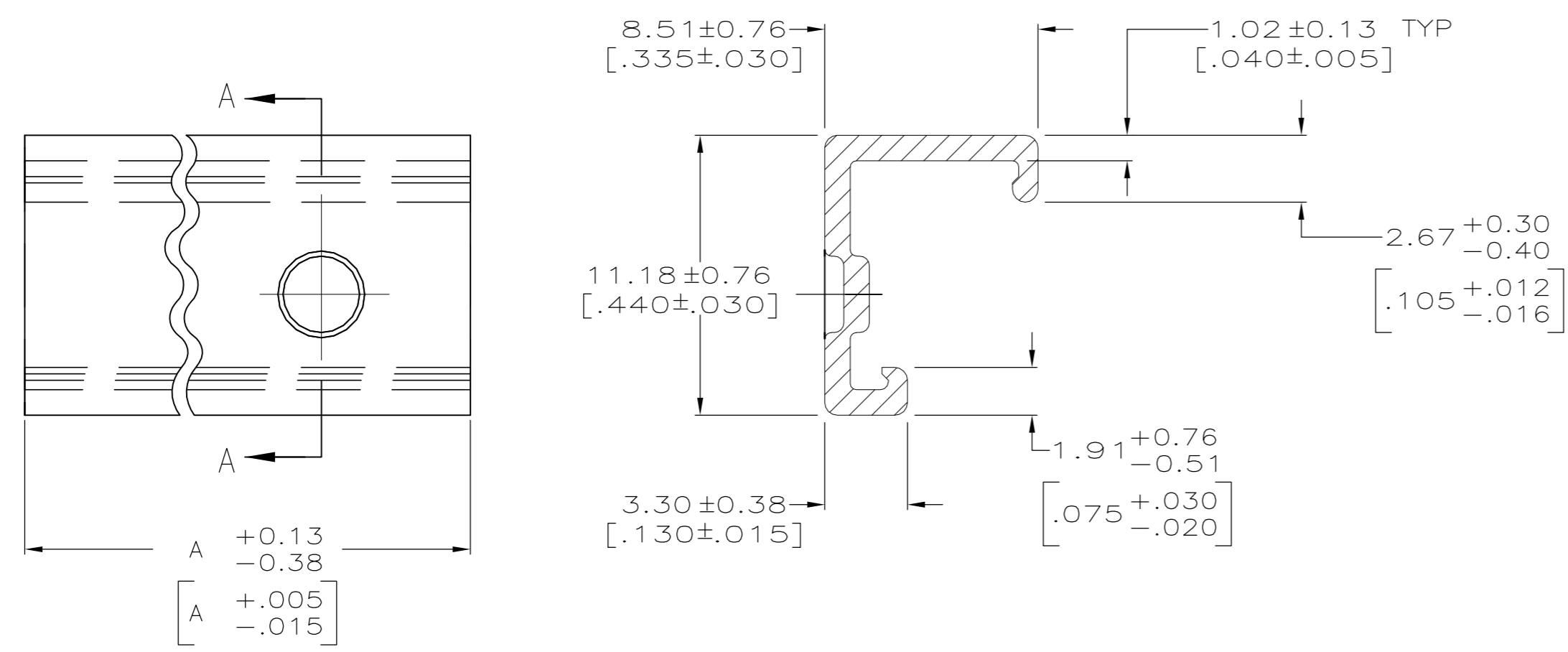
Address: A1208, Overseas Decoration Building, #122 Zhenhua RD., Futian, Shenzhen, China



THIS DRAWING IS UNPUBLISHED. RELEASED FOR PUBLICATION  
 © COPYRIGHT - By - ALL RIGHTS RESERVED.

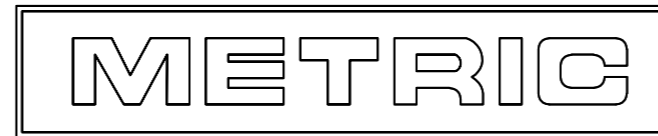
LOC	DIST	REVISIONS			
P	LTR	DESCRIPTION	DATE	OWN	APVD
CM	54	L2 REVISED PER ECO-11-016260	11AUG11	JR	SM

1. DIMENSIONS IN BRACKETS ARE IN INCHES.



3-DIMENSIONAL MODEL NTS

24	CIRCUIT ASSY	95.10	[3.744]	2-640551-4	
23	CIRCUIT ASSY	91.14	[3.588]	2-640551-3	
22	CIRCUIT ASSY	87.17	[3.432]	2-640551-2	
21	CIRCUIT ASSY	83.21	[3.276]	2-640551-1	
20	CIRCUIT ASSY	79.25	[3.120]	2-640551-0	
19	CIRCUIT ASSY	75.29	[2.964]	1-640551-9	
18	CIRCUIT ASSY	71.32	[2.808]	1-640551-8	
17	CIRCUIT ASSY	67.36	[2.652]	1-640551-7	
16	CIRCUIT ASSY	63.40	[2.496]	1-640551-6	
15	CIRCUIT ASSY	59.44	[2.340]	1-640551-5	
14	CIRCUIT ASSY	55.47	[2.184]	1-640551-4	
13	CIRCUIT ASSY	51.51	[2.028]	1-640551-3	
12	CIRCUIT ASSY	47.55	[1.872]	1-640551-2	
11	CIRCUIT ASSY	43.59	[1.716]	1-640551-1	
10	CIRCUIT ASSY	39.62	[1.560]	1-640551-0	
9	CIRCUIT ASSY	35.66	[1.404]	640551-9	
8	CIRCUIT ASSY	31.70	[1.248]	640551-8	
7	CIRCUIT ASSY	27.74	[1.092]	640551-7	
6	CIRCUIT ASSY	23.77	[.936]	640551-6	
5	CIRCUIT ASSY	19.81	[.780]	640551-5	
4	CIRCUIT ASSY	15.85	[.624]	640551-4	
3	CIRCUIT ASSY	11.89	[.468]	640551-3	
2	CIRCUIT ASSY	7.92	[.312]	640551-2	
USED ON MTA 156 CONNECTOR ASSEMBLY AS LISTED				A	PART NO



THIS DRAWING IS A CONTROLLED DOCUMENT.		DWN T BECK 4-9-91	<b>STE</b> TE Connectivity	
DIMENSIONS: MM [INCHES]		CHK - 4-9-91		
TOLERANCES UNLESS OTHERWISE SPECIFIED:		APVD - 4-10-91	NAME COVER, MTA 156	
0 PLC ± -		PRODUCT SPEC -	SIZE CAGE CODE DRAWING NO RESTRICTED TO	
1 PLC ± -		APPLICATION SPEC -	A2 00779 C-640551	
2 PLC ± -		WEIGHT -	CUSTOMER DRAWING SCALE 5:1 SHEET 1 OF 1 REV L2	
3 PLC ± -				
4 PLC ± -				
ANGLES ± ± -				
FINISH -				
MATERIAL POLYESTER, UL 94V-0 NATURAL				