



Chipsmall Limited consists of a professional team with an average of over 10 year of expertise in the distribution of electronic components. Based in Hongkong, we have already established firm and mutual-benefit business relationships with customers from,Europe,America and south Asia,supplying obsolete and hard-to-find components to meet their specific needs.

With the principle of “Quality Parts,Customers Priority,Honest Operation,and Considerate Service”,our business mainly focus on the distribution of electronic components. Line cards we deal with include Microchip,ALPS,ROHM,Xilinx,Pulse,ON,Everlight and Freescale. Main products comprise IC,Modules,Potentiometer,IC Socket,Relay,Connector.Our parts cover such applications as commercial,industrial, and automotives areas.

We are looking forward to setting up business relationship with you and hope to provide you with the best service and solution. Let us make a better world for our industry!



## Contact us

Tel: +86-755-8981 8866 Fax: +86-755-8427 6832

Email & Skype: info@chipsmall.com Web: www.chipsmall.com

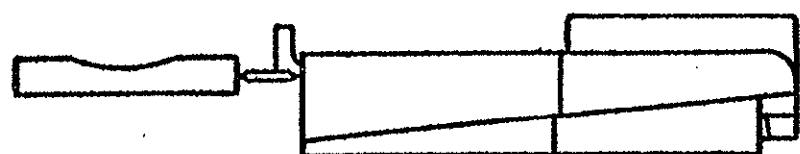
Address: A1208, Overseas Decoration Building, #122 Zhenhua RD., Futian, Shenzhen, China



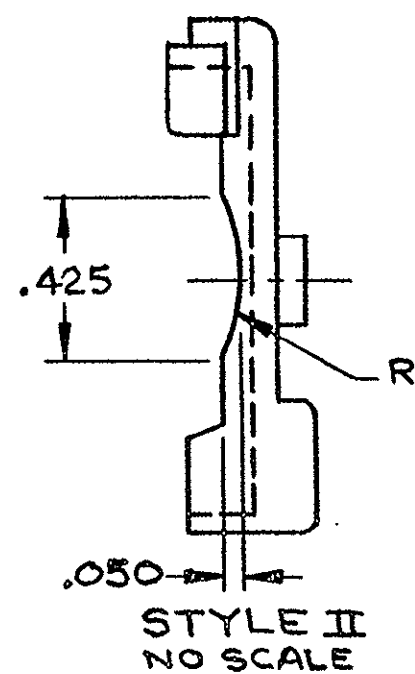
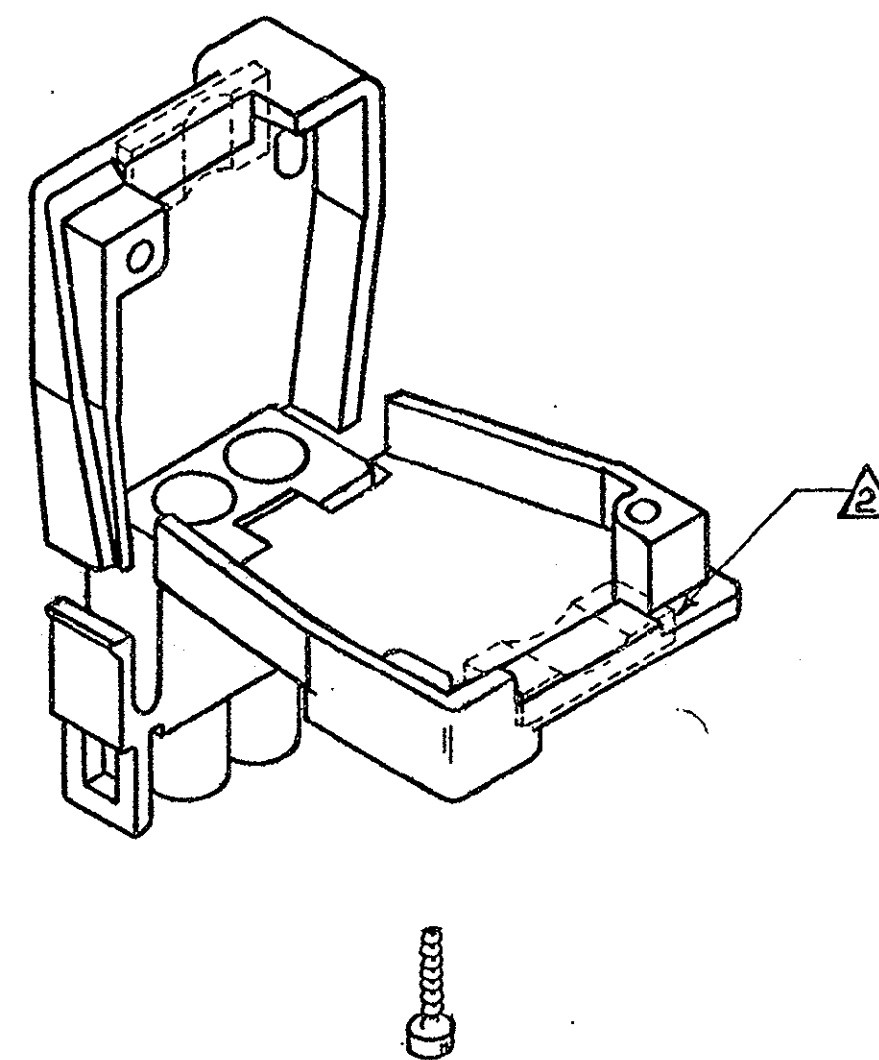
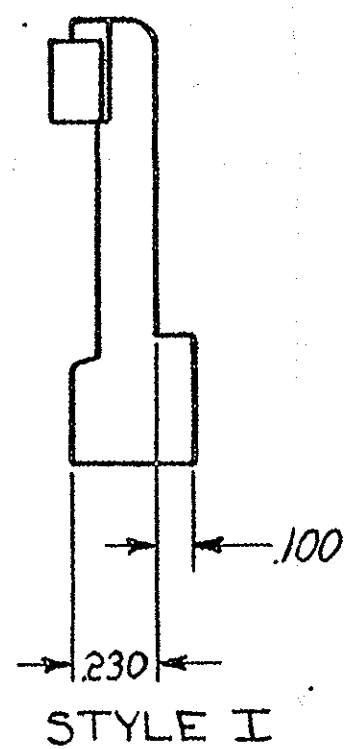
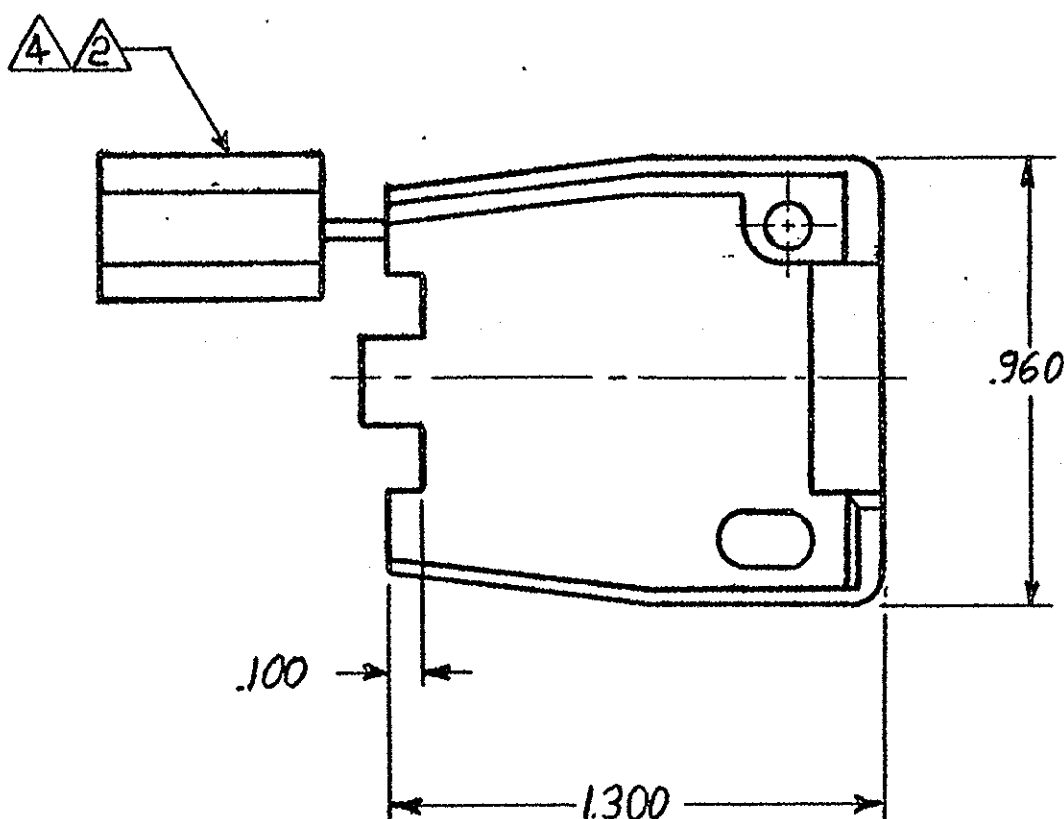
© COPYRIGHT

REVISIONS						
P	F	ZONE	LTR	DESCRIPTION	DATE	APPROVED
		D1		REVISED PER ECO-11-005294	07APR11	HMR

- 1 SHEET METAL SCREWS NOT SUPPLIED.
- 2 INSERT IS ATTACHED TO STRAIN RELIEF. AS AN ADDITIONAL ADJUSTMENT FOR SMALL WIRE BUNDLES, IT SHOULD BE CUT OFF AND POSITIONED AS SHOWN BY DOTTED LINES.
- 3 TWO REQUIRED PER CONNECTOR.
- 4 STYLE II DOES NOT INCLUDE INSERT.
- 5. DETACHABLE INSERT MAY SEPARATE FROM STRAIN RELIEF BODY DURING SHIPPING.



(2 REQ'D) #6 x .375 LG. TYPE "B" PAN HEAD SHEET METAL SCREW 1



	WIRE BUNDLE
WITHOUT INSERT	MAX 2 @ .190 DIA
WITH INSERT	MIN 2 @ .040 DIA

UNLESS OTHERWISE SPECIFIED DIMENSIONS ARE IN INCHES.  
TOLERANCES ON:  
DECIMALS ± .015  
ANGLES

MATERIAL  
SEE TABLE

FINISH  
SEE TABLE

CONTRACT NO  
DR CERISMAN 10-25-78  
CHK D.S. Heide 11/1/78  
APPD J.C.M. 11-1-78  
APPD

DSGN APPD  
OTHER APPD

STYLE	MATERIAL	PART NO
II	NYLON 94V-0	640713-2
I	NYLON 94V-0	640713-1

**STE** TE Connectivity

NAME  
STRAIN RELIEF AND INSERT,  
2 CIRCUIT, UNIVERSAL MATE-N-LOK™

SIZE CODE IDENT NO DRAWING NO  
C 00779 640713

SCALE NTS SHEET 1 OF 1

D-0651E-2823 SW 2-

640713