



Chipsmall Limited consists of a professional team with an average of over 10 year of expertise in the distribution of electronic components. Based in Hongkong, we have already established firm and mutual-benefit business relationships with customers from,Europe,America and south Asia,supplying obsolete and hard-to-find components to meet their specific needs.

With the principle of “Quality Parts,Customers Priority,Honest Operation,and Considerate Service”,our business mainly focus on the distribution of electronic components. Line cards we deal with include Microchip,ALPS,ROHM,Xilinx,Pulse,ON,Everlight and Freescale. Main products comprise IC,Modules,Potentiometer,IC Socket,Relay,Connector.Our parts cover such applications as commercial,industrial, and automotives areas.

We are looking forward to setting up business relationship with you and hope to provide you with the best service and solution. Let us make a better world for our industry!



Contact us

Tel: +86-755-8981 8866 Fax: +86-755-8427 6832

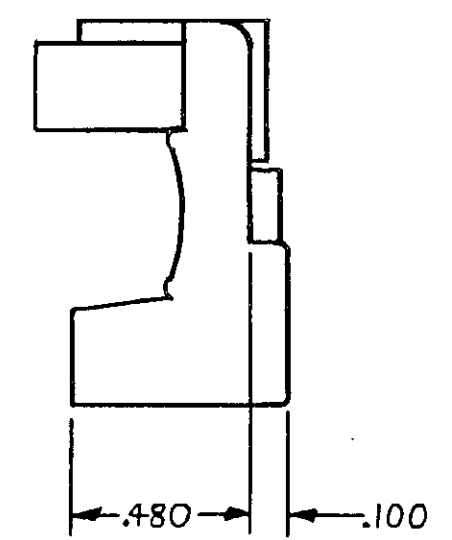
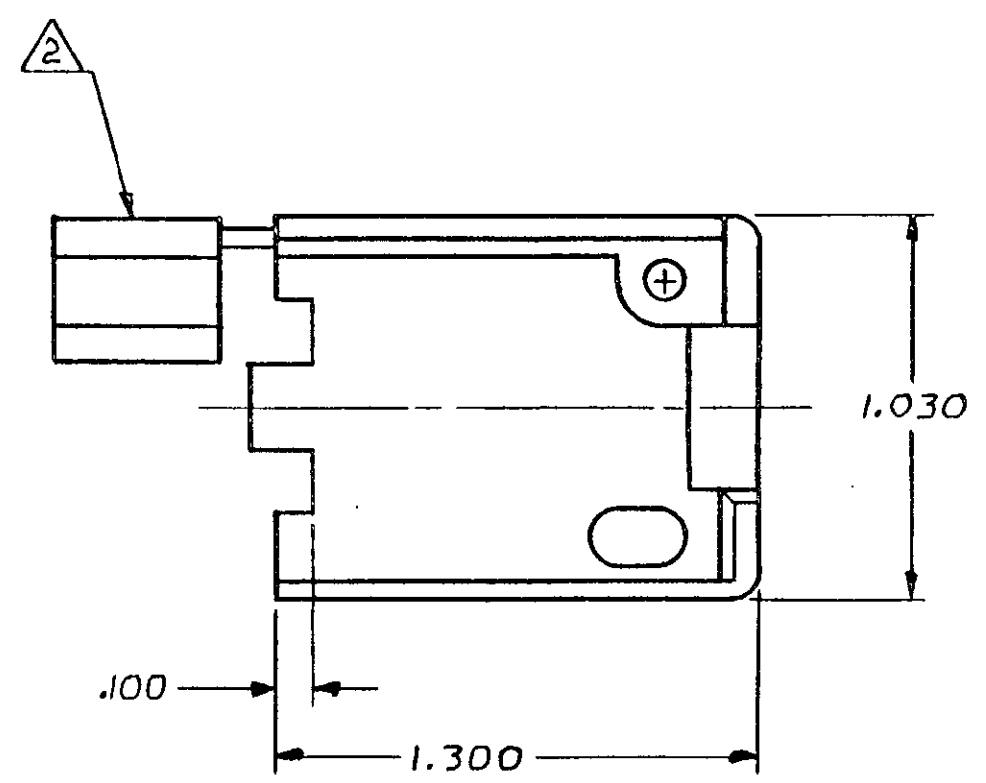
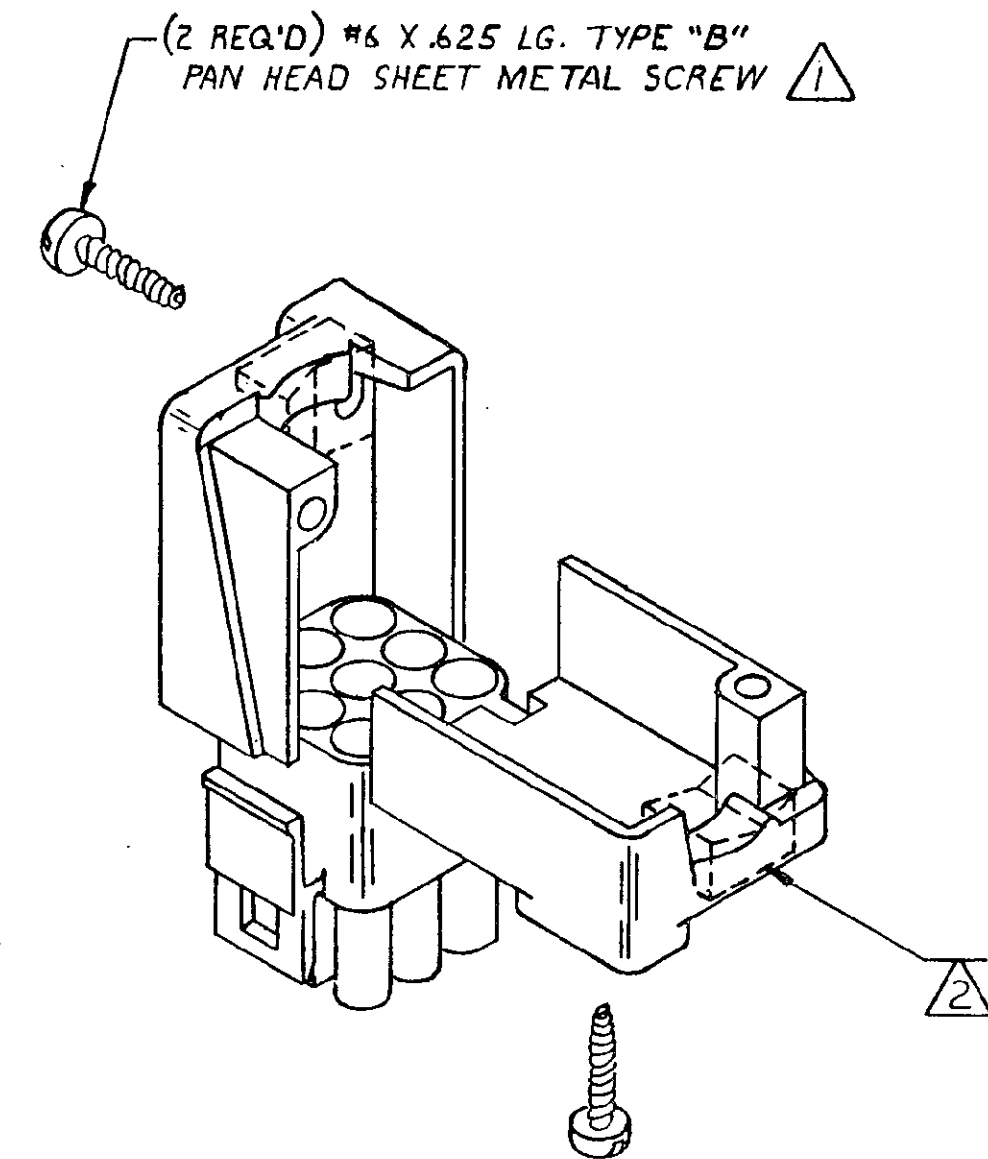
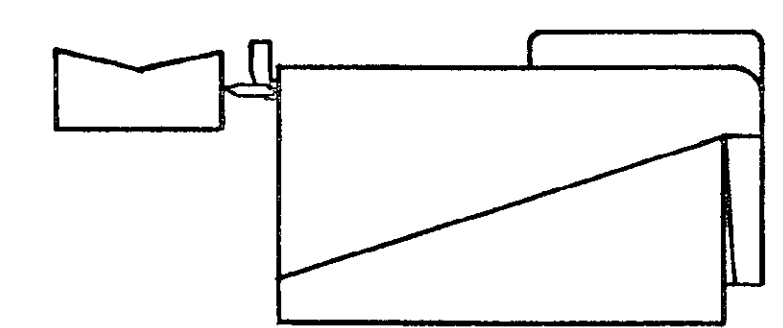
Email & Skype: info@chipsmall.com Web: www.chipsmall.com

Address: A1208, Overseas Decoration Building, #122 Zhenhua RD., Futian, Shenzhen, China



REVISIONS						
P	F	ZONE	LTR	DESCRIPTION	DATE	APPROVED
✓	✓		C1	REVISED PER ECO-11-005294	12APR11	HMR

- ⚠ SHEET METAL SCREWS NOT SUPPLIED.
 - ⚠ INSERT IS ATTACHED TO STRAIN RELIEF AS AN ADDITIONAL ADJUSTMENT FOR SMALL WIRE BUNDLES, IT SHOULD BE CUT OFF AND POSITIONED AS SHOWN BY DOTTED LINES.
 - ⚠ TWO REQUIRED PER CONNECTOR.
4. DETACHABLE INSERT MAY SEPARATE FROM STRAIN RELIEF BODY DURING SHIPPING.



	WIRE BUNDLE DIA
WITHOUT INSERT	.650 MAX.
WITH INSERT	.120 MIN.

UNLESS OTHERWISE SPECIFIED DIMENSIONS ARE IN INCHES.
 TOLERANCES ON:
 DECIMALS ±.015
 ANGLES ±

MATERIAL
 SEE TABLE

FINISH
 SEE TABLE

CONTRACT NO

DR
 M. FEHER 3-12-79

CHK
 D.S. Heide 3/22/79

APPD
 J.C. Smith 3-22-79

DSGN APPD

OTHER APPD

NYLON 94V-0		640716-1	3
MATERIAL		PART NC	
STE TE Connectivity			
NAME STRAIN RELIEF FOR 9 CIRCUIT UNIVERSAL MATE-N-LOK™ CONNECTOR			
SIZE	CODE IDENT NO	DRAWING NO	
C	00779	640716	
SCALE 2-1		SHEET 1 OF 1	