



Chipsmall Limited consists of a professional team with an average of over 10 year of expertise in the distribution of electronic components. Based in Hongkong, we have already established firm and mutual-benefit business relationships with customers from,Europe,America and south Asia,supplying obsolete and hard-to-find components to meet their specific needs.

With the principle of “Quality Parts,Customers Priority,Honest Operation,and Considerate Service”,our business mainly focus on the distribution of electronic components. Line cards we deal with include Microchip,ALPS,ROHM,Xilinx,Pulse,ON,Everlight and Freescale. Main products comprise IC,Modules,Potentiometer,IC Socket,Relay,Connector.Our parts cover such applications as commercial,industrial, and automotives areas.

We are looking forward to setting up business relationship with you and hope to provide you with the best service and solution. Let us make a better world for our industry!



## Contact us

Tel: +86-755-8981 8866 Fax: +86-755-8427 6832

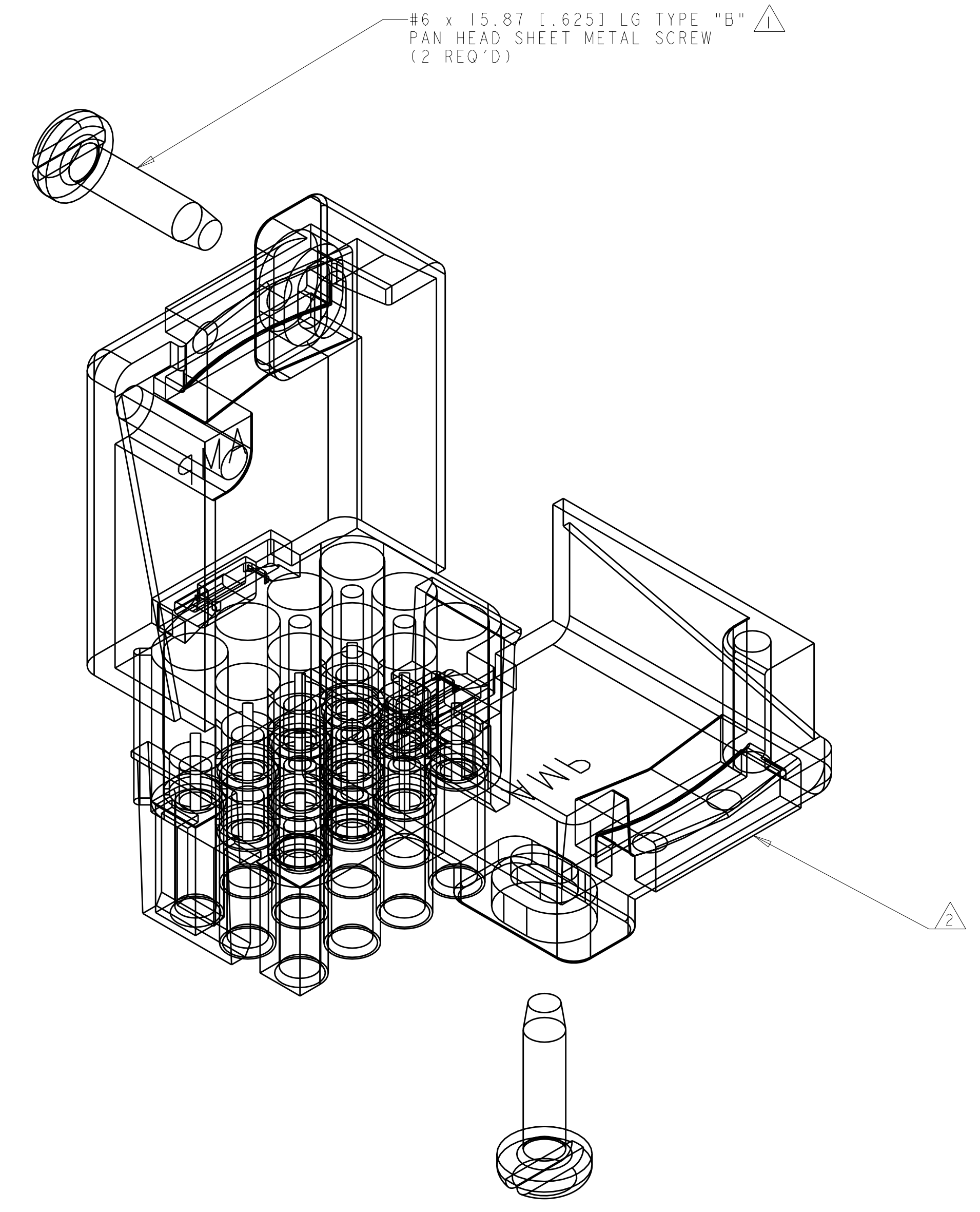
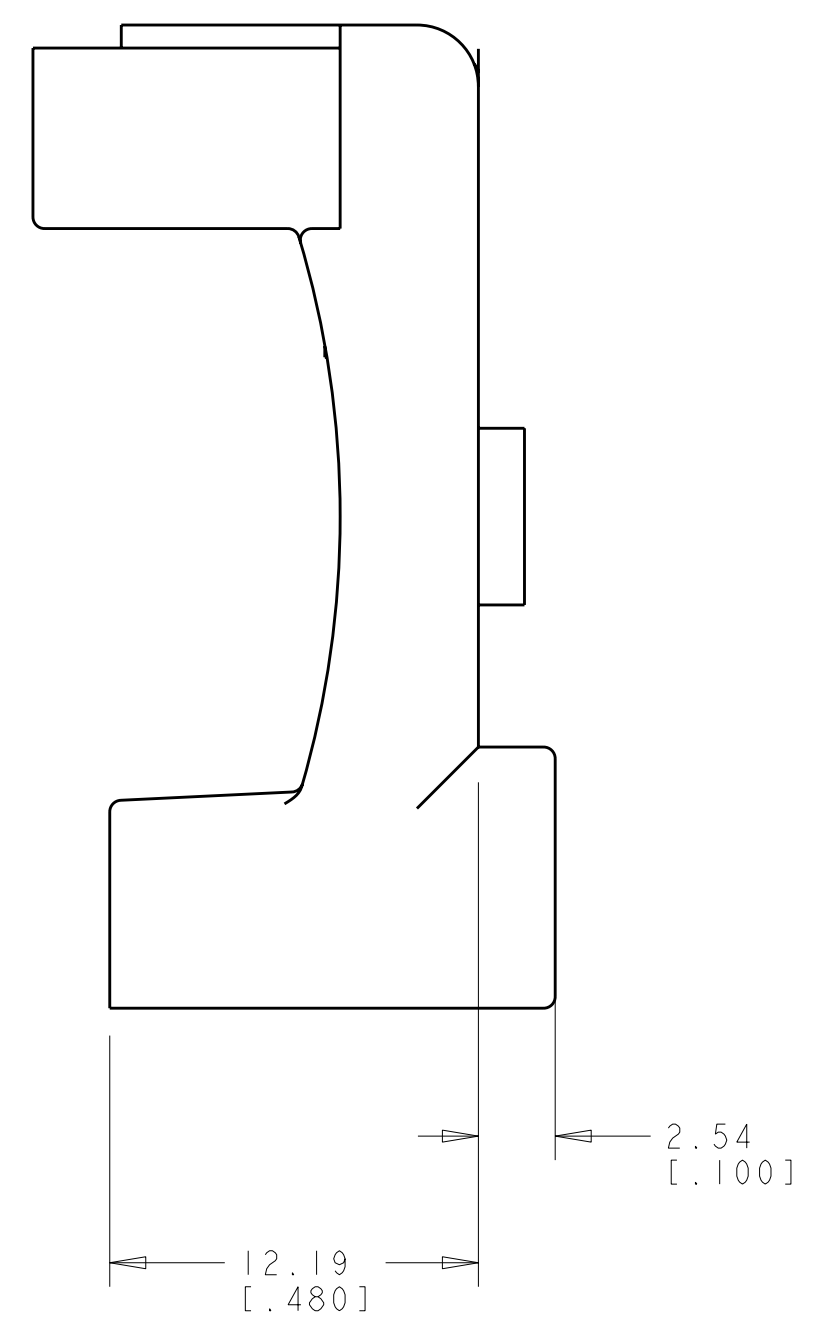
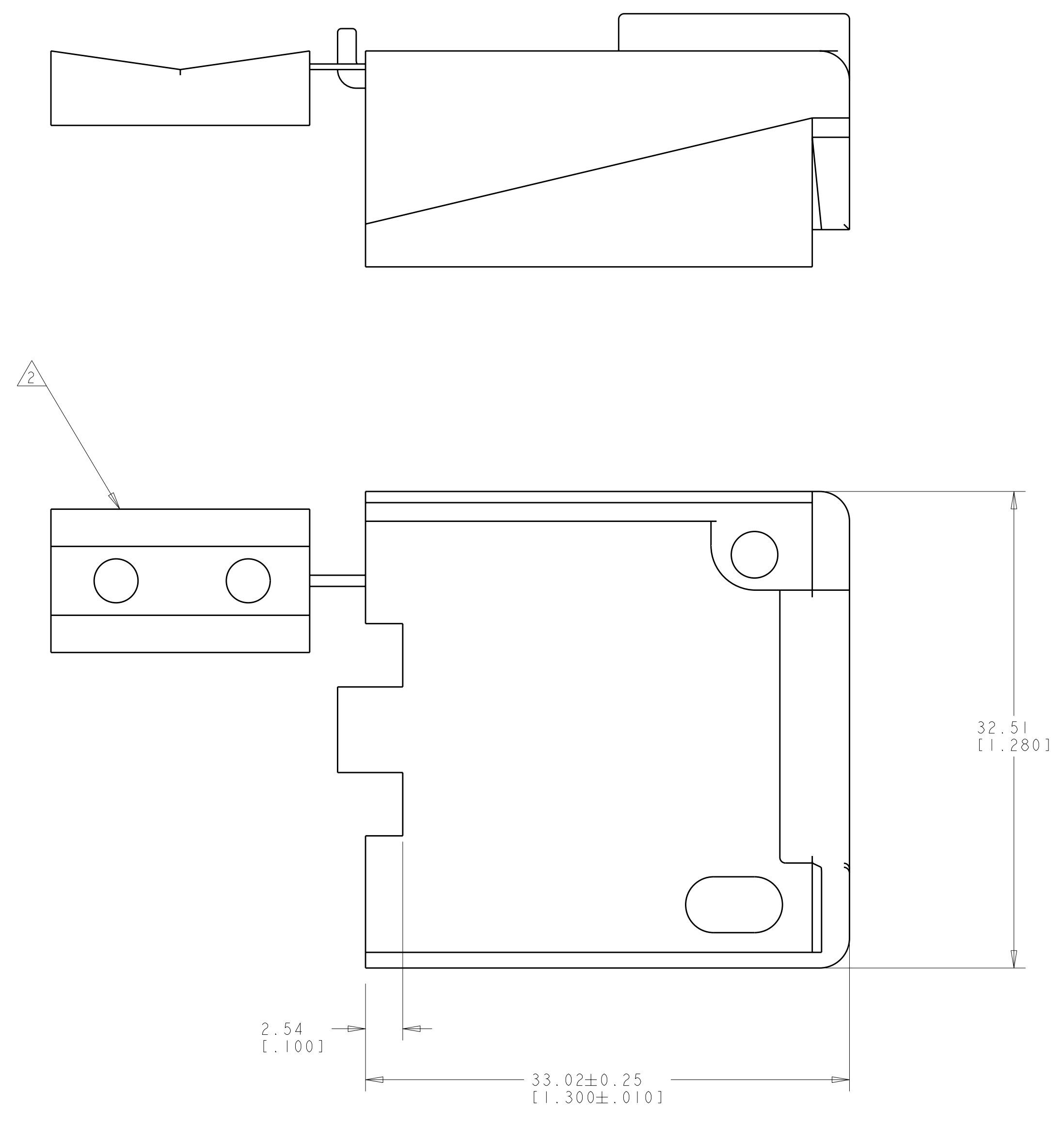
Email & Skype: info@chipsmall.com Web: www.chipsmall.com

Address: A1208, Overseas Decoration Building, #122 Zhenhua RD., Futian, Shenzhen, China



LOC	DIST	REV	DATE	BY	APPD
CM	00	C1	28AUG2006	KW	SR

- 1 SHEET METAL SCREWS NOT SUPPLIED.
- 2 INSERT IS ATTACHED TO STRAIN RELIEF AS AN ADDITIONAL ADJUSTMENT FOR SMALL WIRE BUNDLES. IT SHOULD BE CUT OFF AND POSITIONED AS SHOWN.
- 3 TWO REQUIRED PER CONNECTOR.
- 4 DETACHABLE INSERT MAY SEPARATE FROM STRAIN RELIEF BODY DURING SHIPPING.



	WIRE BUNDLE DIAMETER
WITHOUT INSERT	19.05 [.750] MAX
WITH INSERT	3.81 [.150] MAX

COLOR	MATERIAL	PART NUMBER
BLACK	NYLON UL94V-0	640717-2
NATURAL	NYLON UL94V-0	640717-1



DIMENSIONS: mm [INCHES] TOLERANCES UNLESS OTHERWISE SPECIFIED: 9 PLC ± 5 PLC ±0.13 [1.005] 4 PLC ± ANGLES ±40° 30'		DWN: K. WHITAKER 28AUG2006 CHK: S. RIDGILL 28AUG2006 APVD: S. RIDGILL 28AUG2006	Tyco Electronics Harrisburg, PA 17105-3608
MATERIAL: SEE TABLE		PRODUCT SPEC: APPLICATION SPEC: WEIGHT: FINISH:	NAME: STRAIN RELIEF AND INSERT, 12 CIRCUIT, UNIVERSAL MATE-N-LOK(TM) SIZE: A1 CAGE CODE: 00779 DRAWING NO: C-640717 RESTRICTED TO: C1
CUSTOMER DRAWING			SCALE: 4:1 SHEET: 1 OF 1 REV: C1