



Chipsmall Limited consists of a professional team with an average of over 10 year of expertise in the distribution of electronic components. Based in Hongkong, we have already established firm and mutual-benefit business relationships with customers from,Europe,America and south Asia,supplying obsolete and hard-to-find components to meet their specific needs.

With the principle of “Quality Parts,Customers Priority,Honest Operation,and Considerate Service”,our business mainly focus on the distribution of electronic components. Line cards we deal with include Microchip,ALPS,ROHM,Xilinx,Pulse,ON,Everlight and Freescale. Main products comprise IC,Modules,Potentiometer,IC Socket,Relay,Connector.Our parts cover such applications as commercial,industrial, and automotives areas.

We are looking forward to setting up business relationship with you and hope to provide you with the best service and solution. Let us make a better world for our industry!



## Contact us

Tel: +86-755-8981 8866 Fax: +86-755-8427 6832

Email & Skype: info@chipsmall.com Web: www.chipsmall.com

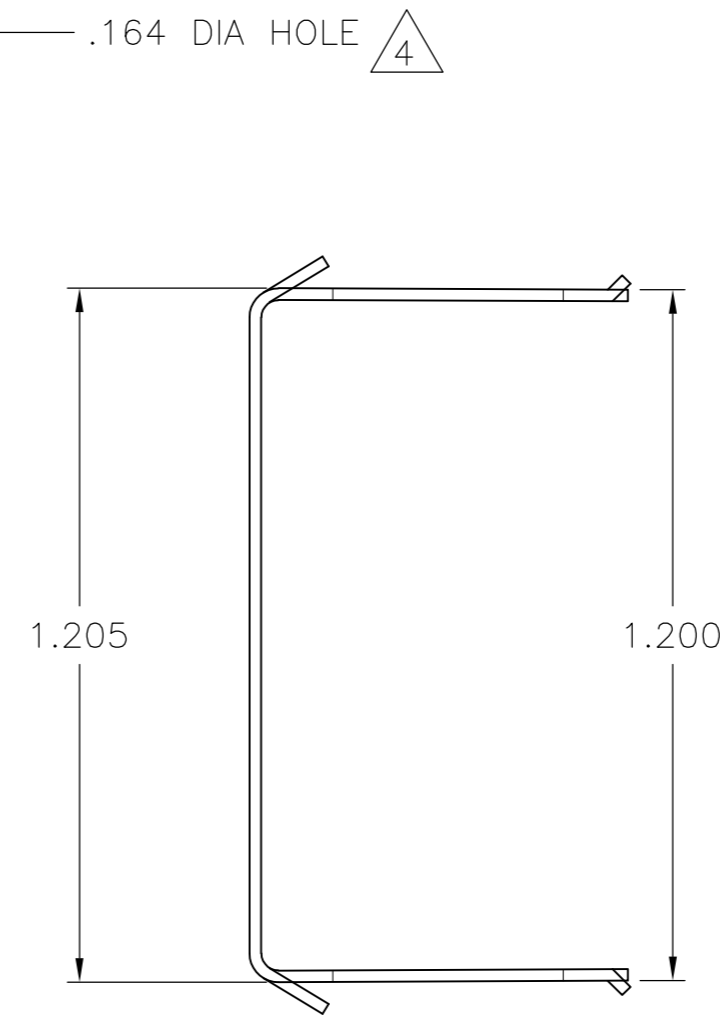
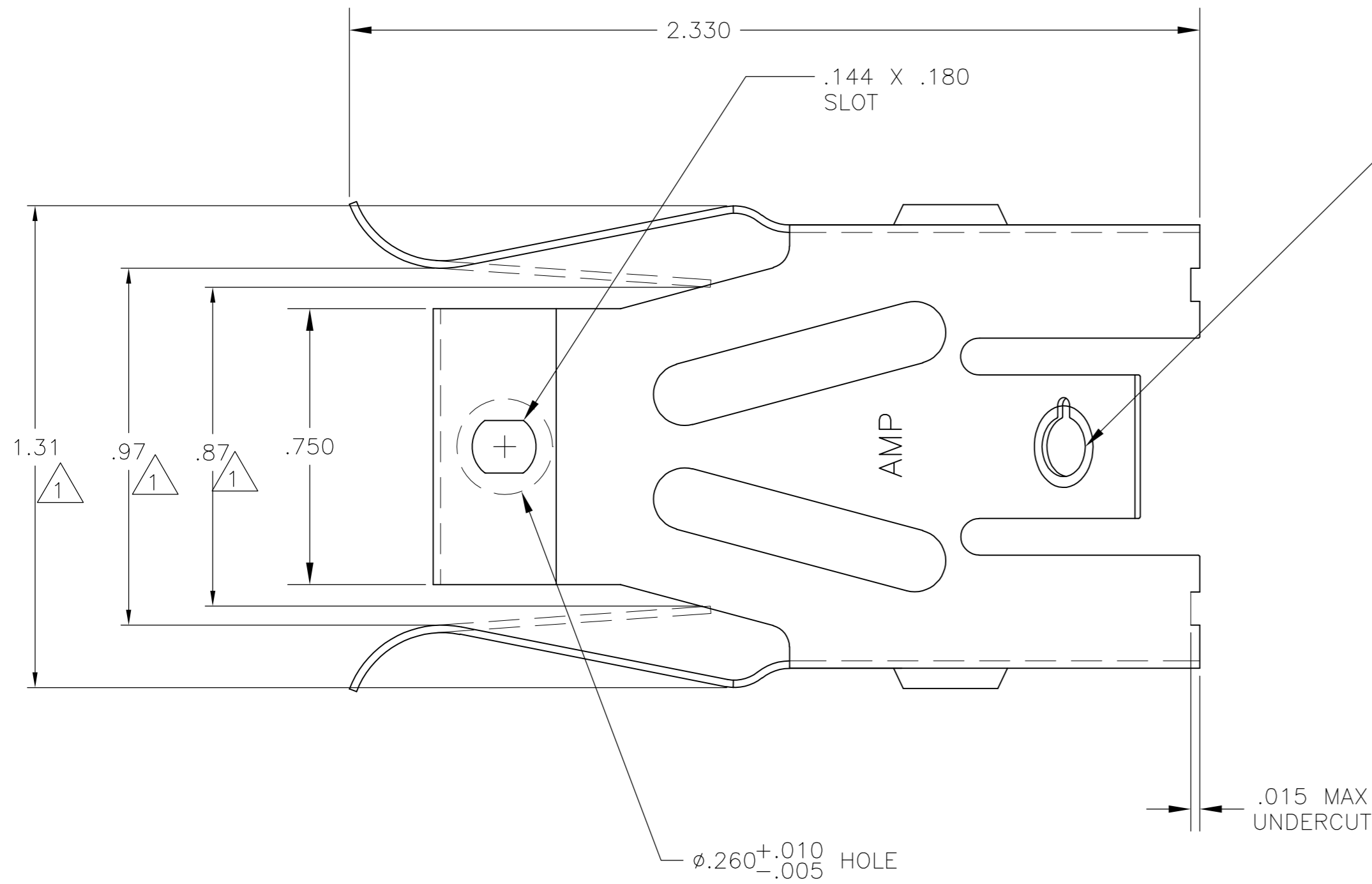
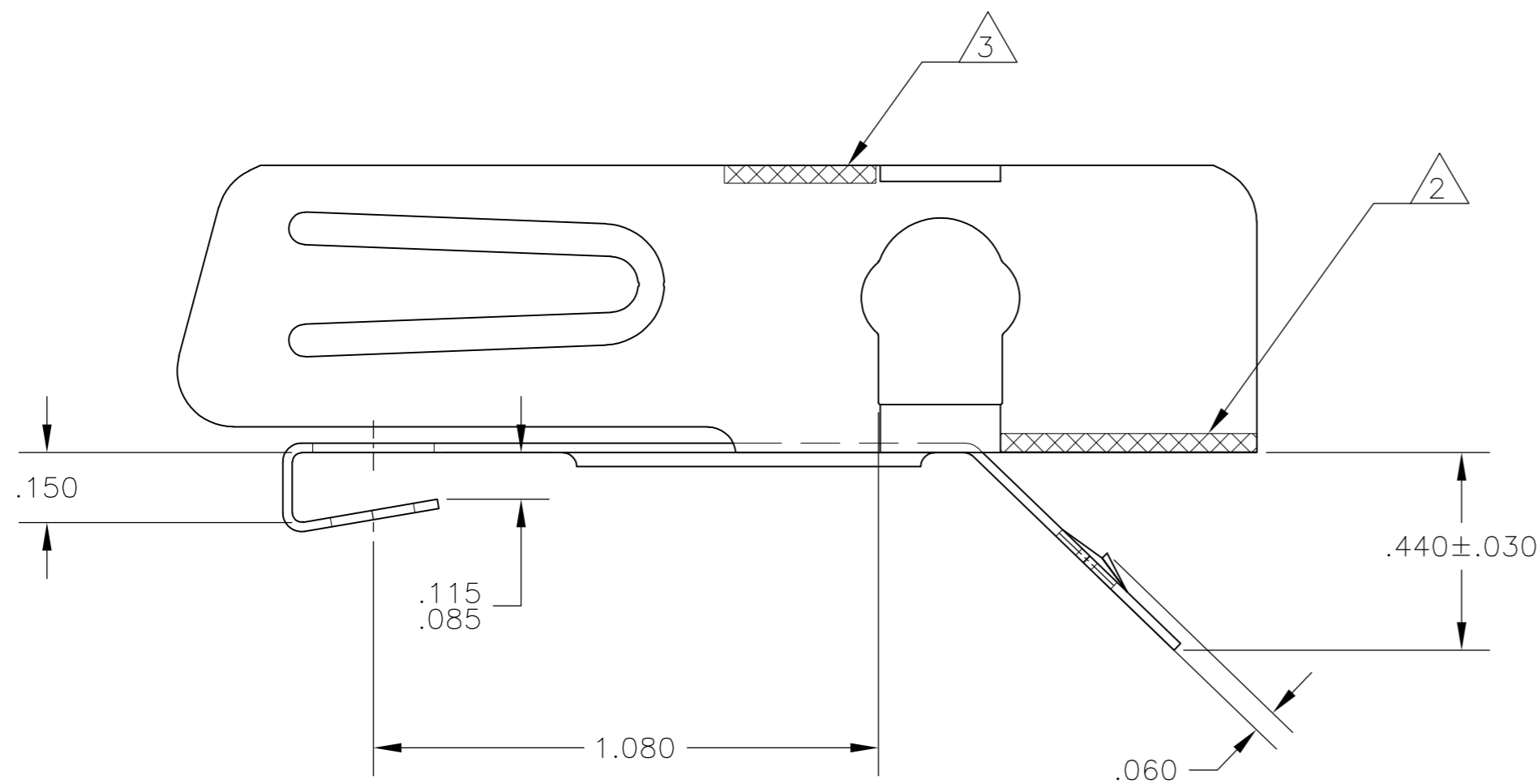
Address: A1208, Overseas Decoration Building, #122 Zhenhua RD., Futian, Shenzhen, China



THIS DRAWING IS UNPUBLISHED. RELEASED FOR PUBLICATION  
 © COPYRIGHT BY TYCO ELECTRONICS CORPORATION. ALL RIGHTS RESERVED.

LOC	DIST	REVISIONS			
P	LTR	DESCRIPTION	DATE	DWN	APVD
AF	50	AA1	REVISED PER ECR-08-006534	04APR08	HMR GJ

- 1 DIMENSIONS TO BE CHECKED WHEN SIDES ARE PARALLEL WITH 1.205 DIMENSION.
- 2 1.205 DIMENSION TO BE HELD IN THIS AREA.
- 3 1.200 DIMENSION TO BE HELD IN THIS AREA.
- 4 FOR 10-32 MACHINE SCREW.
- 5 .020±.001 1/4 HARD STAINLESS STEEL.



640750-1  
 PART NUMBER

THIS DRAWING IS A CONTROLLED DOCUMENT.		DWN M.S. FEHER 200CT2003	Tyco Electronics Corporation Harrisburg, PA 17105-3608	
DIMENSIONS: INCHES		CHK D.F. DECKER 200CT2003	NAME D.F. DECKER	
TOLERANCES UNLESS OTHERWISE SPECIFIED:		APVD D.F. DECKER 200CT2003	PRODUCT SPEC	
0 PLC ± -		APPLICATION SPEC		
1 PLC ± -		114-1028		
2 PLC ± .03		WEIGHT	SIZE A2	CAGE CODE 00779
3 PLC ± .010		FINISH	DRAWING NO 640750	RESTRICTED TO
4 PLC ± -		CUSTOMER DRAWING		
ANGLES ± 2°		SCALE 3:1	SHEET 1 of 1	REV AA1