



Chipsmall Limited consists of a professional team with an average of over 10 year of expertise in the distribution of electronic components. Based in Hongkong, we have already established firm and mutual-benefit business relationships with customers from,Europe,America and south Asia,supplying obsolete and hard-to-find components to meet their specific needs.

With the principle of “Quality Parts,Customers Priority,Honest Operation,and Considerate Service”,our business mainly focus on the distribution of electronic components. Line cards we deal with include Microchip,ALPS,ROHM,Xilinx,Pulse,ON,Everlight and Freescale. Main products comprise IC,Modules,Potentiometer,IC Socket,Relay,Connector.Our parts cover such applications as commercial,industrial, and automotives areas.

We are looking forward to setting up business relationship with you and hope to provide you with the best service and solution. Let us make a better world for our industry!



Contact us

Tel: +86-755-8981 8866 Fax: +86-755-8427 6832

Email & Skype: info@chipsmall.com Web: www.chipsmall.com

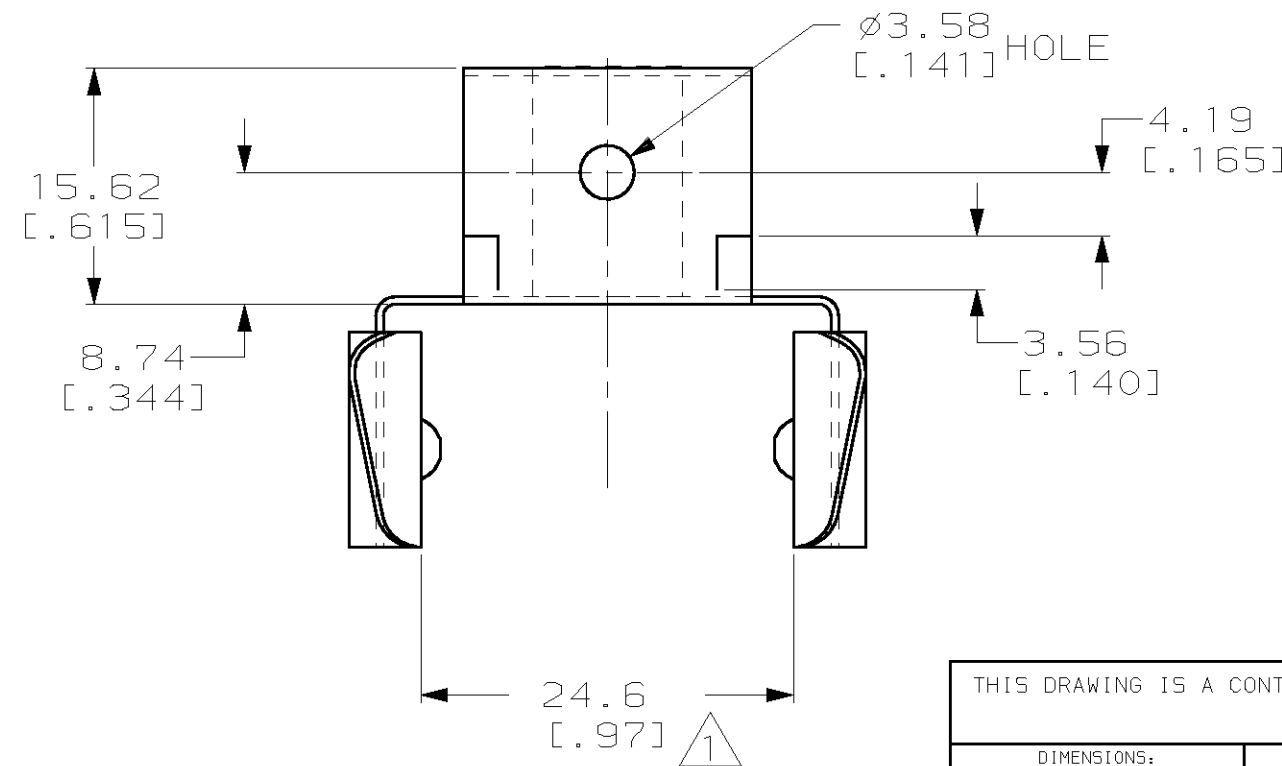
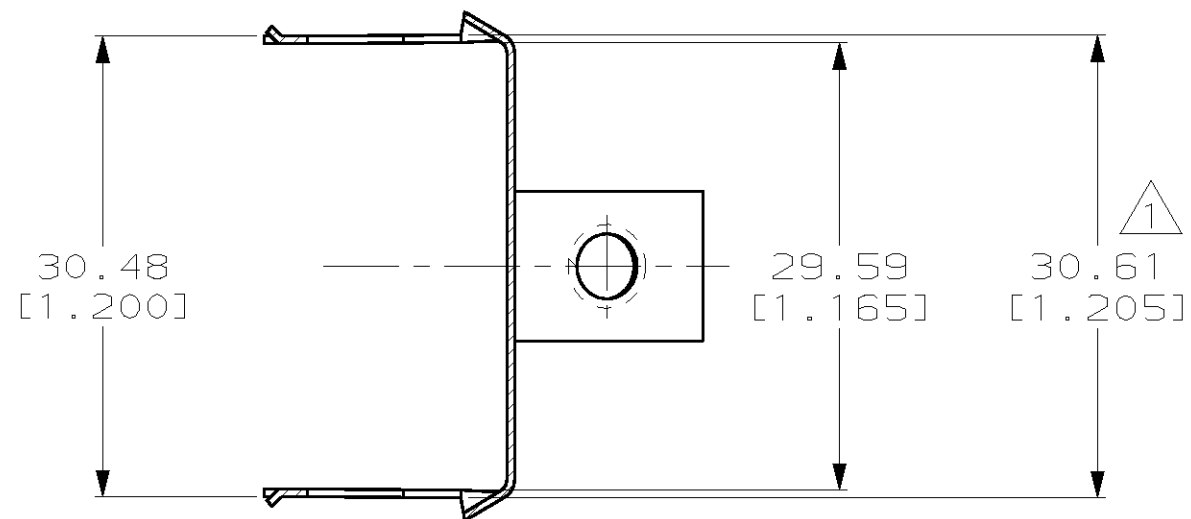
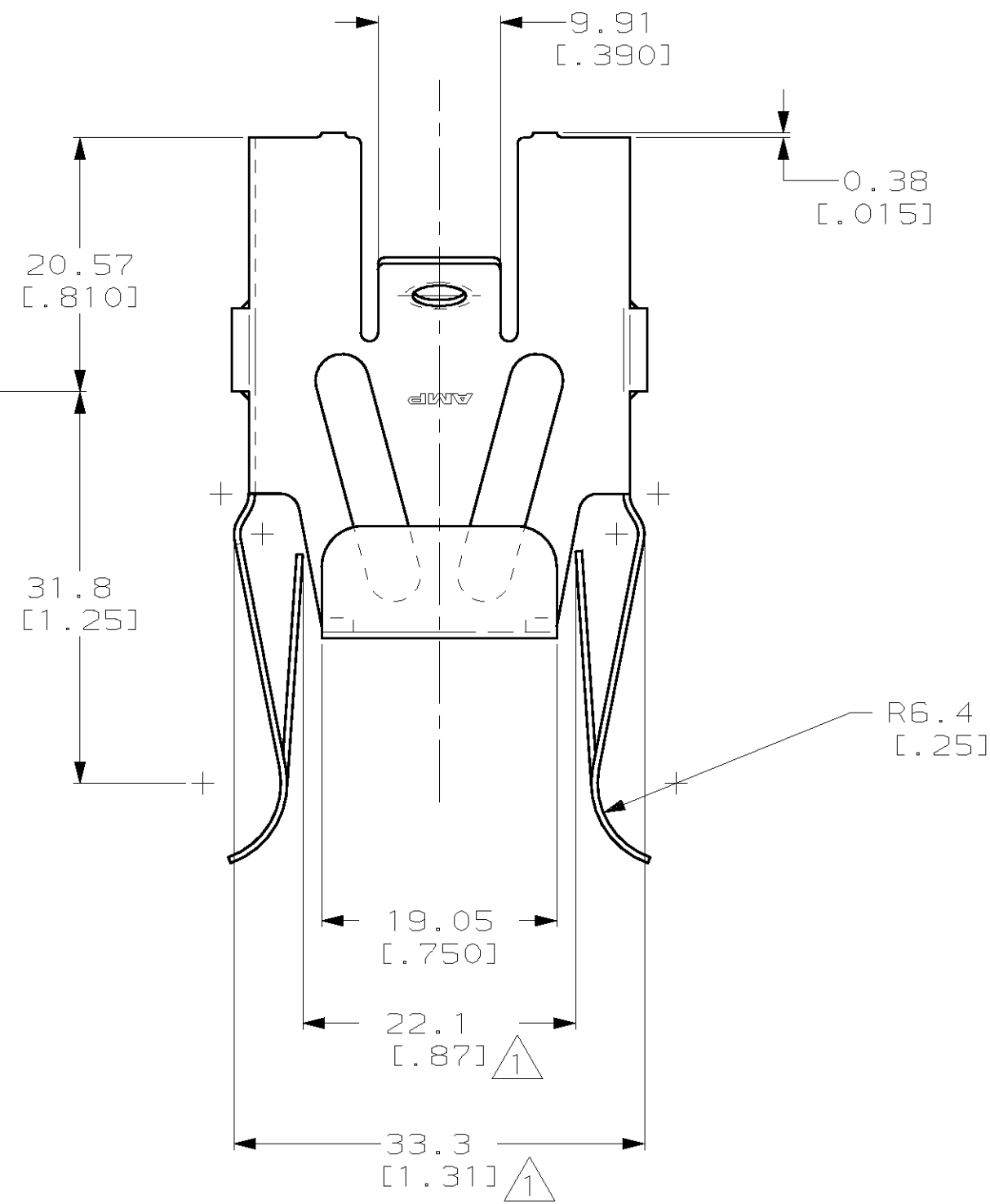
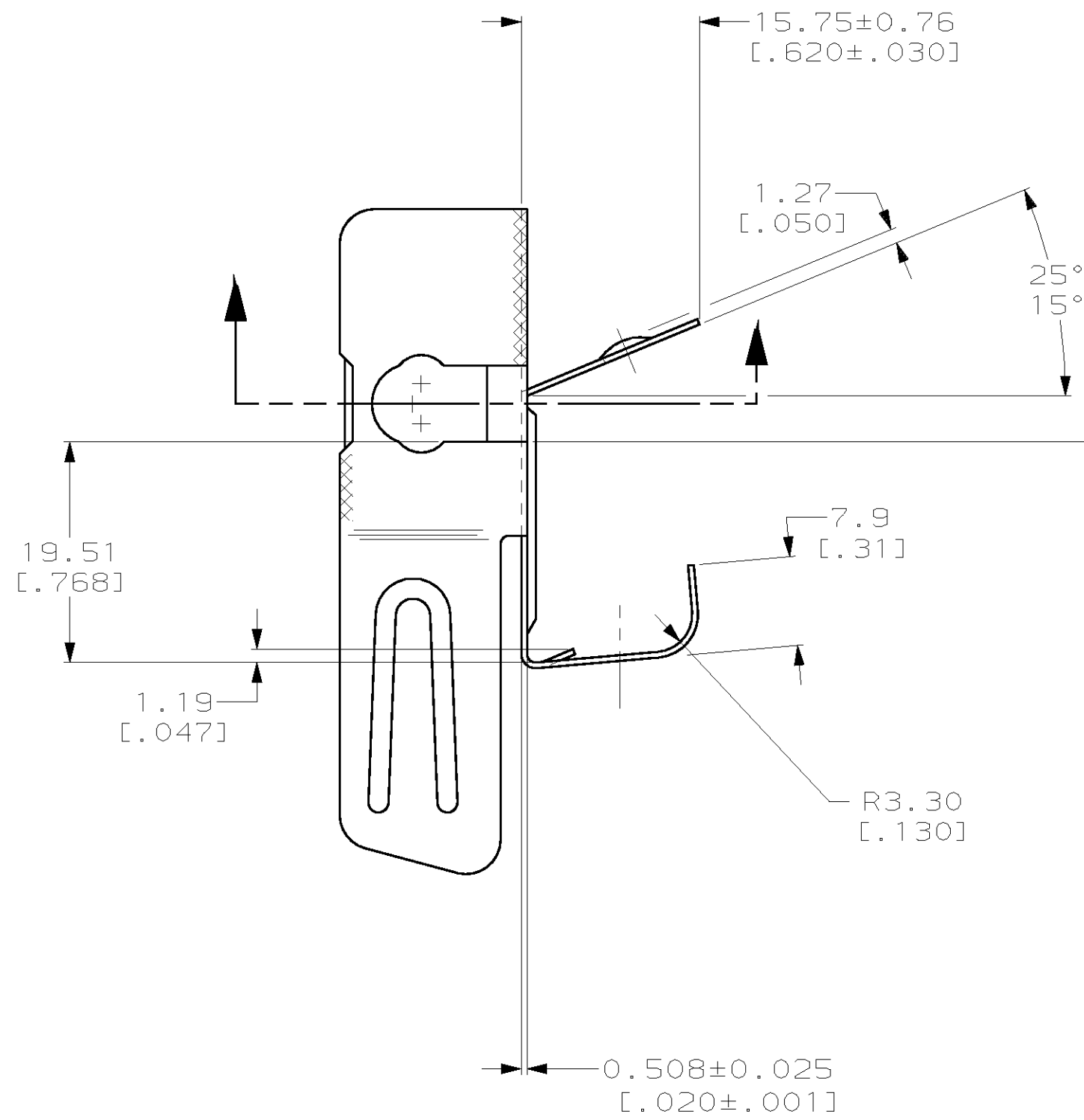
Address: A1208, Overseas Decoration Building, #122 Zhenhua RD., Futian, Shenzhen, China



THIS DRAWING IS UNPUBLISHED. RELEASED FOR PUBLICATION
 BY AMP INCORPORATED. ALL RIGHTS RESERVED.

LOC		DIST		REVISIONS			
P	LTR	DESCRIPTION	DATE	DWN	APVD		
AF	50	REL PER 063A-0640-01	20NOV01	JR	DD		

- 1 DIMENSION TO BE CHECKED WHEN SIDES ARE PARRALLEL WITH [1.215] DIM.
- 2 10-32 MACHINE SCREW.



640751-1
PART NO.

THIS DRAWING IS A CONTROLLED DOCUMENT.		DWN 14FEB2001 MICHAEL S. FEHER	AMP AMP Incorporated Harrisburg, PA 17105-3608
DIMENSIONS: MM [INCHES]		CHK 14FEB2001 DONALD DECKER	
TOLERANCES UNLESS OTHERWISE SPECIFIED:		APVD 14FEB2001 DONALD DECKER	NAME CLIP, CONNECTOR, HEAVY DUTY BURNER
0 PLC ±-	1 PLC ±-	PRODUCT SPEC	SIZE CAGE CODE DRAWING NO RESTRICTED TO
2 PLC ±0.8 [.03]	3 PLC ±0.25 [.010]	APPLICATION SPEC	A2 00779 C- 640751
4 PLC ±-	ANGLES ±-	WEIGHT	SCALE 2:1 SHEET 1 OF 1 REV AF
MATERIAL 1/4HARD STAINLESS STEEL	FINISH -	CUSTOMER DRAWING	

640751

A