



Chipsmall Limited consists of a professional team with an average of over 10 year of expertise in the distribution of electronic components. Based in Hongkong, we have already established firm and mutual-benefit business relationships with customers from,Europe,America and south Asia,supplying obsolete and hard-to-find components to meet their specific needs.

With the principle of “Quality Parts,Customers Priority,Honest Operation,and Considerate Service”,our business mainly focus on the distribution of electronic components. Line cards we deal with include Microchip,ALPS,ROHM,Xilinx,Pulse,ON,Everlight and Freescale. Main products comprise IC,Modules,Potentiometer,IC Socket,Relay,Connector.Our parts cover such applications as commercial,industrial, and automotives areas.

We are looking forward to setting up business relationship with you and hope to provide you with the best service and solution. Let us make a better world for our industry!



Contact us

Tel: +86-755-8981 8866 Fax: +86-755-8427 6832

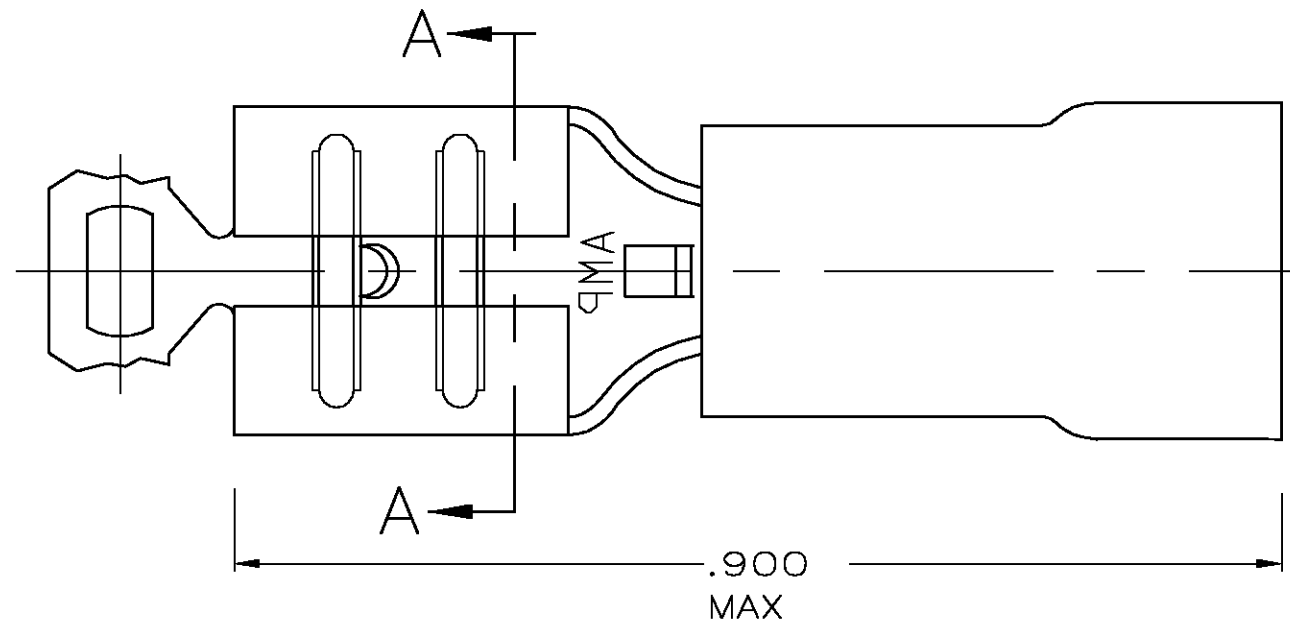
Email & Skype: info@chipsmall.com Web: www.chipsmall.com

Address: A1208, Overseas Decoration Building, #122 Zhenhua RD., Futian, Shenzhen, China

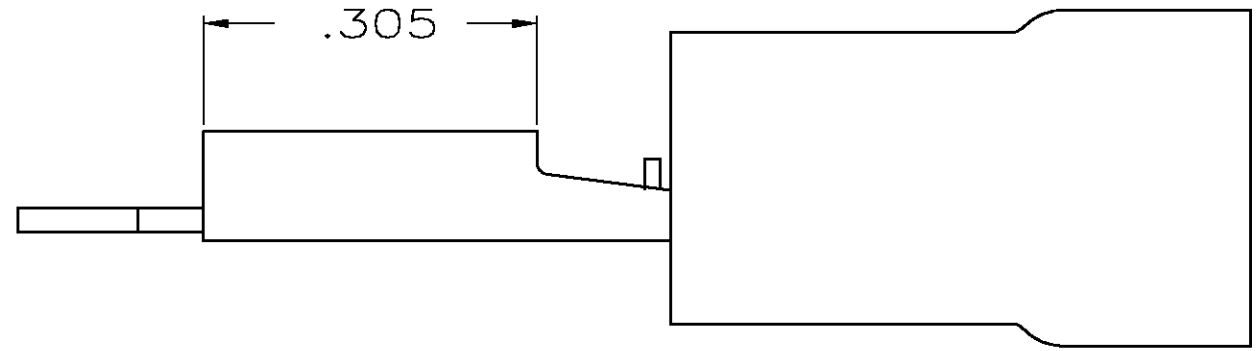


THIS DRAWING IS UNPUBLISHED. RELEASED FOR PUBLICATION
 © COPYRIGHT BY TYCO ELECTRONICS CORPORATION. ALL RIGHTS RESERVED.

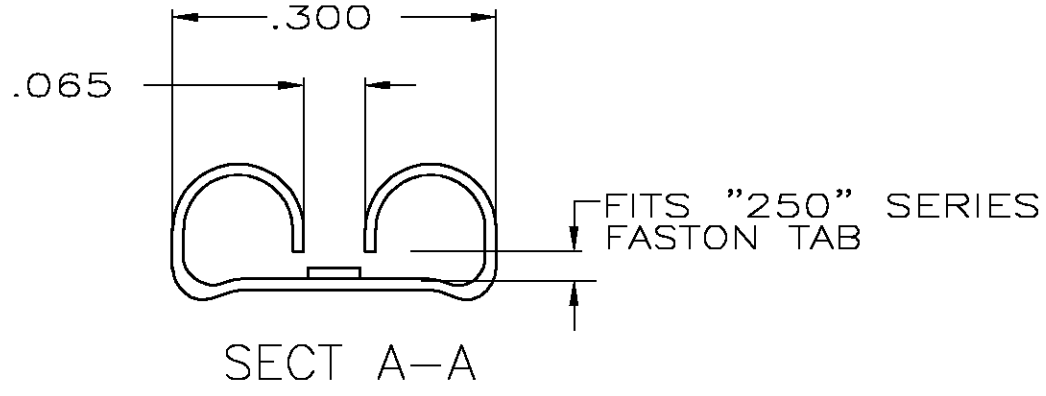
LOC	DIST	REVISIONS				
P	LTR	DESCRIPTION	DATE	DWN	APVD	
G	14	CE	REV PER 0G3A-0319-03	27MAY03	JR TM	



- 1. INSULATION DIA .140 MAX
- 2. FITS TAB .032 THK



AMP WIRE RANGE	FILE	LR7189 Certified
22-18 AWG STRANDED	E66717	
22-18 AWG STRANDED	22-18 AWG STRANDED	22-18 AWG STRANDED



-	-	640902-1
QTY	PACKAGE TYPE	PART NO

AMP INCORPORATED
CUSTOMER SERVICE SYSTEMS

FOR ADDITIONAL PRODUCT INFORMATION OR COPIES OF DRAWINGS AND TECHNICAL DOCUMENTS	PRODUCT INFORMATION CENTER 1-800-522-6752
FOR APPLICATION TOOLING INFORMATION	TOOLING ASSISTANCE CENTER 1-800-722-1111
FOR ORDER ENTRY	1-800-526-5142

MAX RECOMMENDED OPERATING TEMPERATURE:
105° C

VOLTAGE RATING:
300V MAX

CIRCULAR MIL AREA:
509-1,900
STRANDED

THIS DRAWING IS A CONTROLLED DOCUMENT.

DIMENSIONS:	TOLERANCES UNLESS OTHERWISE SPECIFIED:
INCHES	
	0 PLC ± -
	1 PLC ± -
	2 PLC ± .015
	3 PLC ± -
	4 PLC ± -
	ANGLES ± -

MATERIAL: BODY, BRASS .018

FINISH: BODY, TIN

DWN: L OLMEDA 26JUN95
 CHK: M ELLIS 26JUN95
 APVD: B BARE 26JUN95

tyco Electronics Tyco Electronics Corporation
 Harrisburg, PA 17105

NAME: RECEPTACLE, 250 SERIES, FASTON, PIDG, 22-18

PRODUCT SPEC: UL 310

APPLICATION SPEC: 114-1002

WEIGHT: -

SIZE: A3 CAGE CODE: 00779 DRAWING NO: 640902 RESTRICTED TO: -

CUSTOMER DRAWING SCALE: 6:1 SHEET: 1 OF 1 REV: CE