



Chipsmall Limited consists of a professional team with an average of over 10 year of expertise in the distribution of electronic components. Based in Hongkong, we have already established firm and mutual-benefit business relationships with customers from,Europe,America and south Asia,supplying obsolete and hard-to-find components to meet their specific needs.

With the principle of “Quality Parts,Customers Priority,Honest Operation,and Considerate Service”,our business mainly focus on the distribution of electronic components. Line cards we deal with include Microchip,ALPS,ROHM,Xilinx,Pulse,ON,Everlight and Freescale. Main products comprise IC,Modules,Potentiometer,IC Socket,Relay,Connector.Our parts cover such applications as commercial,industrial, and automotives areas.

We are looking forward to setting up business relationship with you and hope to provide you with the best service and solution. Let us make a better world for our industry!



Contact us

Tel: +86-755-8981 8866 Fax: +86-755-8427 6832

Email & Skype: info@chipsmall.com Web: www.chipsmall.com

Address: A1208, Overseas Decoration Building, #122 Zhenhua RD., Futian, Shenzhen, China



THIS DRAWING IS UNPUBLISHED. RELEASED FOR PUBLICATION
 © COPYRIGHT - By - ALL RIGHTS RESERVED.

LOC	DIST	REVISIONS					
		P	LTR	DESCRIPTION	DATE	DWN	APVD
G	14		J2	REVISED PER ECO-11-004587	11MAR11	RK	HMR

D

D

C

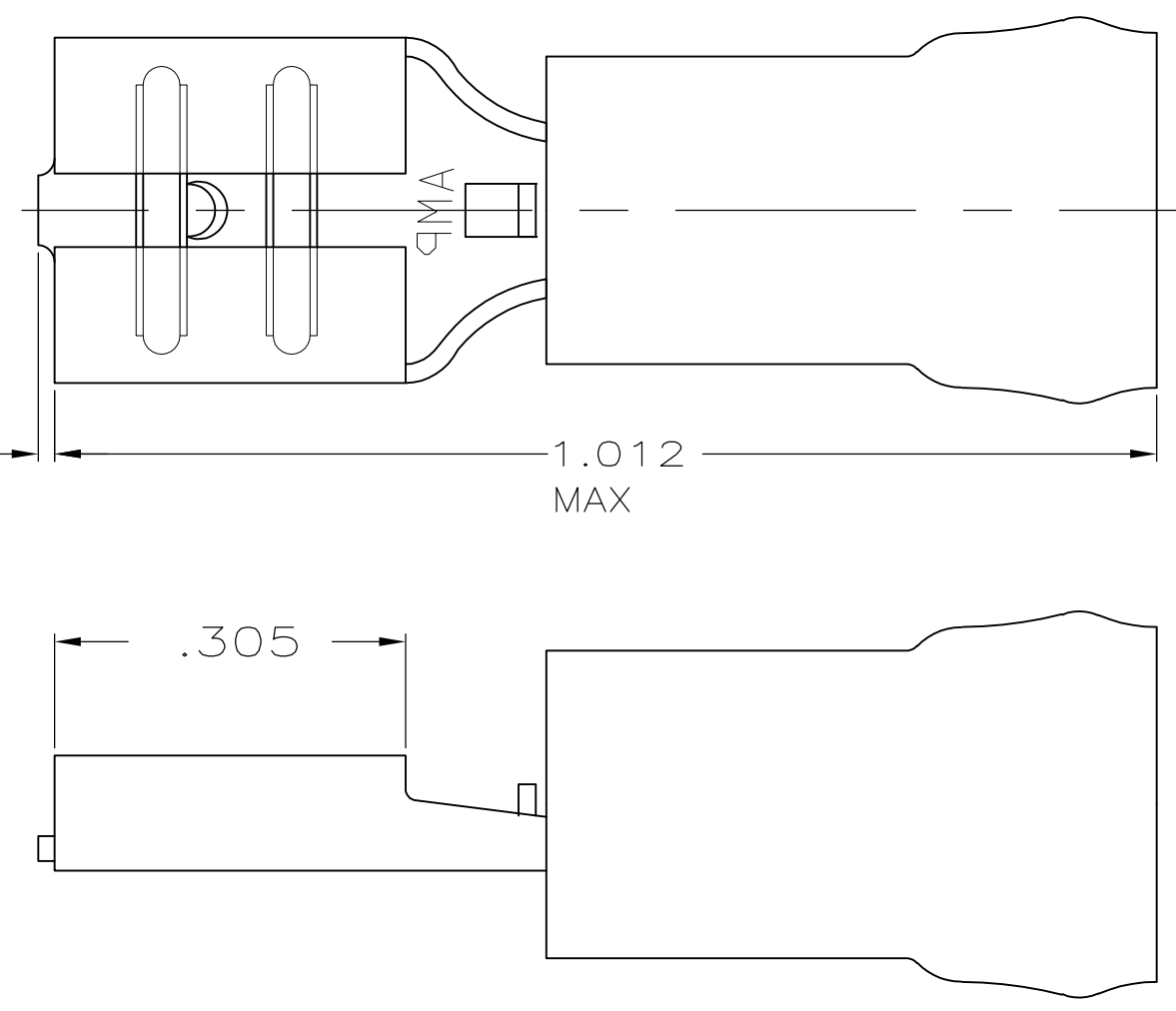
C

B

B

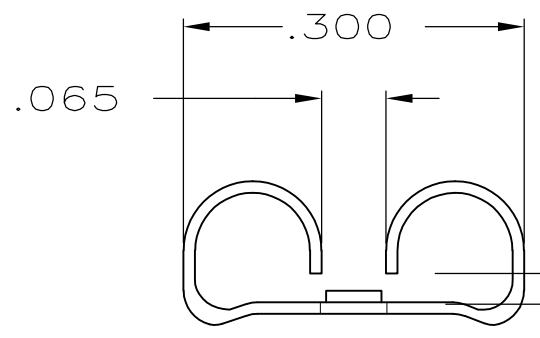
A

A



- 1. INSULATION DIA .250 MAX
- 2. FITS TAB .032 THK

AMP WIRE RANGE	FILE E66717	LR7189 Certified
12-10 AWG STRANDED	12-10 AWG STRANDED	12-10 AWG STRANDED



QTY	PACKAGE TYPE	PART NO
100	LOOSE PC,BOX	8-640907-1
2500	TAPE MOUNTED	640907-2
-	LOOSE PIECE	640907-1

TE CONNECTIVITY CUSTOMER SERVICE SYSTEM		MAX RECOMMENDED OPERATING TEMPERATURE: 105°C -	THIS DRAWING IS A CONTROLLED DOCUMENT.		DWN L OLMEDA 26JUN95	TE Connectivity			
FOR ADDITIONAL PRODUCT INFORMATION OR COPIES OF DRAWING AND TECHNICAL DOCUMENTS	PRODUCT INFORMATION CENTER 1-800-522-6752		DIMENSIONS: INCHES	TOLERANCES UNLESS OTHERWISE SPECIFIED:	CHK M ELLIS 26JUN95				
FOR APPLICATION TOOLING INFORMATION	TOOLING ASSISTANCE CENTER 1-800-722-1111	VOLTAGE RATING: 300V MAX -		0 PLC ± -	APVD B BARE 26JUN95	NAME RECEPTACLE, 250 SERIES, FASTON , PIDG , 12-10			
FOR ORDER ENTRY	1-800-526-5142	CIRCULAR MIL AREA: 5,180-13,100 STRANDED		1 PLC ± -	2 PLC ± .015	PRODUCT SPEC UL 310	SIZE	CAGE CODE	DRAWING NO
			MATERIAL BODY,BRASS .018	3 PLC ± -	APPLICATION SPEC 114-1002	A300779		C-640907	
				4 PLC ANGLES ± -	WEIGHT -	CUSTOMER DRAWING		SCALE 6:1	SHEET 1 OF 1
				FINISH BODY,TIN	CUSTOMER DRAWING		SCALE 6:1	SHEET 1 OF 1	REV J2