



Chipsmall Limited consists of a professional team with an average of over 10 year of expertise in the distribution of electronic components. Based in Hongkong, we have already established firm and mutual-benefit business relationships with customers from,Europe,America and south Asia,supplying obsolete and hard-to-find components to meet their specific needs.

With the principle of “Quality Parts,Customers Priority,Honest Operation,and Considerate Service”,our business mainly focus on the distribution of electronic components. Line cards we deal with include Microchip,ALPS,ROHM,Xilinx,Pulse,ON,Everlight and Freescale. Main products comprise IC,Modules,Potentiometer,IC Socket,Relay,Connector.Our parts cover such applications as commercial,industrial, and automotives areas.

We are looking forward to setting up business relationship with you and hope to provide you with the best service and solution. Let us make a better world for our industry!



## Contact us

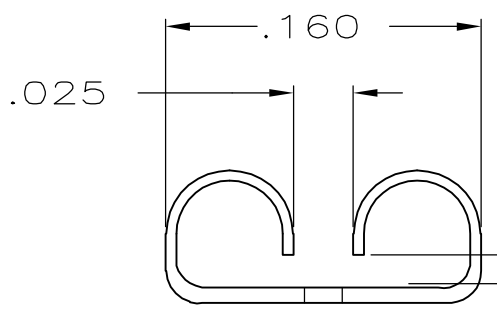
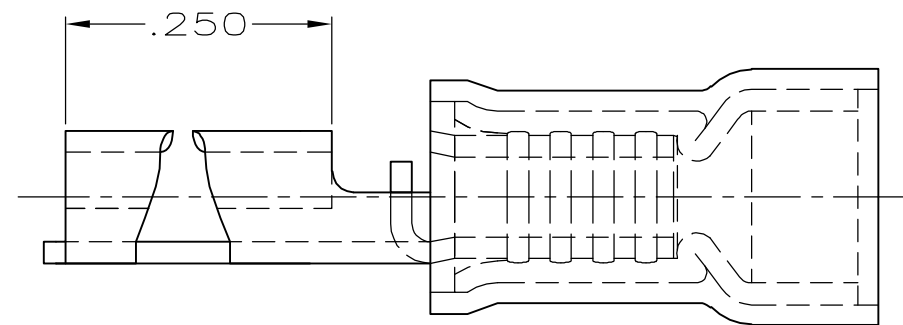
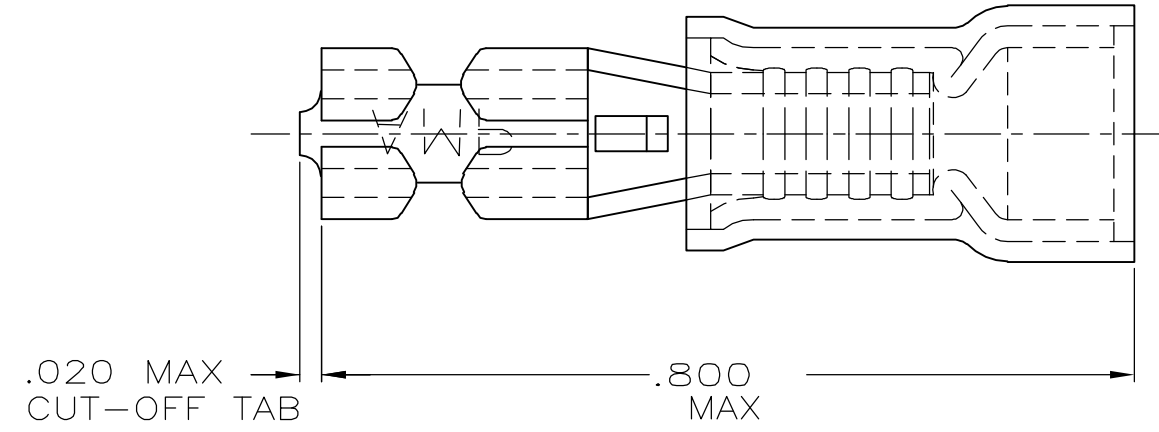
Tel: +86-755-8981 8866 Fax: +86-755-8427 6832

Email & Skype: info@chipsmall.com Web: www.chipsmall.com

Address: A1208, Overseas Decoration Building, #122 Zhenhua RD., Futian, Shenzhen, China



LOC	DIST	REVISIONS					
G	14	P	LTR	DESCRIPTION	DATE	DWN	APVD
		H1		REV PER ECR 06-001832	24APR06	JR	TM



FITS "110" SERIES FASTON TAB

- 1. INSULATION DIA .135 MAX
- 2. FITS TAB .020 THK

QTY	PACKAGE TYPE	PART NO
100	LOOSE PC,BOX	8-640923-1
-	TAPE MOUNTED	640923-2
-	LOOSE PIECE	640923-1

AMP INCORPORATED CUSTOMER SERVICE SYSTEM		MAX RECOMMENDED OPERATING TEMPERATURE: -	THIS DRAWING IS A CONTROLLED DOCUMENT FOR AMP INCORPORATED. IT IS SUBJECT TO CHANGE AND THE CONTROLLING ENGINEERING ORGANIZATION SHOULD BE CONTACTED FOR THE LATEST REVISION.	DWN L OLMEDA 13NOV95 CHK M ELLIS 15NOV95 APVD B BARE 15NOV95	<b>AMP</b> AMP Incorporated Harrisburg, PA 17105-3608
FOR ADDITIONAL PRODUCT INFORMATION OR COPIES OF DRAWINGS AND TECHNICAL DOCUMENTS PRODUCT INFORMATION CENTER 1-800-522-6752	FOR APPLICATION TOOLING INFORMATION TOOLING ASSISTANCE CENTER 1-800-722-1111	VOLTAGE RATING: -	DIMENSIONS: INCHES 	TOLERANCES UNLESS OTHERWISE SPECIFIED: 0 PLC ±- 1 PLC ±- 2 PLC ±.015 3 PLC ±- 4 PLC ±- ANGLES ±-	
FOR ORDER ENTRY 1-800-526-5142	CIRCULAR MIL AREA: -	MATERIAL BODY,BRASS .016 SLV,NYLON,COLOR, RED	FINISH BODY,PRE-TIN	WEIGHT -	SIZE A3 CAGE CODE 00779 DRAWING NO C-640923
AMP 1470-19 REV 09MAY94 Translated 021119.125937 (YYMMDD.HHMMSS) from Computervision, Inc., Medusa Revision 12.2.5T				CUSTOMER DRAWING SCALE NTS SHEET 1 OF 1 REV H1	