



Chipsmall Limited consists of a professional team with an average of over 10 year of expertise in the distribution of electronic components. Based in Hongkong, we have already established firm and mutual-benefit business relationships with customers from,Europe,America and south Asia,supplying obsolete and hard-to-find components to meet their specific needs.

With the principle of “Quality Parts,Customers Priority,Honest Operation,and Considerate Service”,our business mainly focus on the distribution of electronic components. Line cards we deal with include Microchip,ALPS,ROHM,Xilinx,Pulse,ON,Everlight and Freescale. Main products comprise IC,Modules,Potentiometer,IC Socket,Relay,Connector.Our parts cover such applications as commercial,industrial, and automotives areas.

We are looking forward to setting up business relationship with you and hope to provide you with the best service and solution. Let us make a better world for our industry!



## Contact us

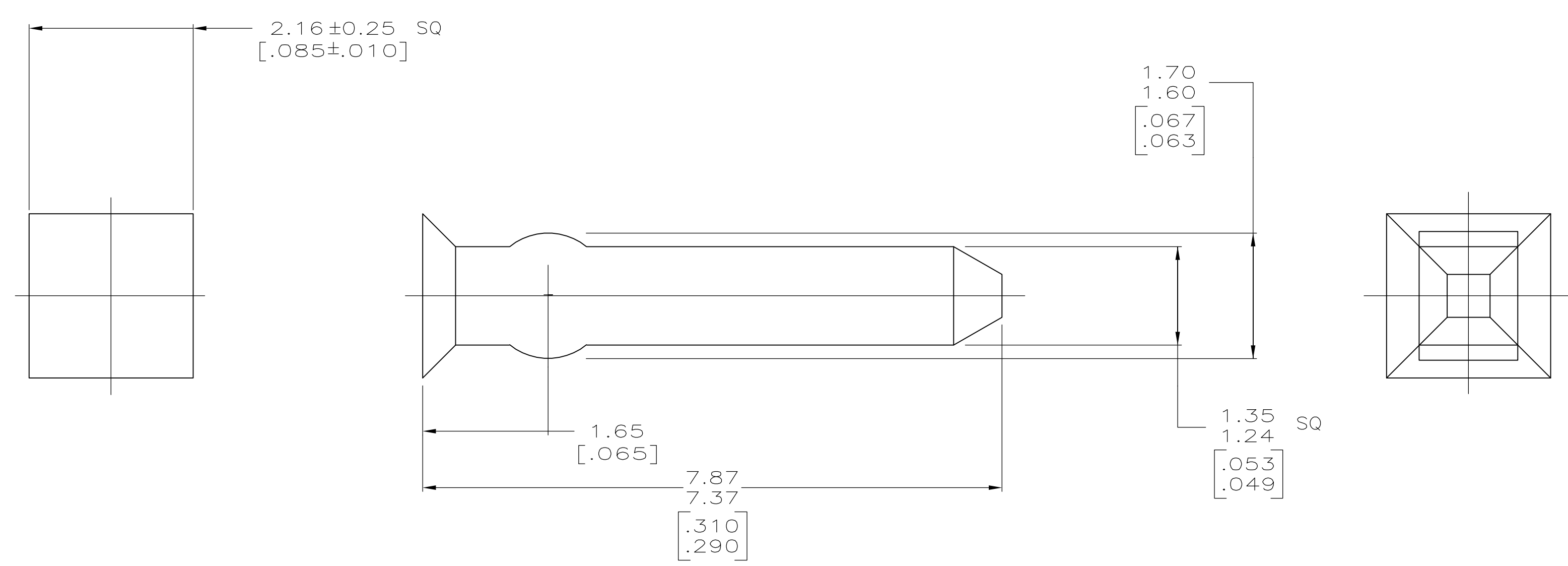
Tel: +86-755-8981 8866 Fax: +86-755-8427 6832

Email & Skype: info@chipsmall.com Web: www.chipsmall.com

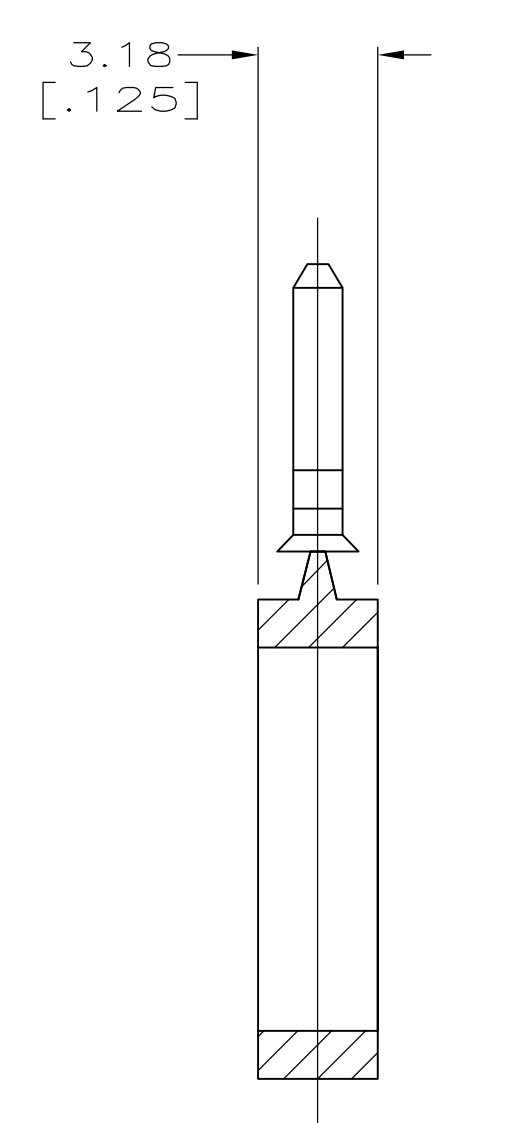
Address: A1208, Overseas Decoration Building, #122 Zhenhua RD., Futian, Shenzhen, China



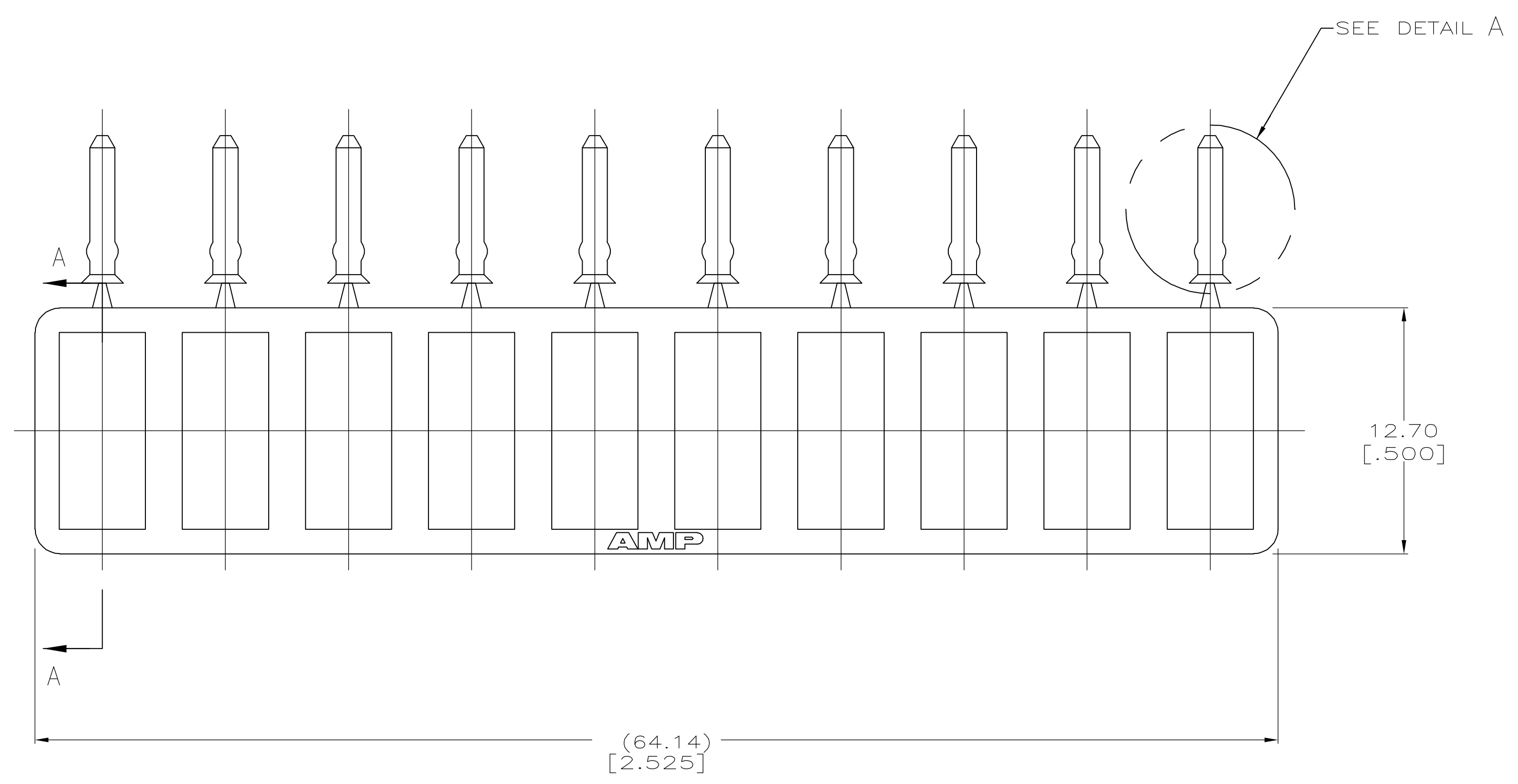
LOC		DIST		REVISIONS			
P	LTR	DESCRIPTION	DATE	DWN	APPD		
C1		REVISED PER ECO-05-012730	08NOV05	KW	DB		



DETAIL A  
 SCALE 20:1  
 ROTATED 90° CW



SECTION A-A



641623-1  
 PART NUMBER

METRIC

THIS DRAWING IS A CONTROLLED DOCUMENT.		DWN T. BECK 4-4-91		Tyco Electronics Corporation Harrisburg, PA 17105-3608	
DIMENSIONS: mm [INCHES]		CHK R. SWING 4-4-91		NAME G. MILLER 4-4-91	KEYING PLUG WITH CARRIER STRIP, MTA 156
TOLERANCES UNLESS OTHERWISE SPECIFIED:		PRODUCT SPEC		RESTRICTED TO	
0 PLC	± -	APPLICATION SPEC		SIZE CAGE CODE DRAWING NO	
1 PLC	± -	WEIGHT		A1 00779 C=641623	
2 PLC	± -	CUSTOMER DRAWING		SCALE 5:1 SHEET 1 OF 1 REV C1	
3 PLC	± 0.13 [.005]				
4 PLC	± -				
ANGLES	± -				
FINISH	-				