



Chipsmall Limited consists of a professional team with an average of over 10 year of expertise in the distribution of electronic components. Based in Hongkong, we have already established firm and mutual-benefit business relationships with customers from,Europe,America and south Asia,supplying obsolete and hard-to-find components to meet their specific needs.

With the principle of “Quality Parts,Customers Priority,Honest Operation,and Considerate Service”,our business mainly focus on the distribution of electronic components. Line cards we deal with include Microchip,ALPS,ROHM,Xilinx,Pulse,ON,Everlight and Freescale. Main products comprise IC,Modules,Potentiometer,IC Socket,Relay,Connector.Our parts cover such applications as commercial,industrial, and automotives areas.

We are looking forward to setting up business relationship with you and hope to provide you with the best service and solution. Let us make a better world for our industry!



## Contact us

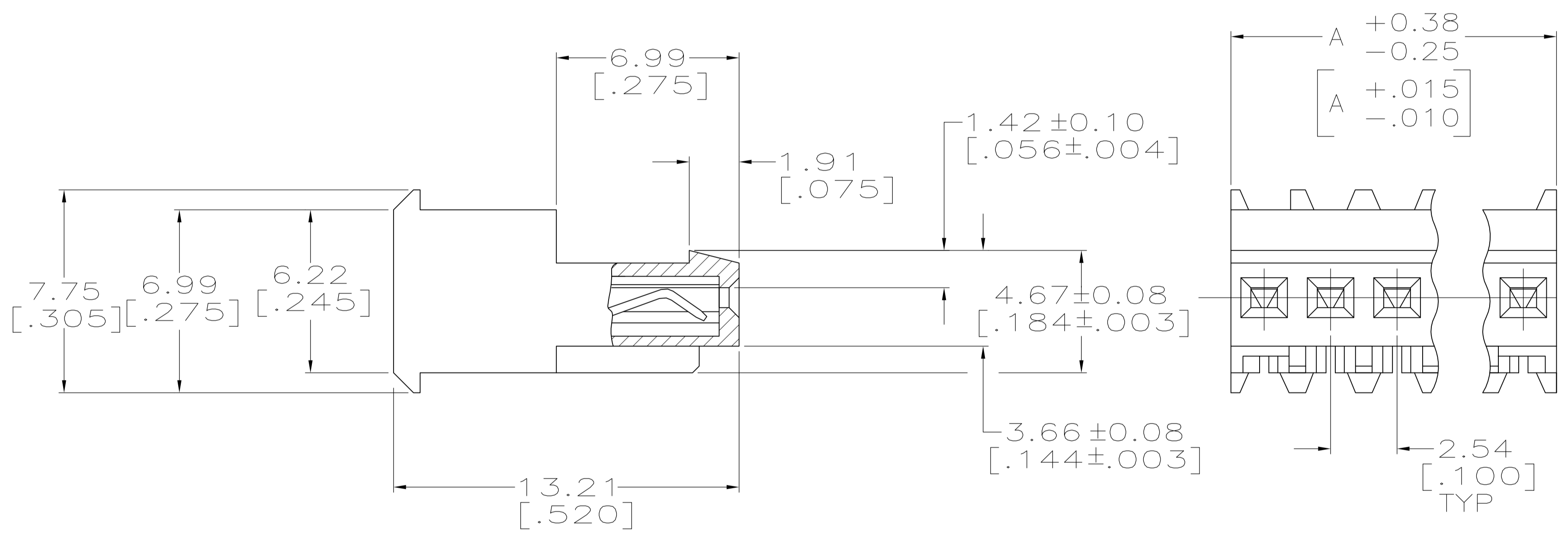
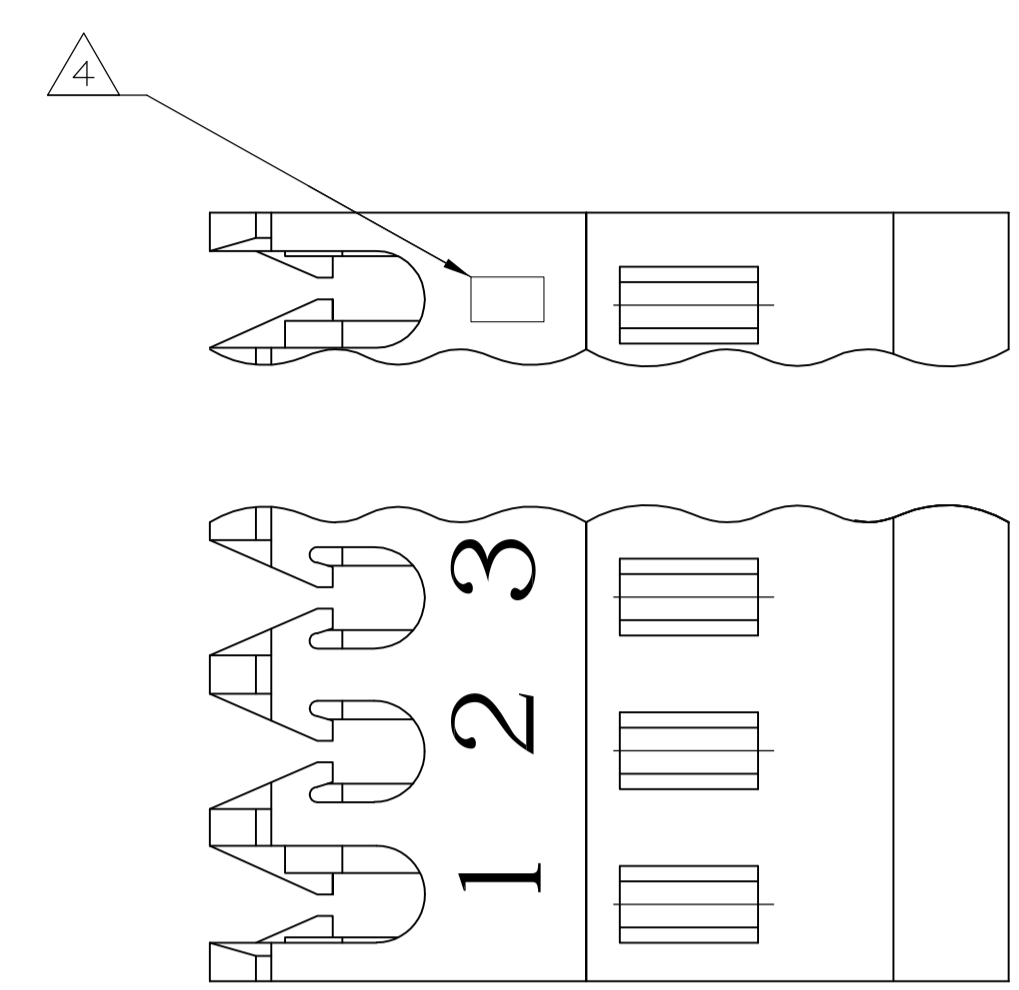
Tel: +86-755-8981 8866 Fax: +86-755-8427 6832

Email & Skype: info@chipsmall.com Web: www.chipsmall.com

Address: A1208, Overseas Decoration Building, #122 Zhenhua RD., Futian, Shenzhen, China



- 1 MATERIAL: CONNECTOR-NYLON UL94V-2.  
CONTACTS-0.30 [.012] THICK COPPER ALLOY  
BRIGHT TIN-LEAD 0.00203 [.000080] MINIMUM THICK FOR CONTACTS  
641653-2 THRU 641653-8,  
MATTE WHISKER MITIGATED TIN PLATE 0.00203 [.000080] MINIMUM THICK OVER  
NICKEL UNDERPLATE FOR CONTACTS 3-641653-2 THRU 3-641653-8.
- 2 CONTACTS ACCEPT 22 AWG WIRE WITH 1.52 [.060] MAXIMUM INSULATION DIAMETER.
- 3 CONTACTS MUST ACCEPT 0.64±0.03 [.025±.001] SQUARE POST AND REMAIN  
LOCKED IN POSITION.
- 4 IDENTIFICATION NUMBER FOR LAST CIRCUIT MAY NOT APPEAR ON ALL ASSEMBLIES.
- 5 DIMENSIONS IN BRACKETS ARE IN INCHES.
- 6 HOUSING FEATURES ARE: FEED THRU WITH LOCKING RAMP & LED CONTACT.
- 7 RED COLOR STRIPE ON HOUSING (NOT SHOWN) MAY RUN DOWN BETWEEN RIBS.



LEAD FREE			
	20.32 [.800]	8	3-641653-8
	7.62 [.300]	3	3-641653-3
	5.08 [.200]	2	3-641653-2
	DIM A	NO.OF POSN	ASSEMBLY

CONTAINS LEAD			
	20.32 [.800]	8	641653-8
	7.62 [.300]	3	641653-3
	5.08 [.200]	2	641653-2
	DIM A	NO.OF POSN	ASSEMBLY

THIS DRAWING IS A CONTROLLED DOCUMENT.

DIMENSIONS: mm [INCHES]	TOLERANCES UNLESS OTHERWISE SPECIFIED:	DIN S. HOOVER 10-DEC-2004	APVD D. ROSSI 10-DEC-2004	NAME
0 PLC ±	1 PLC ±	2 PLC ± 0.13 [.005]	3 PLC ±	4 PLC ±
ANGLES ±				
MATERIAL	FINISH	SIZE	CAGE CODE	DRAWING NO
		A1	00779	641653
CUSTOMER DRAWING		SCALE	SHEET	REV
		8:1	1 of 1	

STE TE Connectivity  
MTA-100 CONNECTOR ASSEMBLY, 22 AWG, FOR .014 TO .020 POST, SPECIAL