



Chipsmall Limited consists of a professional team with an average of over 10 year of expertise in the distribution of electronic components. Based in Hongkong, we have already established firm and mutual-benefit business relationships with customers from,Europe,America and south Asia,supplying obsolete and hard-to-find components to meet their specific needs.

With the principle of “Quality Parts,Customers Priority,Honest Operation,and Considerate Service”,our business mainly focus on the distribution of electronic components. Line cards we deal with include Microchip,ALPS,ROHM,Xilinx,Pulse,ON,Everlight and Freescale. Main products comprise IC,Modules,Potentiometer,IC Socket,Relay,Connector.Our parts cover such applications as commercial,industrial, and automotives areas.

We are looking forward to setting up business relationship with you and hope to provide you with the best service and solution. Let us make a better world for our industry!



Contact us

Tel: +86-755-8981 8866 Fax: +86-755-8427 6832

Email & Skype: info@chipsmall.com Web: www.chipsmall.com

Address: A1208, Overseas Decoration Building, #122 Zhenhua RD., Futian, Shenzhen, China



DRAWING MADE IN THIRD ANGLE PROJECTION

Copyright 1981 by AMP Incorporated, Harrisburg, Pa. All International Rights Reserved. AMP Incorporated Products Covered by U. S. and Foreign Patents and/or Patents Pending.

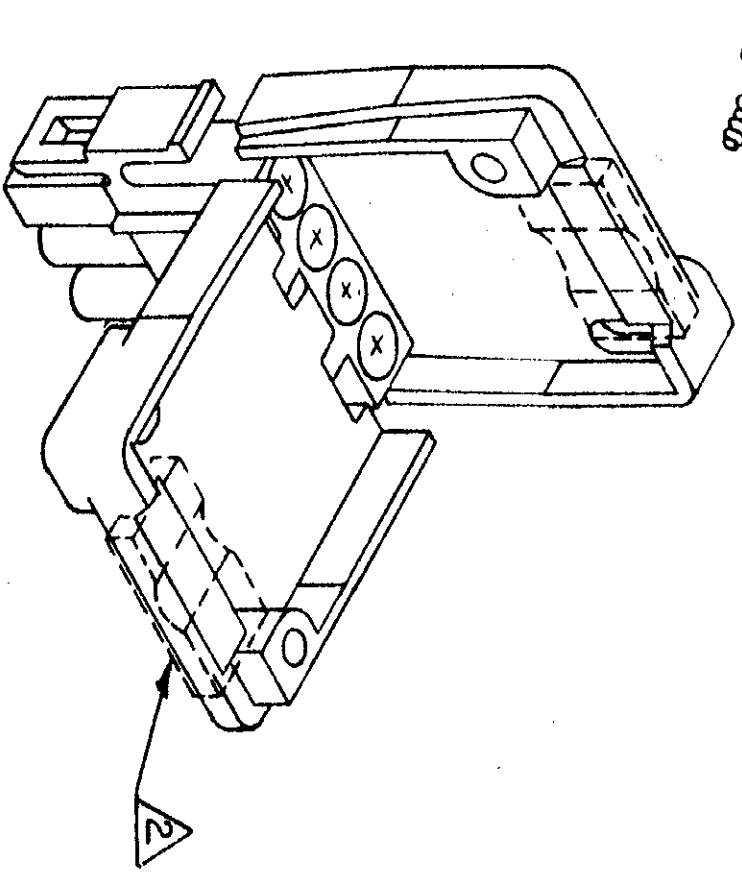
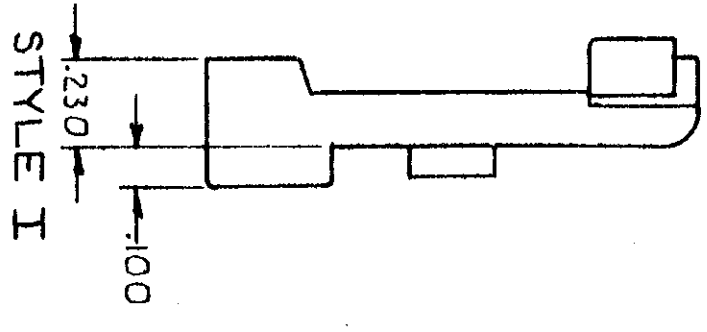
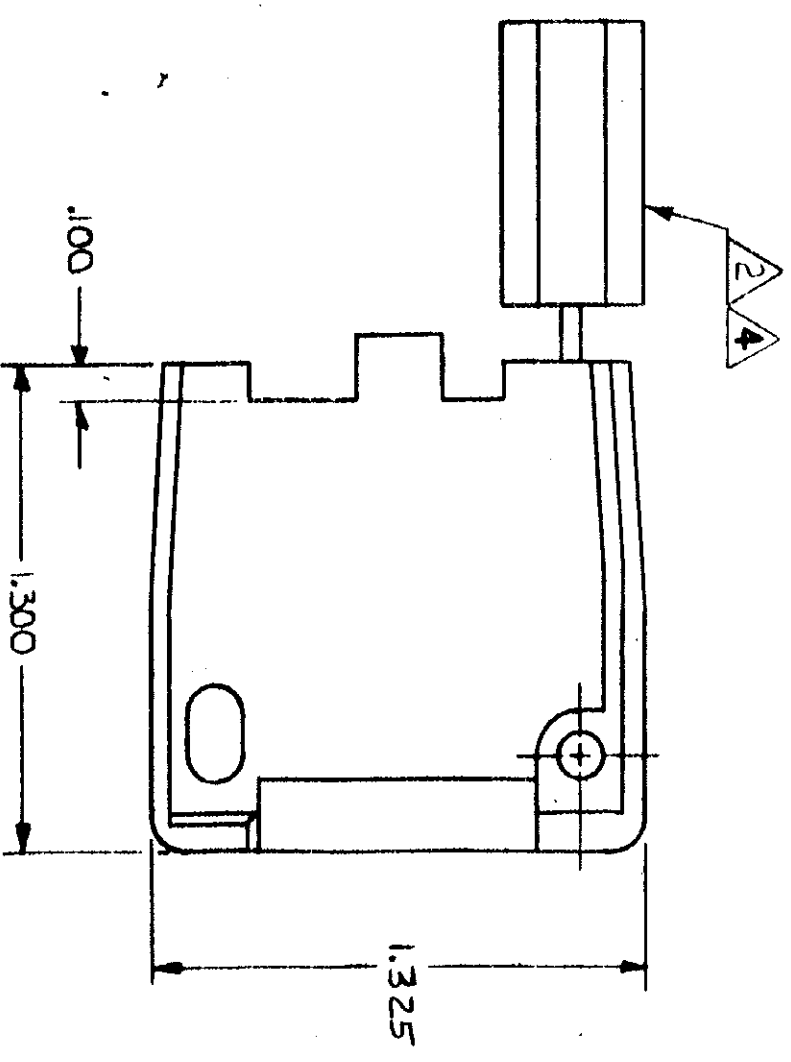
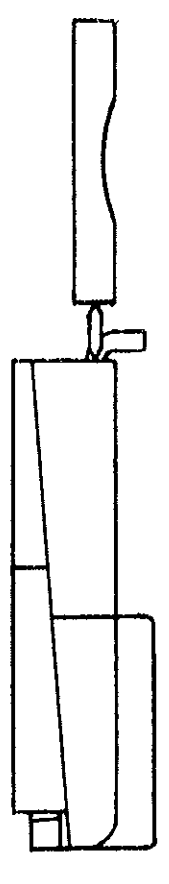
3

2

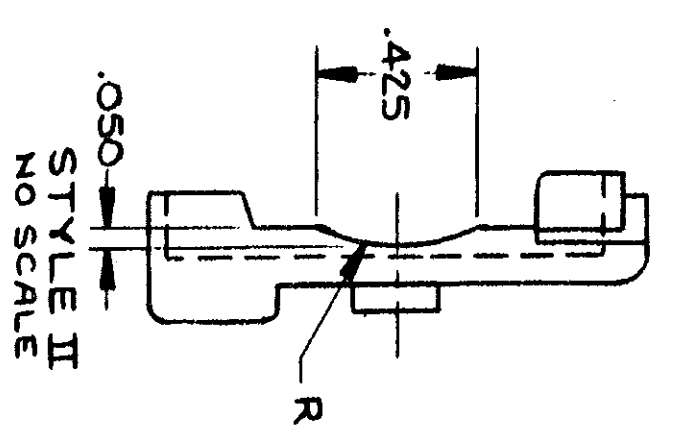
1

REV	ZONE	TR	DESCRIPTION	DATE	APPROVED
0			RELEASE DRAWING PER M-6208	1-22-81	MSE/DH
A			REVISED WIDTH PER M-6934	4-27-82	MSE/AH
B			1.325 WAS 1.330	3/4/83	MS/S.H.
C			ADDED -2 PER TT 83-133	11/83	KW/SS
D			RESTORATION	1/85	KS/SS
			REV PER EGN CM 705	2/1/86	TB/LDS

- 5. DETACHABLE INSERT MAY SEPARATE FROM STRAIN RELIEF BODY DURING SHIPPING.
- 4. STYLE II DOES NOT INCLUDE INSERT.
- 3. TWO REQUIRED PER CONNECTOR.
- 2. OFF AND POSITIONED AS SHOWN BY DOTTED LINES.
- 1. ADJUSTMENT FOR SMALL WIRE BUNDLES, IT SHOULD BE CUT
- 0. INSERT IS ATTACHED TO STRAIN RELIEF. AS AN ADDITIONAL



(2 REQ'D) #6 X .375 LG. TYPE "B" PAN HEAD SHEET METAL SCREW



WIRE BUNDLE	MAX	MIN
WITHOUT INSERT	4 @ .190 DIA	
WITH INSERT		4 @ .040 DIA

UNLESS OTHERWISE SPECIFIED DIMENSIONS ARE IN INCHES. TOLERANCES ON: DECIMALS ±.015 ANGLES ±

CONTRACT NO
DR M. FEHER 1-22-81
CHK J.S. Heide 1/28/81
APPD J.C. [Signature] 1-28-81
DSGN APPD
OTHER APPD

NAME
STRAIN RELIEF AND INSERT,
UNIVERSAL MATE-N-LOK™, 4 CIRCUIT

MATERIAL	STYLE	COLOR	PART NO
NYLON 94V-2	II	NATURAL	641775-2
NYLON 94V-2	I	NATURAL	641775-1

AMP INCORPORATED Harrisburg, Pa.

SIZE CODE IDENT NO DRAWING NO
C 00779 641775

641775