



Chipsmall Limited consists of a professional team with an average of over 10 year of expertise in the distribution of electronic components. Based in Hongkong, we have already established firm and mutual-benefit business relationships with customers from,Europe,America and south Asia,supplying obsolete and hard-to-find components to meet their specific needs.

With the principle of “Quality Parts,Customers Priority,Honest Operation,and Considerate Service”,our business mainly focus on the distribution of electronic components. Line cards we deal with include Microchip,ALPS,ROHM,Xilinx,Pulse,ON,Everlight and Freescale. Main products comprise IC,Modules,Potentiometer,IC Socket,Relay,Connector.Our parts cover such applications as commercial,industrial, and automotives areas.

We are looking forward to setting up business relationship with you and hope to provide you with the best service and solution. Let us make a better world for our industry!



## Contact us

Tel: +86-755-8981 8866 Fax: +86-755-8427 6832

Email & Skype: info@chipsmall.com Web: www.chipsmall.com

Address: A1208, Overseas Decoration Building, #122 Zhenhua RD., Futian, Shenzhen, China



© COPYRIGHT 1980 BY AMP INCORPORATED, HARRISBURG, PA.  
 ALL INTERNATIONAL RIGHTS RESERVED, AMP INCORPORATED PRODUCTS  
 COVERED BY U. S. AND FOREIGN PATENTS AND/OR PATENTS PENDING.

REVISIONS						
P	F	ZONE	LTR	DESCRIPTION	DATE	APPROVED
			H	REV PER EC 0730-0201-94	42695	JH <del>RS</del>

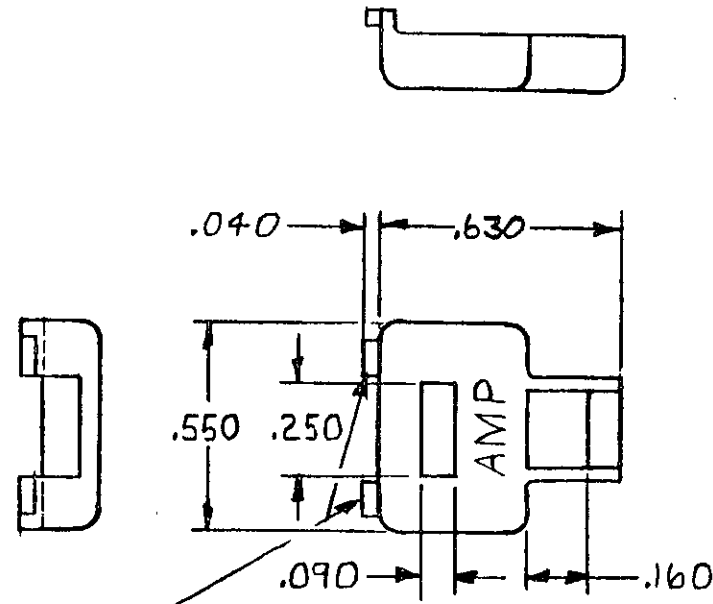


FIGURE 1

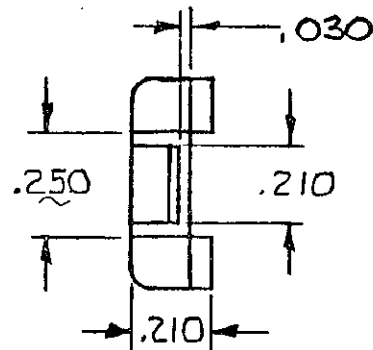
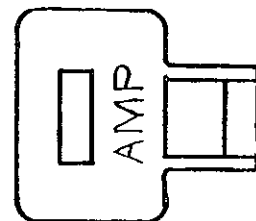
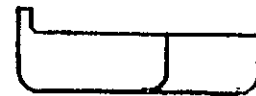
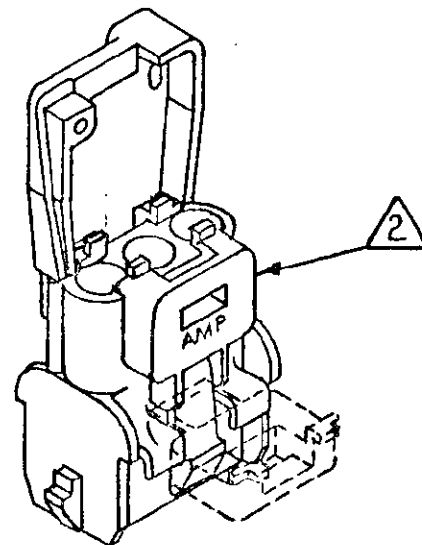


FIGURE 2

1 FOR USE WITH 3,4,9,12 AND 15 CIRCUIT CAP HOUSINGS AND APPROPRIATE STRAIN RELIEF (ENCLOSED VERSION).  
 2 ADAPTER ATTACHES TO CAP HOUSING AS SHOWN PROVIDING FEATURE TO ATTACH STRAIN RELIEF.



FOR ASSY. MODULE	FIGURE 2 (WITHOUT NIBS)	641778-2
FOR STRAIN RELIEF	FIGURE 1 (WITH NIBS)	641778-1
USAGE	ADAPTER STYLE	PART NO

UNLESS OTHERWISE SPECIFIED DIMENSIONS ARE IN INCHES. TOLERANCES ON: DECIMALS ± .015 ANGLES ± —	CONTRACT NO	<b>AMP</b>   AMP INCORPORATED Harrisburg, Pa.	
	DR <i>m. FEHER 12-18-80</i>		
MATERIAL NYLON 94V-0	CHK <i>J. S. Heide, 12/29/80</i>	NAME ADAPTER, CAP HOUSING, UNIVERSAL MATE-N-LOK	
	APPD <i>J.C.M. 12-21-80</i>	SIZE <b>B</b>	CODE IDENT NO <b>00779</b>
	DSGN APPD	DRAWING NO <b>641778</b>	
	OTHER APPD	SCALE 2-1	SHEET —