



Chipsmall Limited consists of a professional team with an average of over 10 year of expertise in the distribution of electronic components. Based in Hongkong, we have already established firm and mutual-benefit business relationships with customers from,Europe,America and south Asia,supplying obsolete and hard-to-find components to meet their specific needs.

With the principle of "Quality Parts,Customers Priority,Honest Operation,and Considerate Service",our business mainly focus on the distribution of electronic components. Line cards we deal with include Microchip,ALPS,ROHM,Xilinx,Pulse,ON,Everlight and Freescale. Main products comprise IC,Modules,Potentiometer,IC Socket,Relay,Connector.Our parts cover such applications as commercial,industrial, and automotives areas.

We are looking forward to setting up business relationship with you and hope to provide you with the best service and solution. Let us make a better world for our industry!



Contact us

Tel: +86-755-8981 8866 Fax: +86-755-8427 6832

Email & Skype: info@chipsmall.com Web: www.chipsmall.com

Address: A1208, Overseas Decoration Building, #122 Zhenhua RD., Futian, Shenzhen, China



4

3

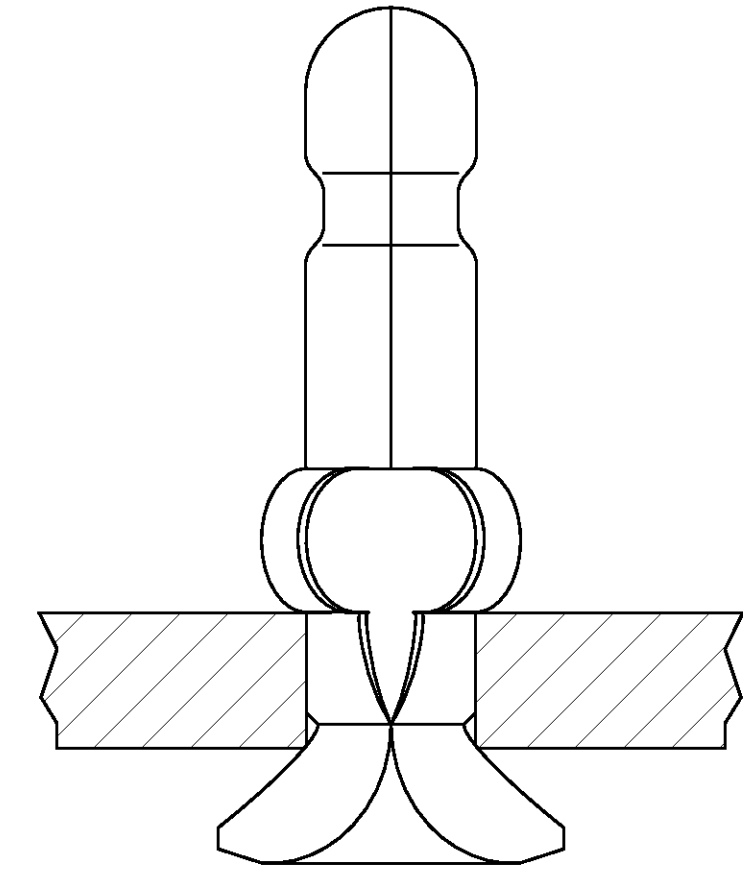
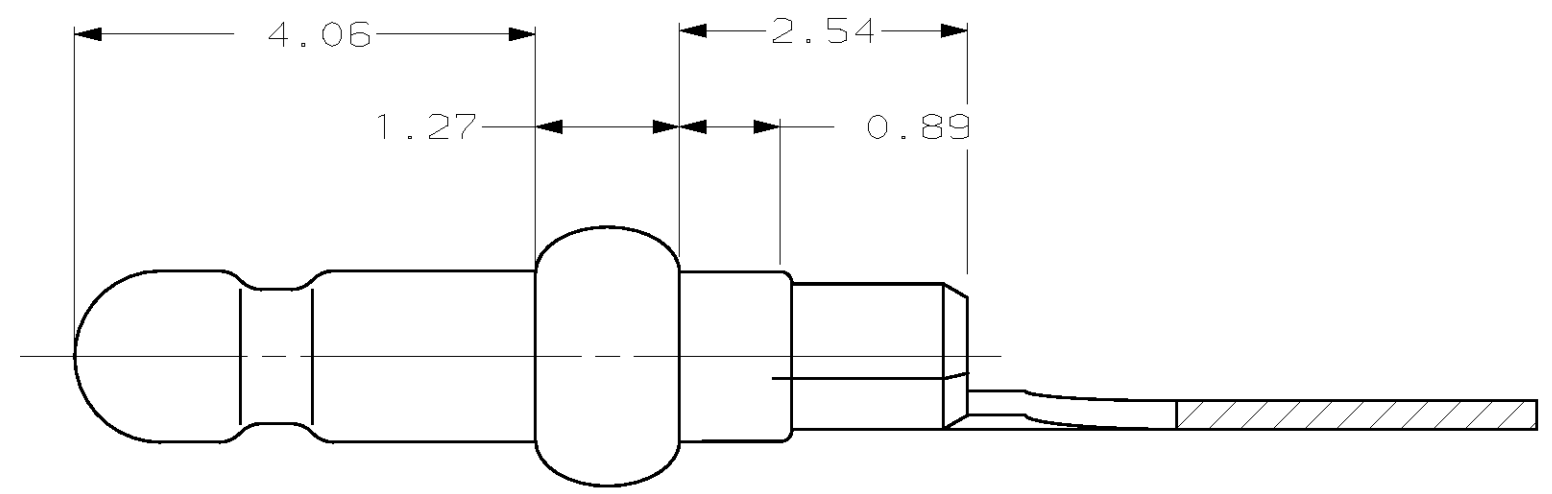
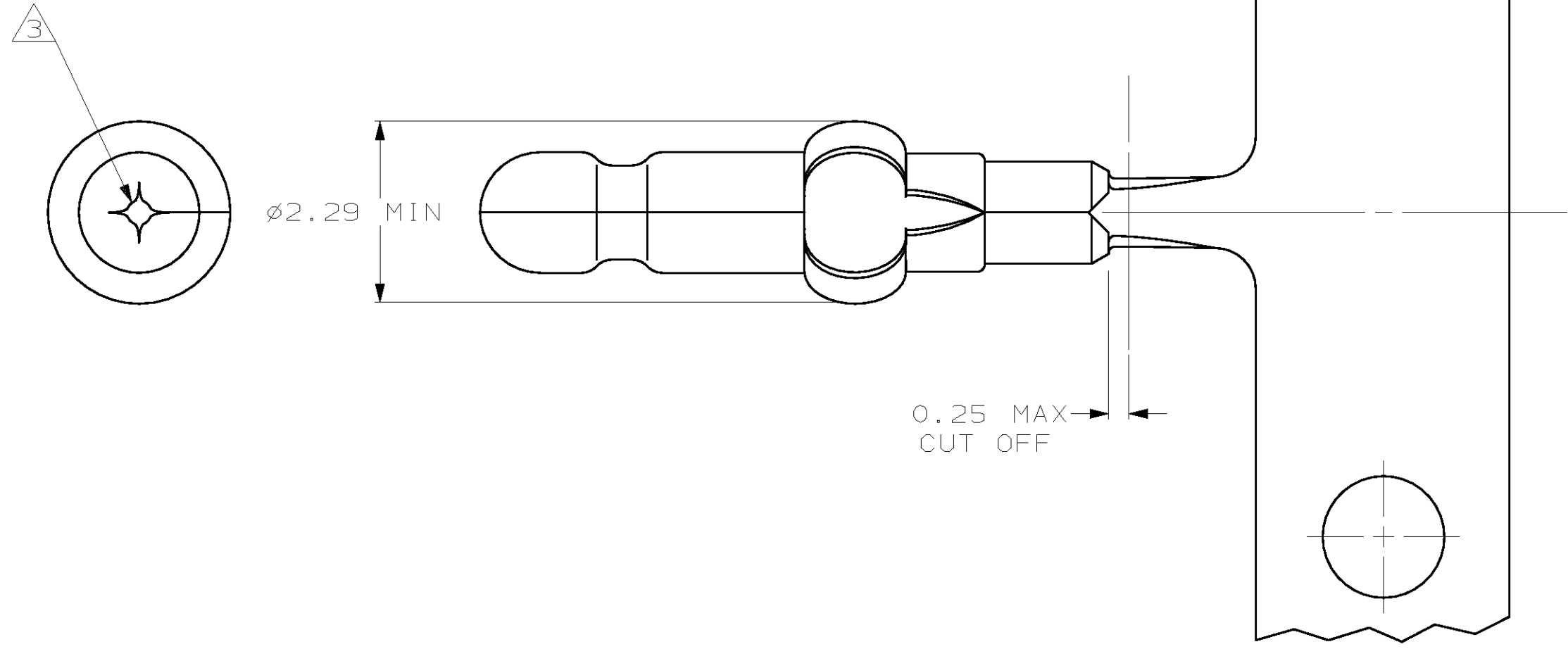
2

1

THIS DRAWING IS UNPUBLISHED. RELEASED FOR PUBLICATION .19
 (C) COPYRIGHT 19 BY AMP INCORPORATED. ALL RIGHTS RESERVED.

LOC	DIST	REVISIONS			
P	LTR	DESCRIPTION	DATE	DWN	APVD
CM	52	C	REV & REDWN PER EC 0L30-0176-97	8-25-97	TB RS

1. FITS 1.40 - 1.55 DIAMETER HOLE IN A 1.19±0.18 PRINTED CIRCUIT BOARD.
2. PARTS TO COMPLY WITH AMP SOLDERABILITY SPECIFICATION 109-11-3.
3. 0.05 - 0.25 DIAMETER OPENING REQUIRED IN TIP OF PIN.
4. APPLICATOR FEED: 8.00 - 8.26



PRE TIN FINISH	641944-1 PART NUMBER
----------------	----------------------

MM	IN	MM	IN	MM	IN	MM	IN
0.25	.010	1.40	.055	2.54	.100	-	-
0.18	.007	1.27	.050	2.29	.090	8.26	.325
0.13	.005	1.19	.047	1.55	.061	8.00	.315
0.05	.002	0.89	.035	1.47	.058	4.06	.160

CONVERSION TABLE

METRIC

THIS DRAWING IS A CONTROLLED DOCUMENT.		DWN	T. BECK	8-25-97	AMP Incorporated Harrisburg, PA 17105-3608	
DIMENSIONS: mm		CHK	R. SWING	8-25-97		
TOLERANCES UNLESS OTHERWISE SPECIFIED:		APVD	A. BEDDICK	9-10-97		
0 PLC ±- 1 PLC ±- 2 PLC ±0.13 3 PLC ±- 4 PLC ±- ANGLES ±-		PRODUCT SPEC	108-1025			
MATERIAL: 0.25 PH BRZ		FINISH	SEE TABLE		APPLICATION SPEC	114-1008
		WEIGHT	-		SIZE	A2
		CUSTOMER DRAWING			CAGE CODE	00779
		SCALE	15:1		DRAWING NO	641944
		SHEET	1 OF 1		RESTRICTED TO	-
		REV	C			

641944