



Chipsmall Limited consists of a professional team with an average of over 10 year of expertise in the distribution of electronic components. Based in Hongkong, we have already established firm and mutual-benefit business relationships with customers from,Europe,America and south Asia,supplying obsolete and hard-to-find components to meet their specific needs.

With the principle of "Quality Parts,Customers Priority,Honest Operation,and Considerate Service",our business mainly focus on the distribution of electronic components. Line cards we deal with include Microchip,ALPS,ROHM,Xilinx,Pulse,ON,Everlight and Freescale. Main products comprise IC,Modules,Potentiometer,IC Socket,Relay,Connector.Our parts cover such applications as commercial,industrial, and automotives areas.

We are looking forward to setting up business relationship with you and hope to provide you with the best service and solution. Let us make a better world for our industry!



Contact us

Tel: +86-755-8981 8866 Fax: +86-755-8427 6832

Email & Skype: info@chipsmall.com Web: www.chipsmall.com

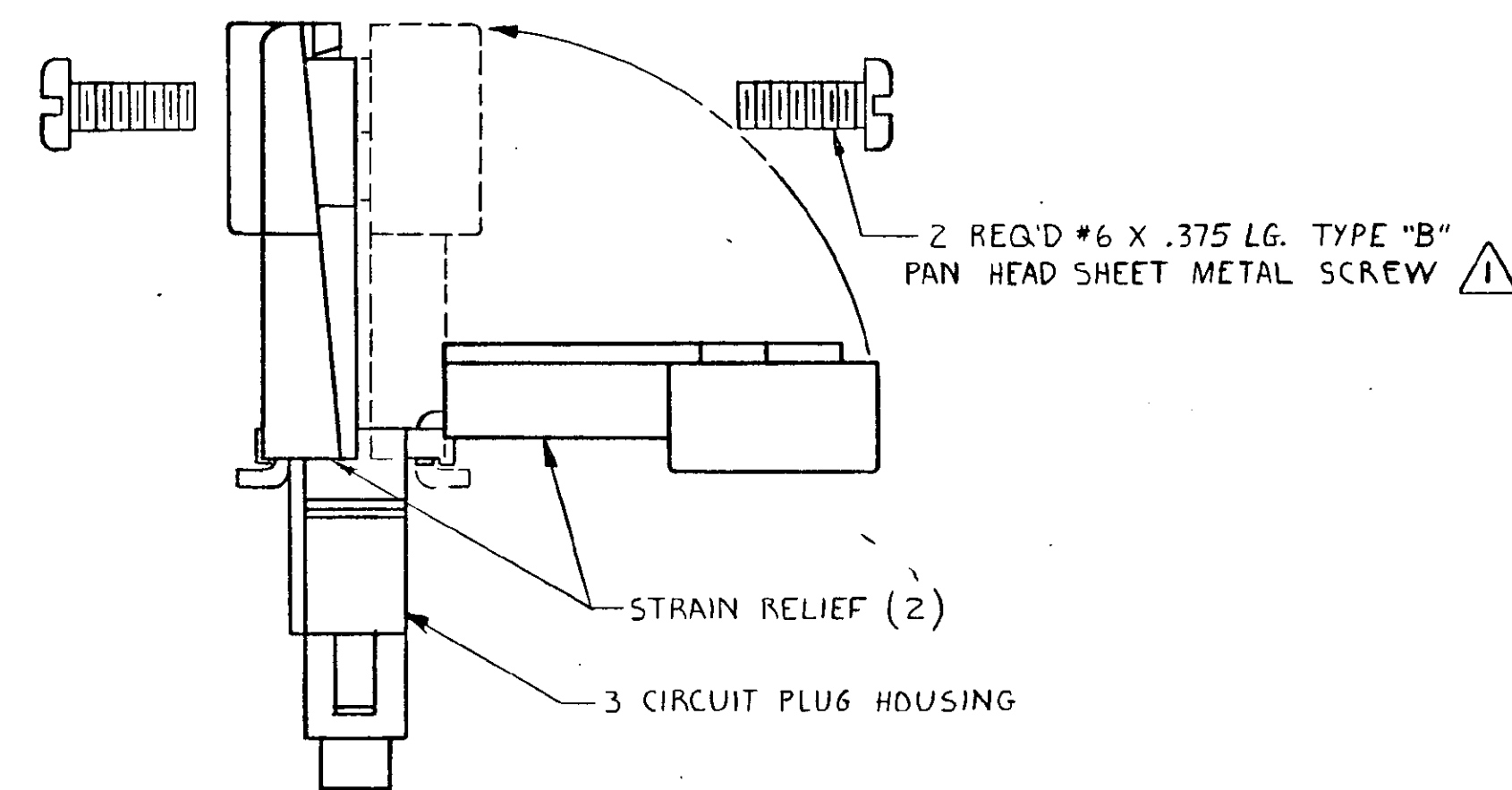
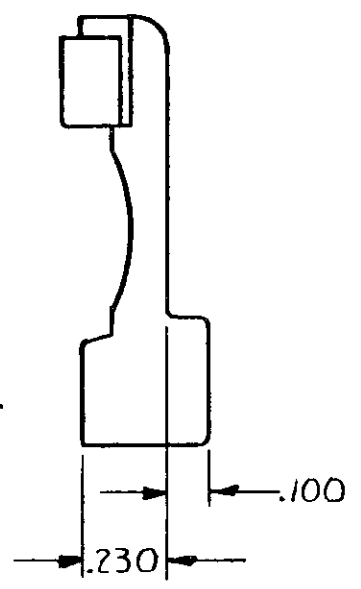
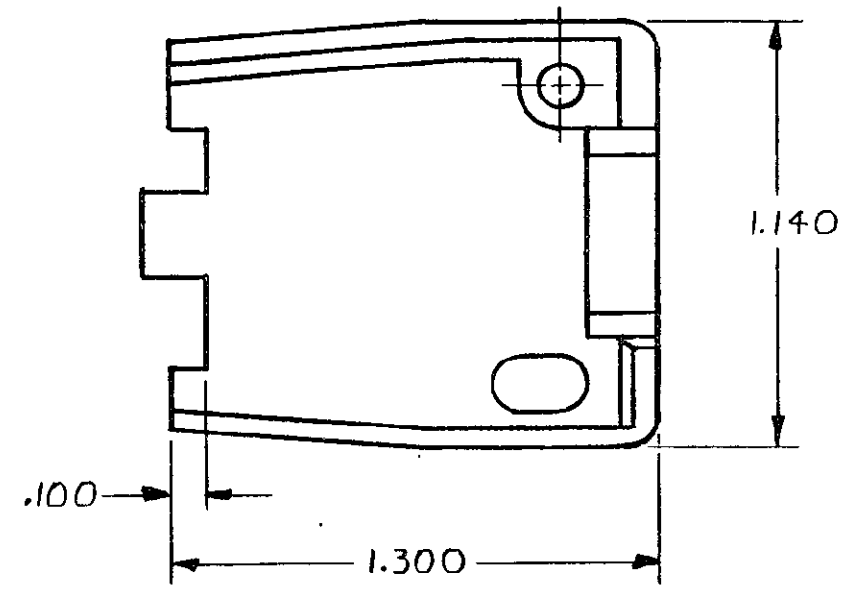
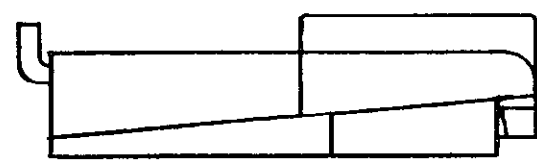
Address: A1208, Overseas Decoration Building, #122 Zhenhua RD., Futian, Shenzhen, China



THIS DRAWING IS UNPUBLISHED. RELEASED FOR PUBLICATION . 19
© COPYRIGHT 19 BY AMP INCORPORATED, HARRISBURG, PA. ALL INTERNATIONAL RIGHTS RESERVED. AMP PRODUCTS MAY BE COVERED BY U.S. AND FOREIGN PATENTS AND/OR PATENTS PENDING.

REVISIONS						
P	F	ZONE	LTR	DESCRIPTION	DATE	APPROVED
✓	✓		0	RELEASE DRAWING PER M-6802	1-29-82	MSF/DH
✓			01	RESTORATION	8-1-85	KS/SJ
			A	REV PER EC 0730-0201-94	4-26-95	JH RS

- 1 SHEET METALS SCREWS NOT SUPPLIED.
- 2 TWO REQUIRED PER CONNECTOR.
- 3 DESIGNED TO ACCEPT CABLE WITH .200-.350 OUTSIDE DIAMETER.



ASSEMBLY DETAILS

641945-1

PART NO

UNLESS OTHERWISE SPECIFIED DIMENSIONS ARE IN INCHES. TOLERANCES ON: DECIMALS ±.015 ANGLES ±	CONTRACT NO	AMP AMP INCORPORATED Harrisburg, Pa. 17105	
	DR <i>m. Folan 1-29-82</i>		
MATERIAL NYLON 94V-0	CHK <i>D.S. Heide 2/3/82</i>	NAME STRAIN RELIEF, UNIVERSAL MATE-N-LOK, 3 CIRCUIT	
	APPD <i>B.E. Quillo 2/3/82</i>	SIZE C	FSCM NO 00779
	DSGN APPD	DRAWING NO 641945	
	OTHER APPD	SCALE 2-1	SHEET