



Chipsmall Limited consists of a professional team with an average of over 10 year of expertise in the distribution of electronic components. Based in Hongkong, we have already established firm and mutual-benefit business relationships with customers from,Europe,America and south Asia,supplying obsolete and hard-to-find components to meet their specific needs.

With the principle of “Quality Parts,Customers Priority,Honest Operation,and Considerate Service”,our business mainly focus on the distribution of electronic components. Line cards we deal with include Microchip,ALPS,ROHM,Xilinx,Pulse,ON,Everlight and Freescale. Main products comprise IC,Modules,Potentiometer,IC Socket,Relay,Connector.Our parts cover such applications as commercial,industrial, and automotives areas.

We are looking forward to setting up business relationship with you and hope to provide you with the best service and solution. Let us make a better world for our industry!



Contact us

Tel: +86-755-8981 8866 Fax: +86-755-8427 6832

Email & Skype: info@chipsmall.com Web: www.chipsmall.com

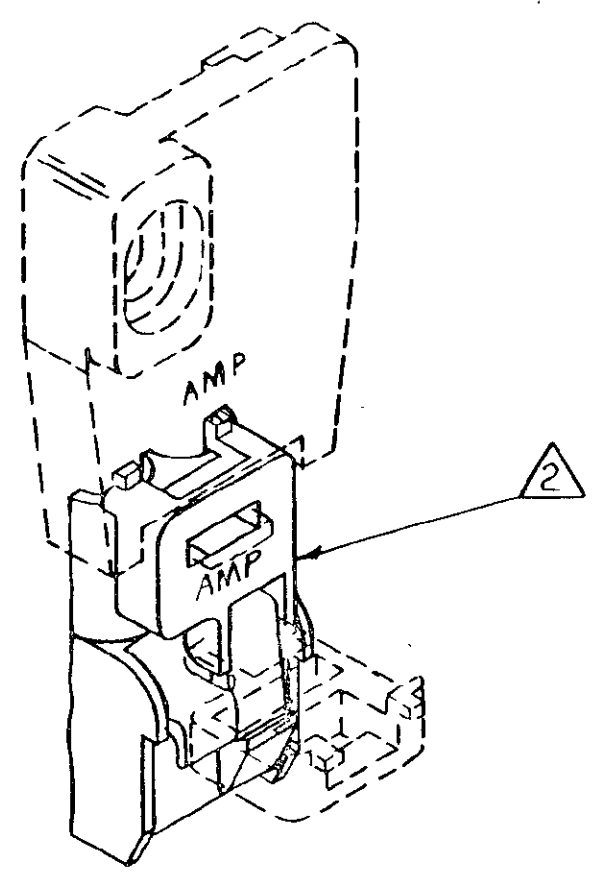
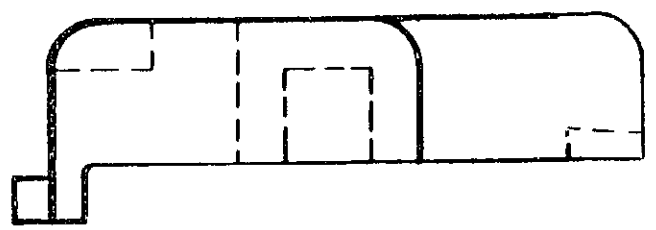
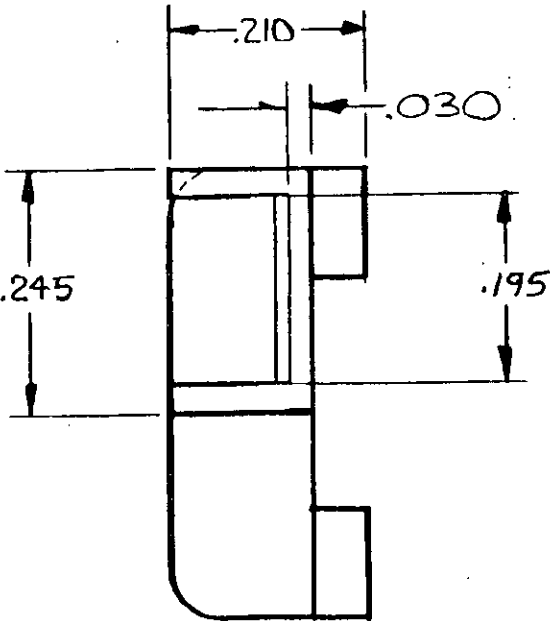
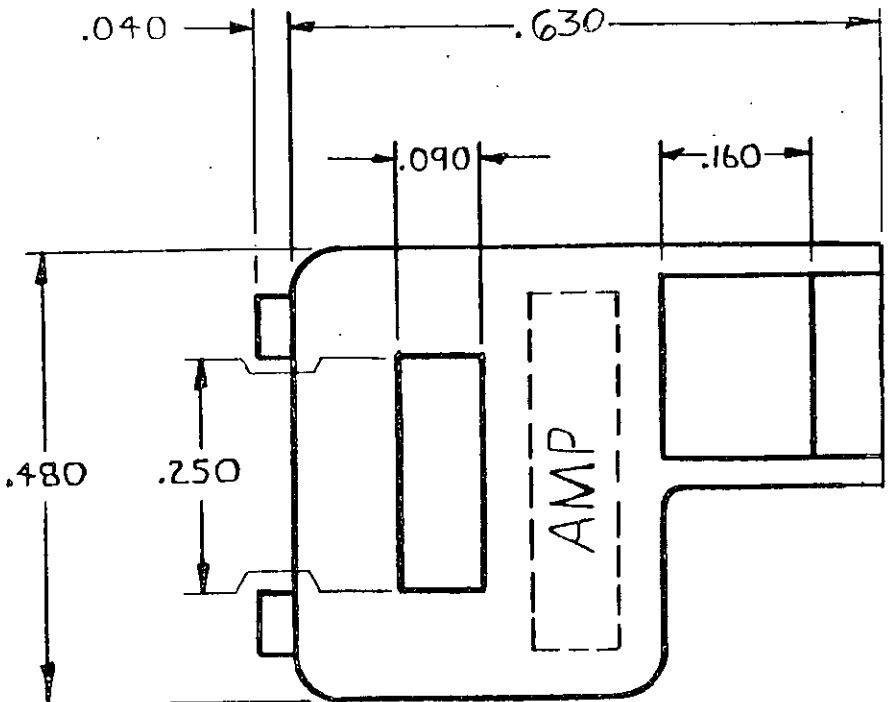
Address: A1208, Overseas Decoration Building, #122 Zhenhua RD., Futian, Shenzhen, China



DRAWING MADE IN THIRD ANGLE PROJECTION

THIS DRAWING IS UNPUBLISHED. RELEASED FOR PUBLICATION. 19
 © COPYRIGHT 19 BY AMP INCORPORATED, HARRISBURG, PA. ALL INTERNATIONAL RIGHTS RESERVED. AMP PRODUCTS MAY BE COVERED BY U.S. AND FOREIGN PATENTS AND/OR PATENTS PENDING.

REVISIONS						
P	F	ZONE	LTR	DESCRIPTION	DATE	APPROVED
			O	RELEASE DRAWING PER M-6873	2-8-82	MSF/SH
			A	.630 WAS .605 .025 WAS .045 M-730A	3/15/83	DAS/SH
			B	.030 WAS .025 PER M-735B	5/19/83	TW/SH
			B1	RESTORATION	8-3-85	SS/SH
			C	REV PER EC 0730-0201-94	4-26-95	JH RS



1 FOR USE WITH 2 AND 6 CIRCUIT CAP HOUSINGS AND APPROPRIATE STRAIN RELIEF (ENCLOSED VERSION).
 2 ADAPTER ATTACHES TO CAP HOUSING AS SHOWN PROVIDING FEATURE TO ATTACH STRAIN RELIEF.

BRICK RED OR WHITE	NYLON 94V-0	643182-2
NATURAL	NYLON 94V-2	643182-1
COLOR	MATERIAL	PART NO

UNLESS OTHERWISE SPECIFIED DIMENSIONS ARE IN INCHES. TOLERANCES ON: DECIMALS ± .015 ANGLES ±	CONTRACT NO	AMP AMP INCORPORATED Harrisburg, Pa. 17105	
	DR <i>m. Fehen 3-3-82</i>		
MATERIAL SEE TABLE	CHK <i>D.S. Heide 3/21/82</i>	APPD <i>[Signature]</i>	DRAWING NO 643182
COLOR SEE TABLE	APPD	DSGN APPD	SIZE C
	OTHER APPD	FSCM NO 00779	SHEET
		SCALE 5-1	