



Chipsmall Limited consists of a professional team with an average of over 10 year of expertise in the distribution of electronic components. Based in Hongkong, we have already established firm and mutual-benefit business relationships with customers from,Europe,America and south Asia,supplying obsolete and hard-to-find components to meet their specific needs.

With the principle of “Quality Parts,Customers Priority,Honest Operation,and Considerate Service”,our business mainly focus on the distribution of electronic components. Line cards we deal with include Microchip,ALPS,ROHM,Xilinx,Pulse,ON,Everlight and Freescale. Main products comprise IC,Modules,Potentiometer,IC Socket,Relay,Connector.Our parts cover such applications as commercial,industrial, and automotives areas.

We are looking forward to setting up business relationship with you and hope to provide you with the best service and solution. Let us make a better world for our industry!



## Contact us

Tel: +86-755-8981 8866 Fax: +86-755-8427 6832

Email & Skype: info@chipsmall.com Web: www.chipsmall.com

Address: A1208, Overseas Decoration Building, #122 Zhenhua RD., Futian, Shenzhen, China



DRAWING MADE IN THIRD ANGLE PROJECTION

3

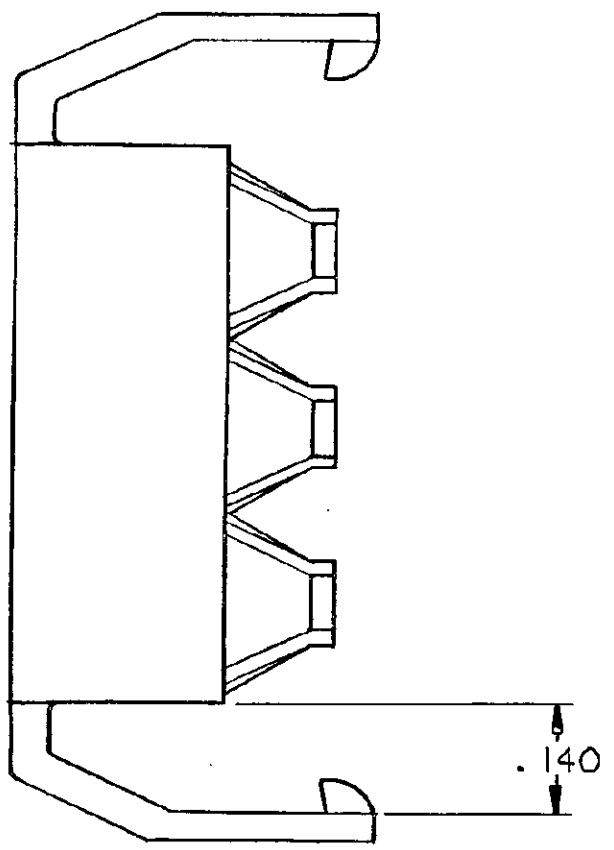
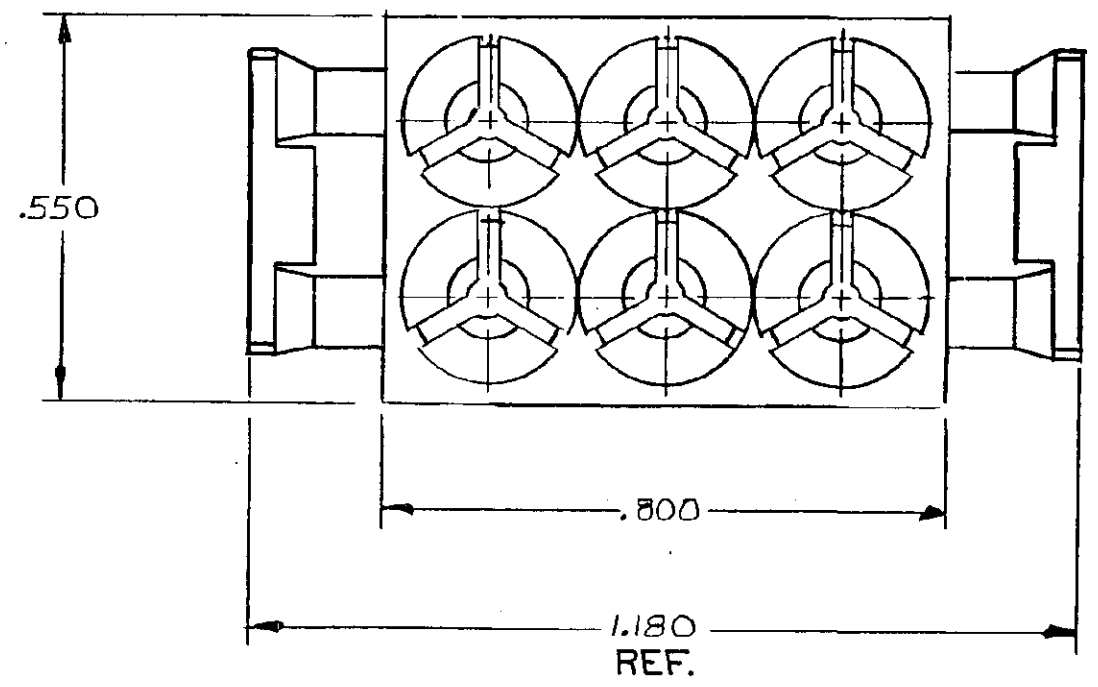
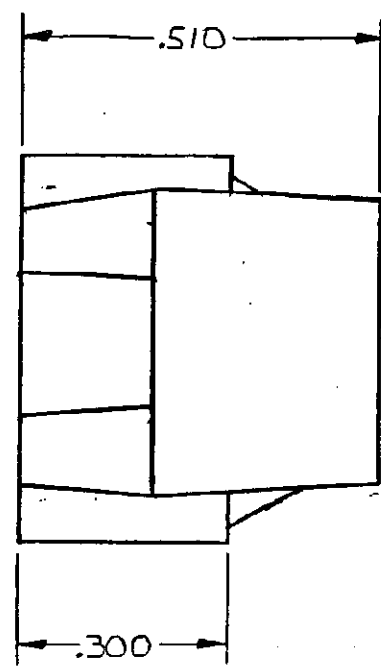
2

1

LOC CM 53

THIS DRAWING IS UNPUBLISHED. RELEASED FOR PUBLICATION  
 © COPYRIGHT 19 BY AMP INCORPORATED, HARRISBURG, PA. ALL INTERNATIONAL RIGHTS RESERVED. AMP PRODUCTS MAY BE COVERED BY U.S. AND FOREIGN PATENTS AND/OR PATENTS PENDING.

P	F	ZONE	LTR	DESCRIPTION	DATE	APPROVED
✓	✓		D	RELEASE DRAWING PER T.T.I. 82-82	7/14/82	MSF/EN
✓	✓		A	REVISED M-7087, M-7105	8/21/82	DAS/DH
✓	✓		B	REVISED NAME, M-7223	1/3/83	DAS/DH
✓	✓		B1	RESTORATION	8-3-85	SS/KS
✓	✓		C	REVISE PER CM-1282	10-26-87	PH/RS
✓	✓		D	REVISED PER CM-1489	5-24-88	PH/RS
✓	✓		E	REVISED PER CM 2704	1-30-90	TB/RS
✓	✓		F	REV PER EC 0730-0054-95	3-30-95	JH/RS



- ASSEMBLY INSTRUCTIONS:  
 SNAP MODULE ONTO HOUSING;  
 FULLY INSERT CONTACTS THRU MODULE AND INTO HOUSING (NOTE: SEVERAL CLICKS CAN BE HEARD AS THE CONTACT IS PUSHED IN PLACE),  
 DISENGAGE LATCHES ON MODULE AND SLIDE BACK FROM END OF HOUSING;  
 CHECK FOR ANY CONTACTS NOT FULLY INSERTED INTO HOUSING; INSERT ANY CONTACTS NOT LOCKED IN HOUSING,  
 PUSH MODULE BACK AGAINST HOUSING UNTIL LATCHES ARE ENGAGED.
- MODULE WILL ACCEPT MAXIMUM WIRE OUTSIDE DIA OF .160.

643253-1

PART NO

UNLESS OTHERWISE SPECIFIED DIMENSIONS ARE IN INCHES. TOLERANCES ON: DECIMALS ±.015 ANGLES ±	CONTRACT NO	AMP   AMP INCORPORATED Harrisburg, Pa. 17105	
	DR M. Felton 7-14-82	NAME	
MATERIAL NYLON 94V-0	CHK C. A. / 7-22-82	ASSEMBLY MODULE, UNIVERSAL MATE-N-LOK™, 6 CIRCUIT	
FINISH	APPD C. A. / 7-14-82	SIZE C	FSCM NO 00779
	OSGN APPD	DRAWING NO 643253	
	OTHER APPD	SCALE 4-1	SHEET