



Chipsmall Limited consists of a professional team with an average of over 10 year of expertise in the distribution of electronic components. Based in Hongkong, we have already established firm and mutual-benefit business relationships with customers from,Europe,America and south Asia,supplying obsolete and hard-to-find components to meet their specific needs.

With the principle of "Quality Parts,Customers Priority,Honest Operation,and Considerate Service",our business mainly focus on the distribution of electronic components. Line cards we deal with include Microchip,ALPS,ROHM,Xilinx,Pulse,ON,Everlight and Freescale. Main products comprise IC,Modules,Potentiometer,IC Socket,Relay,Connector.Our parts cover such applications as commercial,industrial, and automotives areas.

We are looking forward to setting up business relationship with you and hope to provide you with the best service and solution. Let us make a better world for our industry!



Contact us

Tel: +86-755-8981 8866 Fax: +86-755-8427 6832

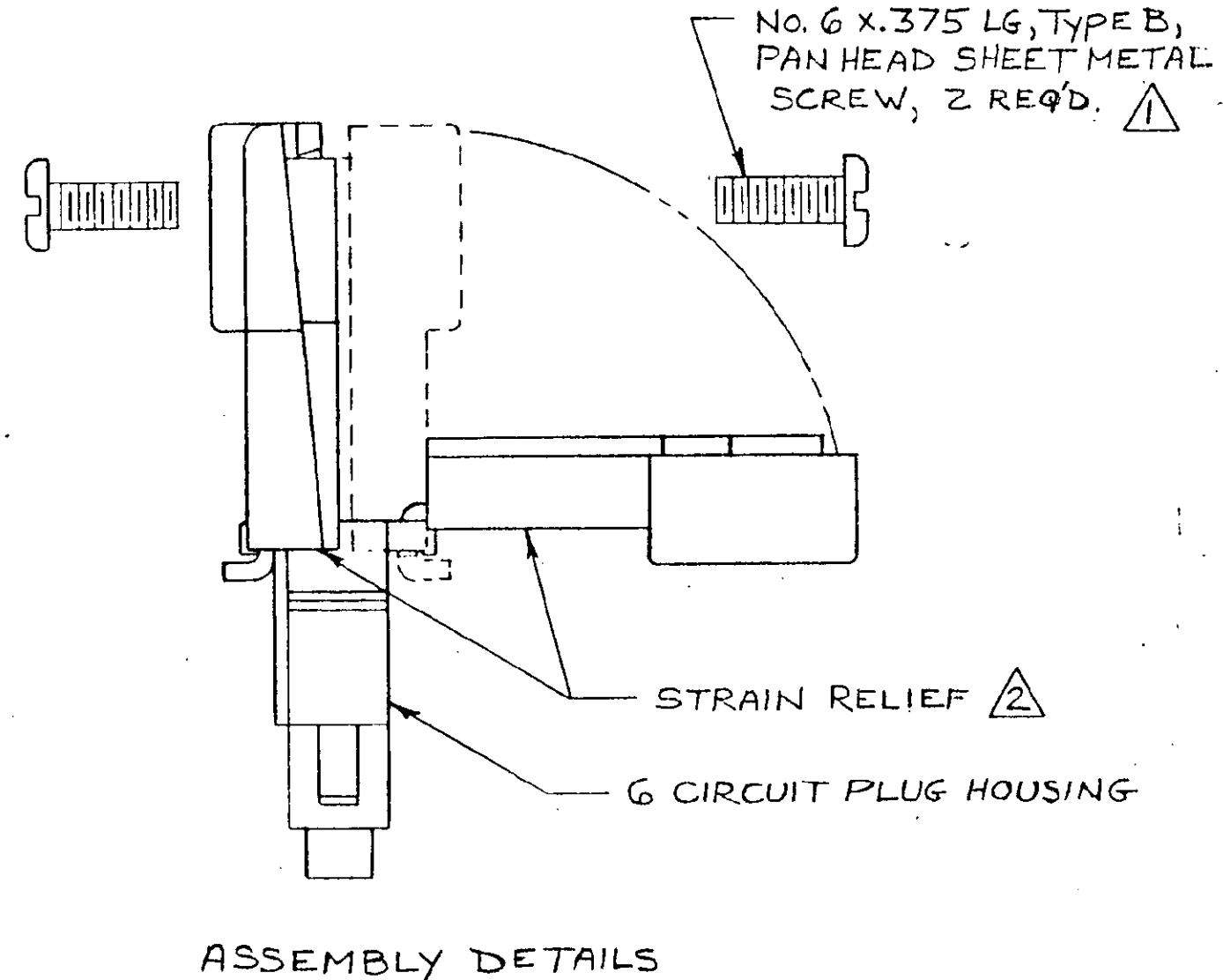
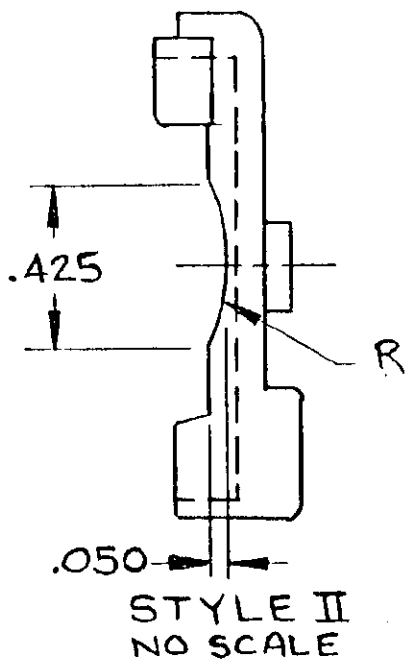
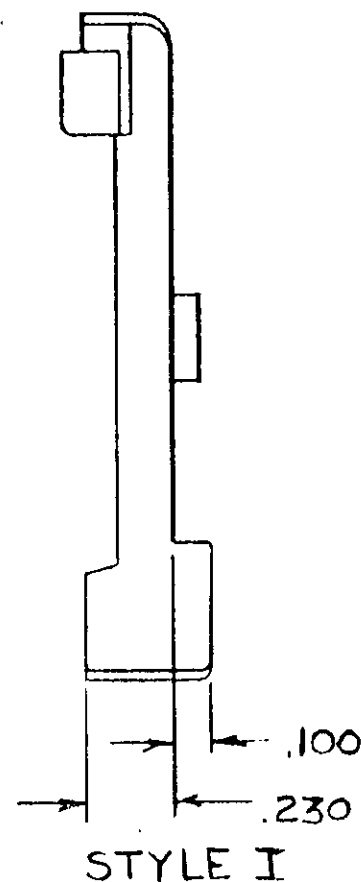
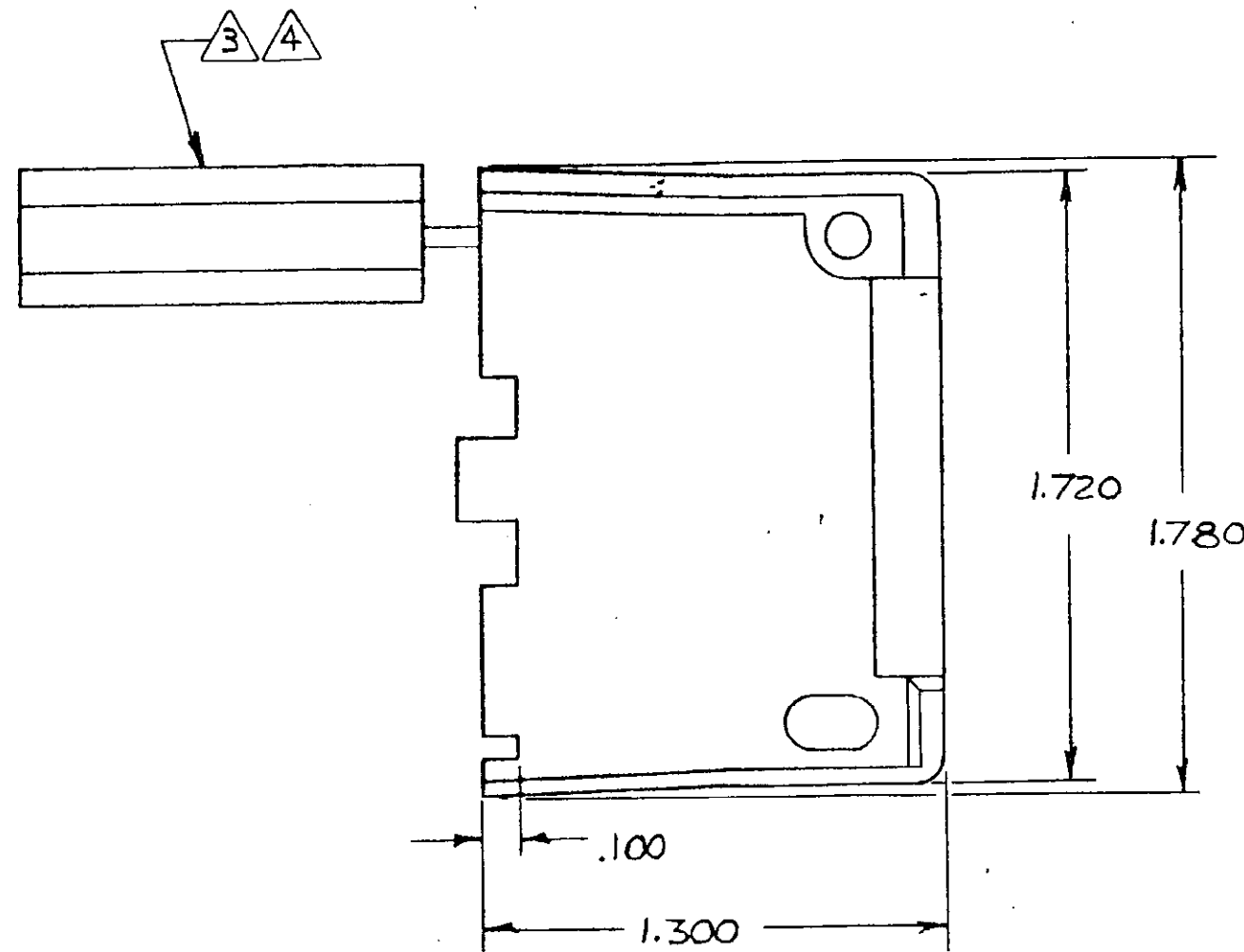
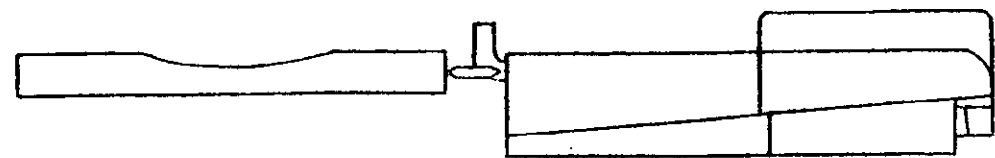
Email & Skype: info@chipsmall.com Web: www.chipsmall.com

Address: A1208, Overseas Decoration Building, #122 Zhenhua RD., Futian, Shenzhen, China



THIS DRAWING IS UNPUBLISHED. RELEASED FOR PUBLICATION, 19
 © COPYRIGHT 19 BY AMP INCORPORATED, HARRISBURG, PA. ALL INTERNATIONAL RIGHTS RESERVED. AMP PRODUCTS MAY BE COVERED BY U.S. AND FOREIGN PATENTS AND/OR PATENTS PENDING.

REVISIONS						
P	F	ZONE	LTR	DESCRIPTION	DATE	APPROVED
			D	RELEASE DRAWING PER TTI 82-118	7-23-82	MSF/D.H.
A			A	ADDED -2 PER TTI 83-133	11-1-83	KW/gj
			A1	RESTORATION	8-3-85	SJ/90
			B	REV PER ECN CM 705	12/1/86	TB/RS
			C	REV PER EC 0730-0201-94	4-26-95	JH/RS



- 1 SHEET METAL SCREWS NOT SUPPLIED
- 2 TWO REQUIRED PER CONNECTOR.
- 3 MAX WIRE BUNDLE WITHOUT INSERT IS 6 AT .190 DIA. AND MIN WIRE BUNDLE WITH INSERT IS 6 AT .040 DIA.
- 4 STYLE II DOES NOT INCLUDE INSERT.
- 5. DETACHABLE INSERT MAY SEPARATE FROM STRAIN RELIEF BODY DURING SHIPPING.

NYLON 94 V-0	II	643313-2
NYLON 94 V-0	I	643313-1
MATERIAL	STYLE	PART NO.

UNLESS OTHERWISE SPECIFIED DIMENSIONS ARE IN INCHES. TOLERANCES ON: DECIMALS ±.015 ANGLES ±	CONTRACT NO		AMP INCORPORATED Harrisburg, Pa. 17105	
	DP	DP		
MATERIAL SEE TABLE	CHK	CHK	NAME	
	APPD	APPD	STRAIN RELIEF AND INSERT, UNIVERSAL MATE-N-LOK™ 6 CIRCUIT	
FINISH SEE TABLE	DSGN APPD	DSGN APPD	SIZE	FSCM NO
	OTHER APPD	OTHER APPD	C	00779
			DRAWING NO	643313
			SCALE	2:1
			SHEET	1 OF 1

-2 WAS CP83 51592-2

A