



Chipsmall Limited consists of a professional team with an average of over 10 year of expertise in the distribution of electronic components. Based in Hongkong, we have already established firm and mutual-benefit business relationships with customers from,Europe,America and south Asia,supplying obsolete and hard-to-find components to meet their specific needs.

With the principle of “Quality Parts,Customers Priority,Honest Operation,and Considerate Service”,our business mainly focus on the distribution of electronic components. Line cards we deal with include Microchip,ALPS,ROHM,Xilinx,Pulse,ON,Everlight and Freescale. Main products comprise IC,Modules,Potentiometer,IC Socket,Relay,Connector.Our parts cover such applications as commercial,industrial, and automotives areas.

We are looking forward to setting up business relationship with you and hope to provide you with the best service and solution. Let us make a better world for our industry!



## Contact us

Tel: +86-755-8981 8866 Fax: +86-755-8427 6832

Email & Skype: info@chipsmall.com Web: www.chipsmall.com

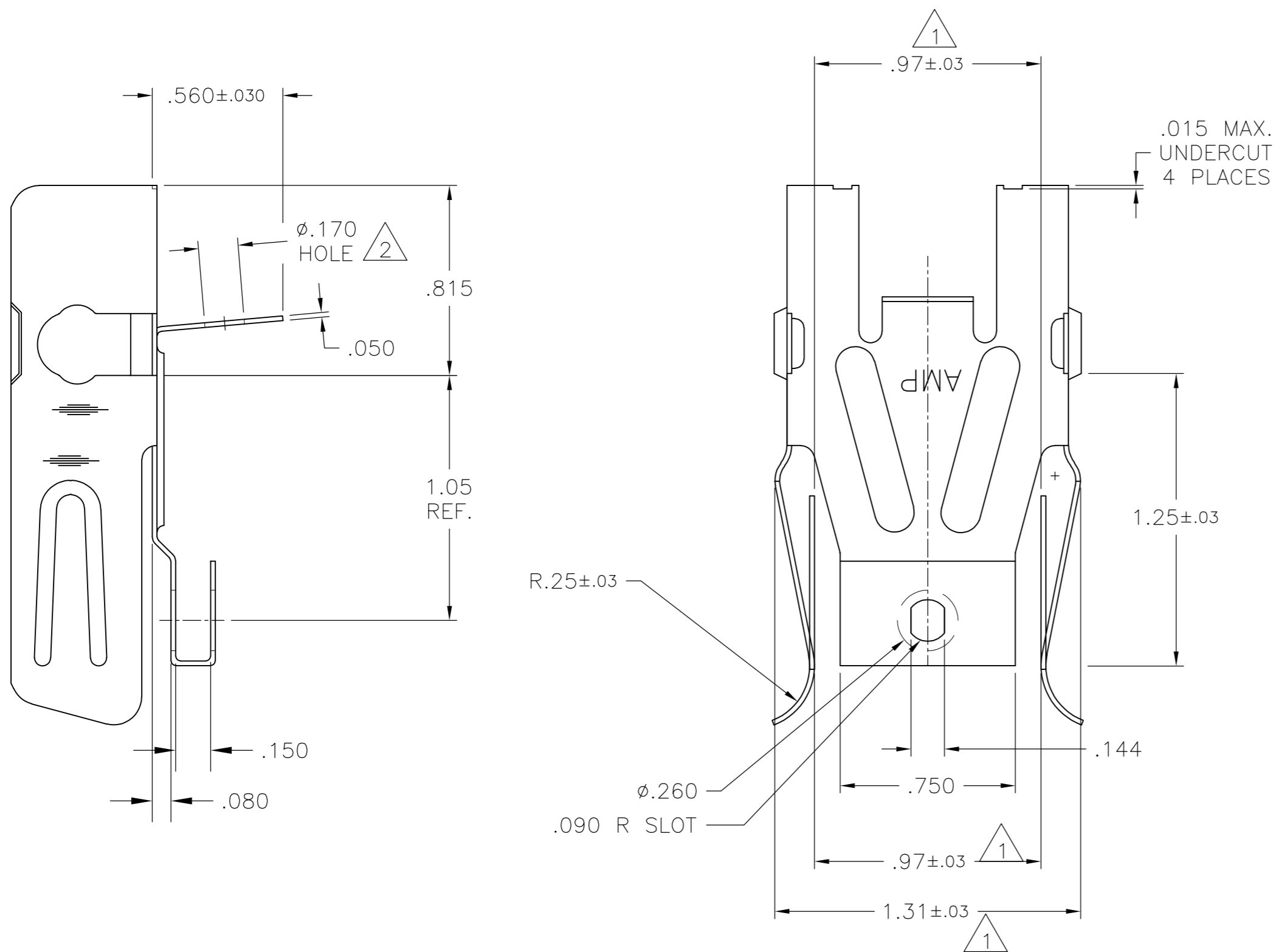
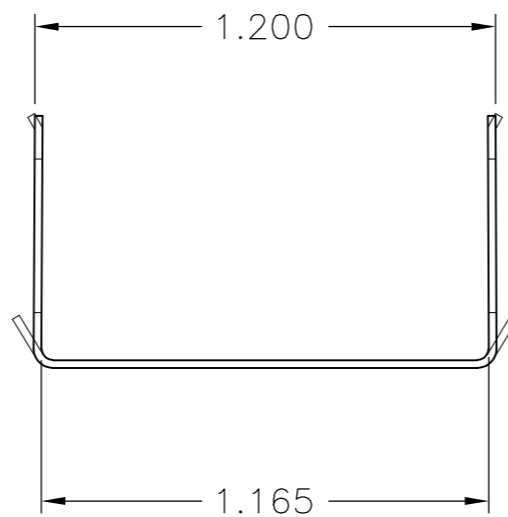
Address: A1208, Overseas Decoration Building, #122 Zhenhua RD., Futian, Shenzhen, China



THIS DRAWING IS UNPUBLISHED. RELEASED FOR PUBLICATION  
 © COPYRIGHT BY TYCO ELECTRONICS CORPORATION. ALL RIGHTS RESERVED.

LOC	DIST	REVISIONS					
AF	15	P	LTR	DESCRIPTION	DATE	DWN	APVD
		M1		REVISED PER ECR-08-006534	04APR08	HMR	GJ
		M2		REVISED PER ECR-15-017388	09DEC15	JJ	TD

- △1 DIMENSIONS TO BE CHECKED WHEN SIDES ARE PARALLEL WITH 1.165 DIMENSIONS
- △2 FOR 10-32 MACHINE SCREW
- △3 SUPERSEDED BY 640750-1.



△3 OBSOLETE 643323-1  
 PART NO

THIS DRAWING IS A CONTROLLED DOCUMENT.		DWN 14SEP06 RAGHAVENDRA	Tyco Electronics Corporation Harrisburg, PA 17105-3608	
DIMENSIONS: INCHES		CHK D.F. DECKER	NAME	
TOLERANCES UNLESS OTHERWISE SPECIFIED:		APVD D.F. DECKER	CLIP, LOOSE PIECE, HEAVY DUTY BURNER CONNECTOR	
0 PLC ± -		PRODUCT SPEC	SIZE A2	CAGE CODE 00779
1 PLC ± -		APPLICATION SPEC	DRAWING NO C=643323	RESTRICTED TO
2 PLC ± -		114-1028	SCALE 2:1	SHEET 1 of 1
3 PLC ± .010		WEIGHT -	REV M2	
4 PLC ± -		CUSTOMER DRAWING		
ANGLES ± -				
FINISH -				