



Chipsmall Limited consists of a professional team with an average of over 10 year of expertise in the distribution of electronic components. Based in Hongkong, we have already established firm and mutual-benefit business relationships with customers from,Europe,America and south Asia,supplying obsolete and hard-to-find components to meet their specific needs.

With the principle of “Quality Parts,Customers Priority,Honest Operation,and Considerate Service”,our business mainly focus on the distribution of electronic components. Line cards we deal with include Microchip,ALPS,ROHM,Xilinx,Pulse,ON,Everlight and Freescale. Main products comprise IC,Modules,Potentiometer,IC Socket,Relay,Connector.Our parts cover such applications as commercial,industrial, and automotives areas.

We are looking forward to setting up business relationship with you and hope to provide you with the best service and solution. Let us make a better world for our industry!



Contact us

Tel: +86-755-8981 8866 Fax: +86-755-8427 6832

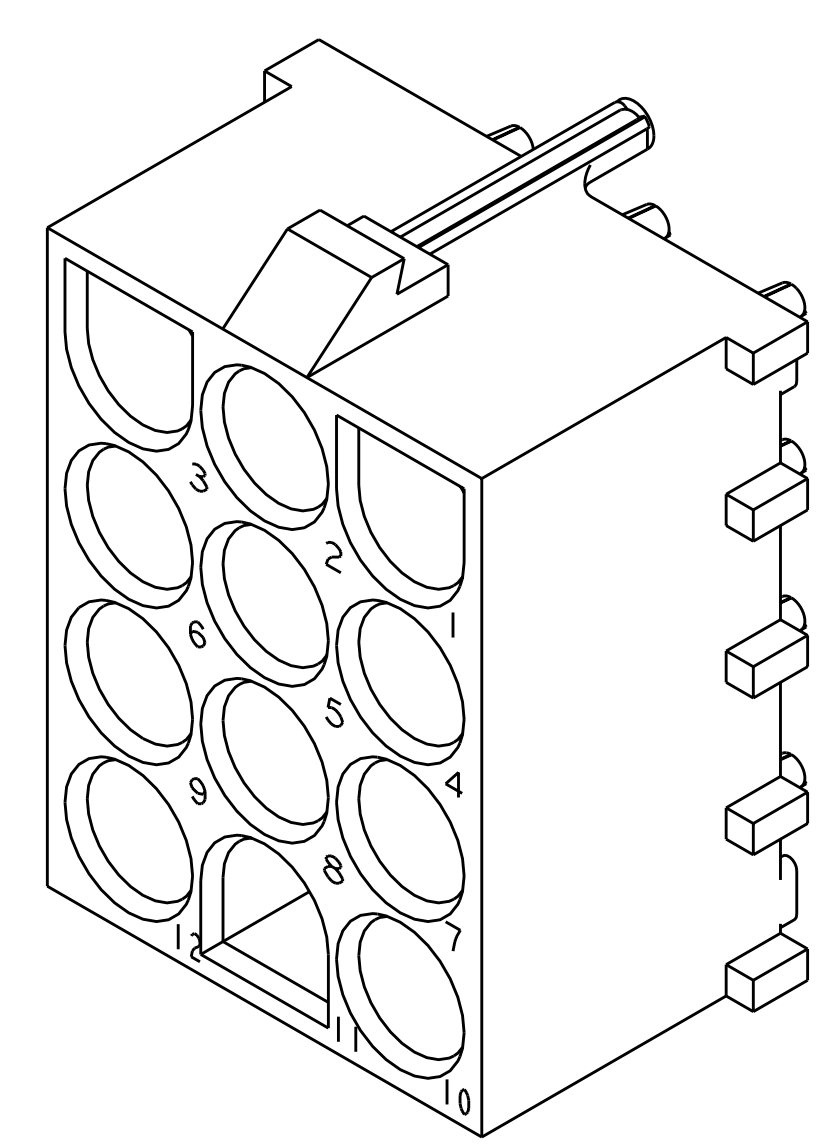
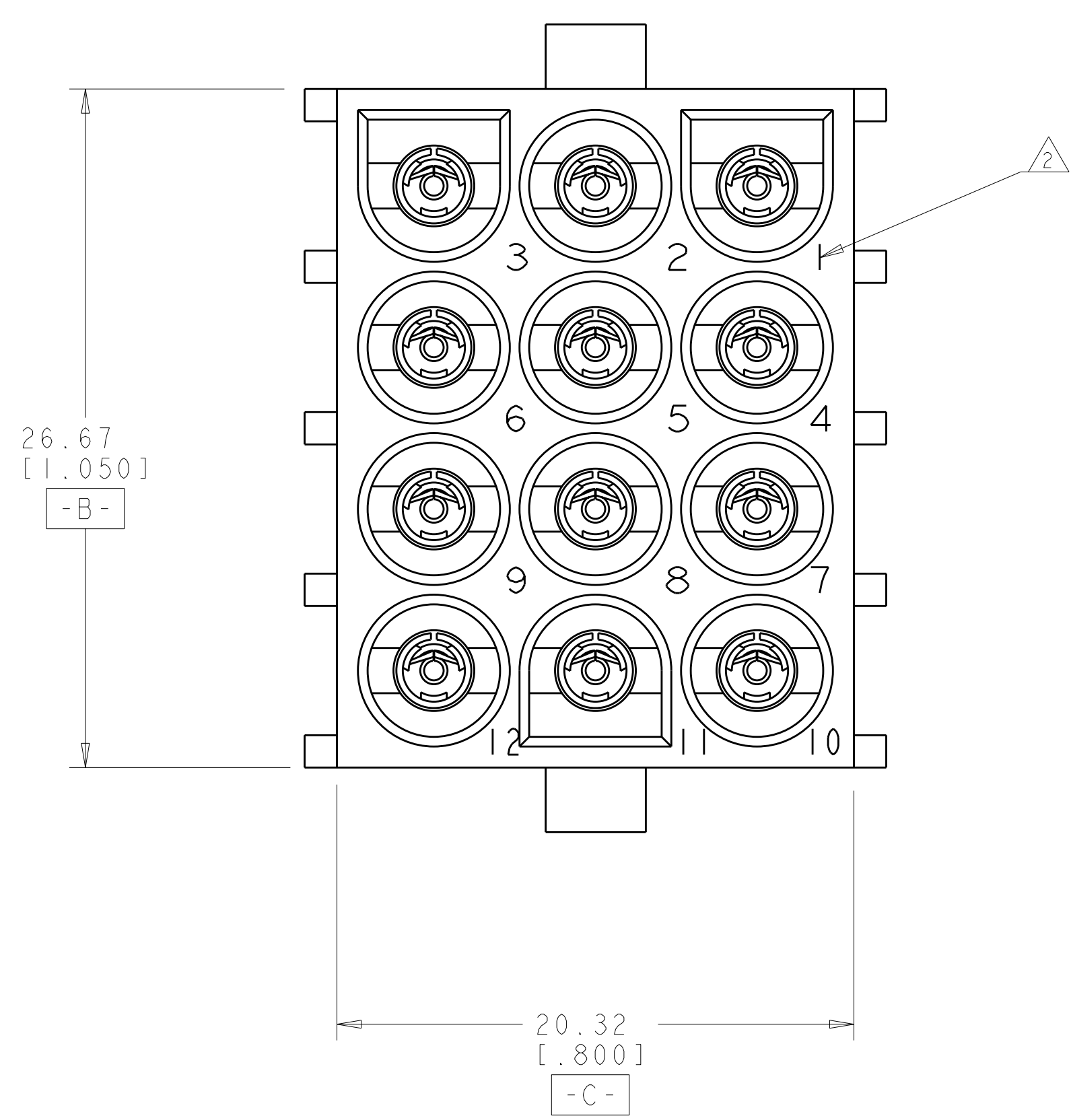
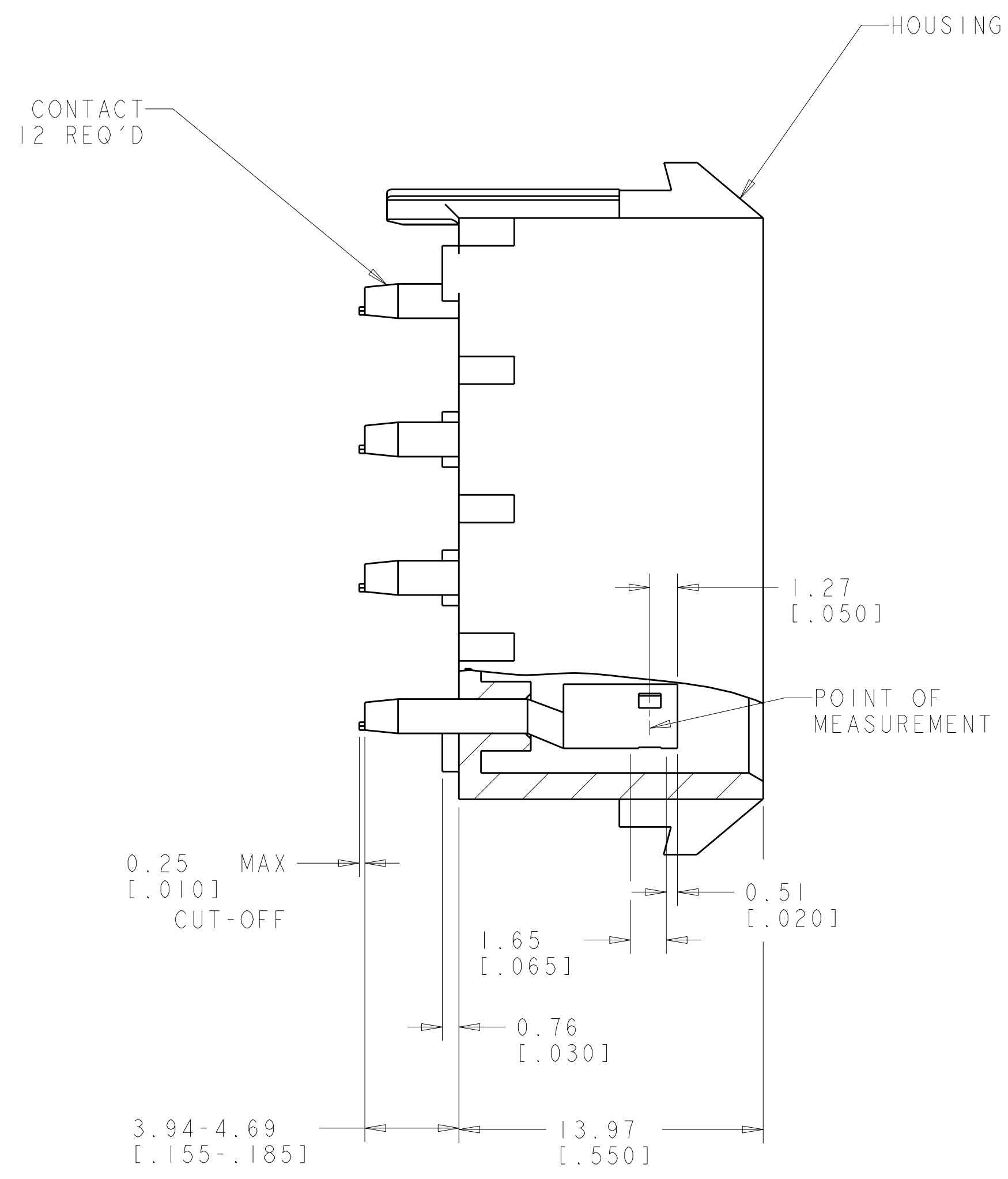
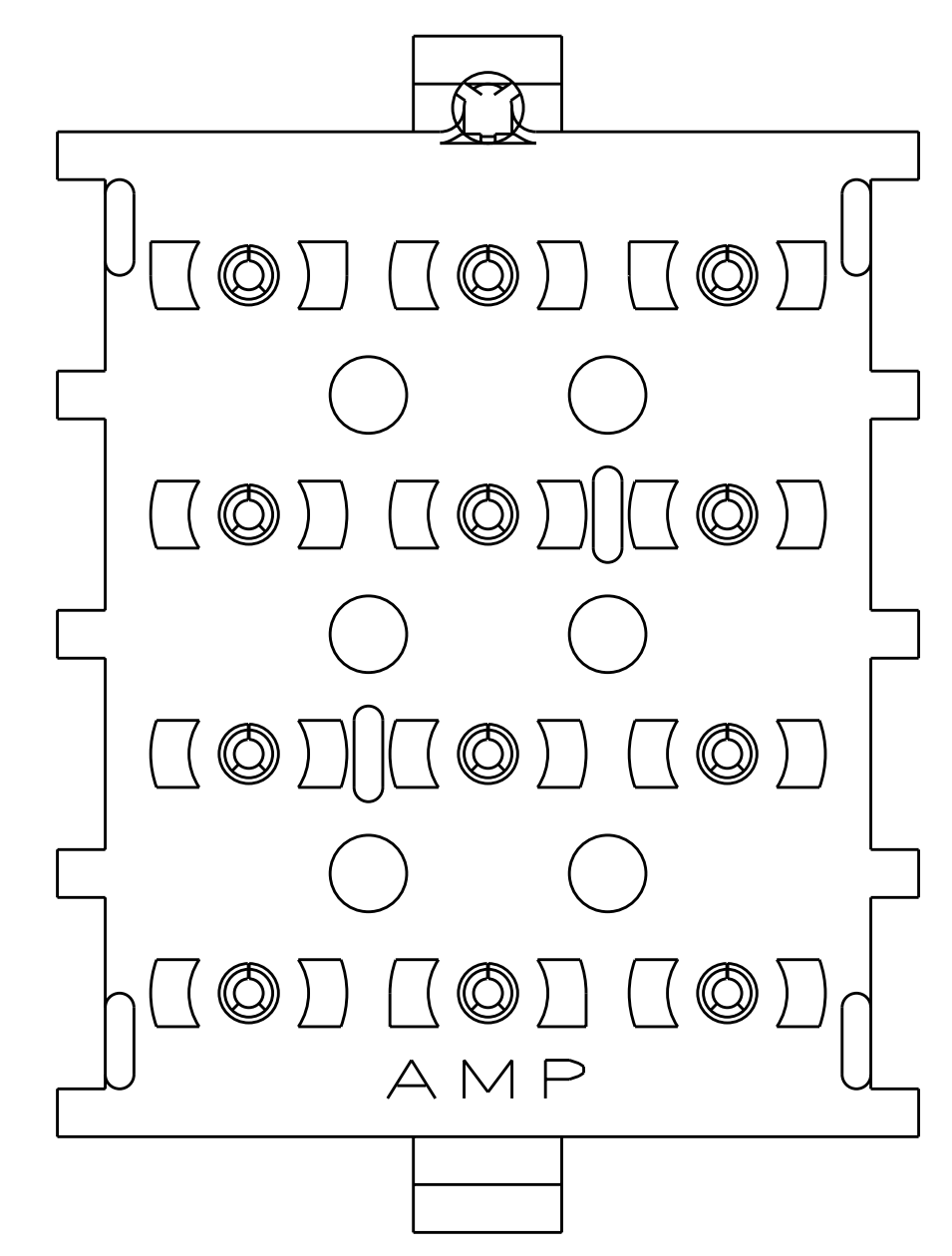
Email & Skype: info@chipsmall.com Web: www.chipsmall.com

Address: A1208, Overseas Decoration Building, #122 Zhenhua RD., Futian, Shenzhen, China

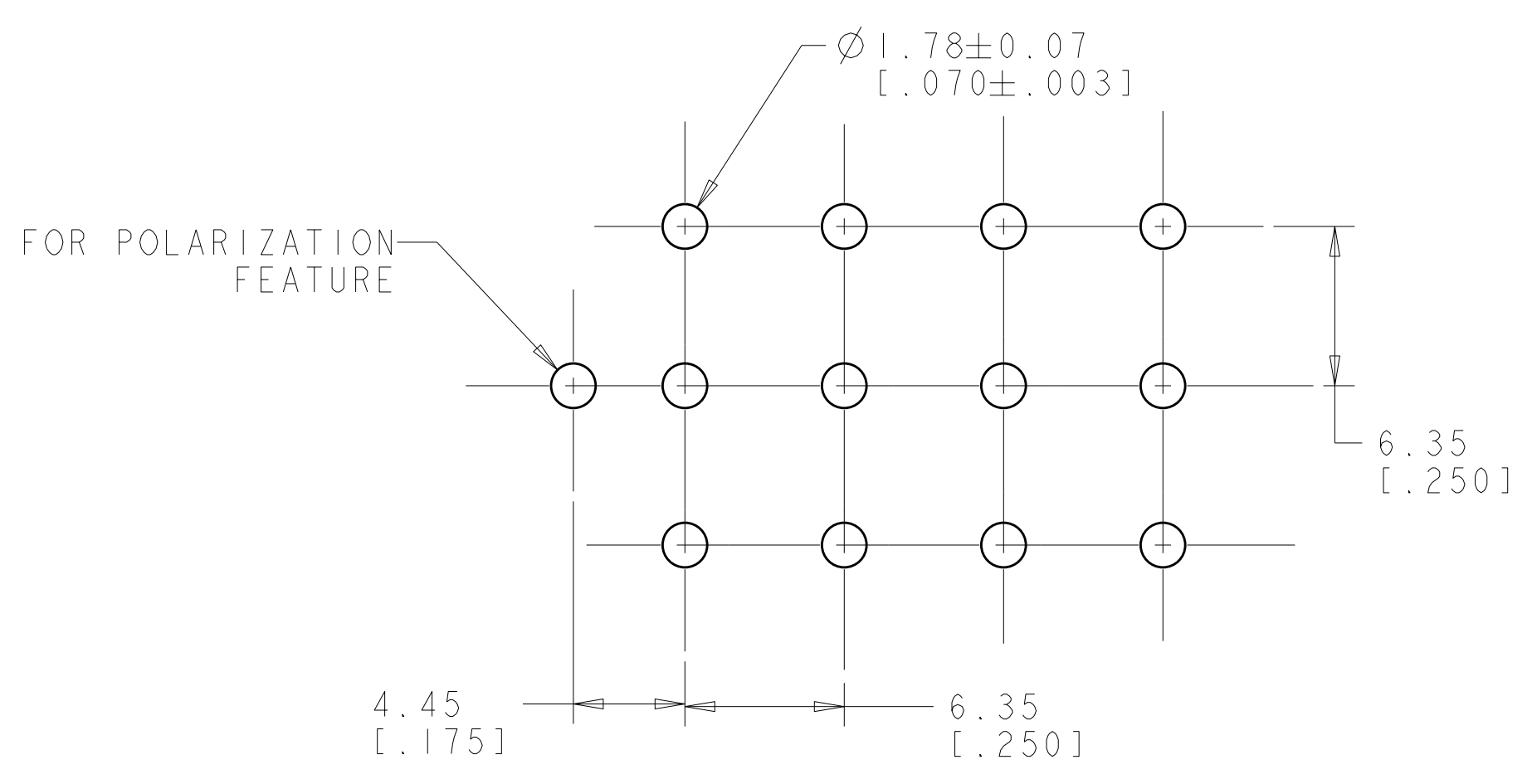


LOC	DIST	REVISIONS					
CM	00	P	LTB	DESCRIPTION	DATE	DWN	APVD
		H		REVISED PER 0638-0257-01	20-APR-01	KW	CJ
		H		ECO-07-028374	29NOV2007	KW	DC

- PARTS COMPLY WITH AMP SOLDERABILITY SPEC.109-11-2.
- CIRCUIT IDENTIFICATION CHARACTERS ARE ADJACENT TO THE INDICATED CAVITIES, BUT LOCATION AND ORIENTATION MAY DIFFER FROM PRINT.
- CONTACT IS PLATED OVERALL WITH 0.00127 [.000050] NICKEL, THEN 0.00076 [.000030] GOLD OVER CONTACT LENGTH INDICATED AND MATTE TIN ON SOLDER TAIL END.



3 DIMENSIONAL MODEL
SCALE 4:1



RECOMMENDED LAYOUT FOR
1.57 [.062] THICK P.C. BOARD

MATERIAL	FINISH	MATERIAL	COLOR	PART NO
PH BRZ	GOLD Δ	NYLON, 94V-0	BLACK	643428-3
PH BRZ	PRE-TIN	NYLON, 94V-0	BLACK	643428-2
PH BRZ	PRE-TIN	NYLON, 94V-0	WHITE	643428-1

DIMENSIONS: mm [INCHES]		TOLERANCES UNLESS OTHERWISE SPECIFIED:		DWN R. WHITAKER 01DEC2000 CHK S. RIDGILL 01DEC2000 APVD S. RIDGILL 01DEC2000		Tyco Electronics Harrisburg, PA 17105-3608	
9 PLC ± 1 PLC ±0.13(.005) 5 PLC ± 4 PLC ± ANGLES ±		FINISH SEE TABLE		NAME HEADER ASSEMBLY, SOCKET, POLARIZED, 12 CIRCUIT, UNIVERSAL MATE-N-LOK(TM)		SIZE CAGE CODE DRAWING NO RESTRICTED TO A 00779 C-643428	
MATERIAL SEE TABLE				WEIGHT -		CUSTOMER DRAWING SCALE 4:1 SHEET 1 OF 1 REV H	

