



Chipsmall Limited consists of a professional team with an average of over 10 year of expertise in the distribution of electronic components. Based in Hongkong, we have already established firm and mutual-benefit business relationships with customers from,Europe,America and south Asia,supplying obsolete and hard-to-find components to meet their specific needs.

With the principle of “Quality Parts,Customers Priority,Honest Operation,and Considerate Service”,our business mainly focus on the distribution of electronic components. Line cards we deal with include Microchip,ALPS,ROHM,Xilinx,Pulse,ON,Everlight and Freescale. Main products comprise IC,Modules,Potentiometer,IC Socket,Relay,Connector.Our parts cover such applications as commercial,industrial, and automotives areas.

We are looking forward to setting up business relationship with you and hope to provide you with the best service and solution. Let us make a better world for our industry!



## Contact us

Tel: +86-755-8981 8866 Fax: +86-755-8427 6832

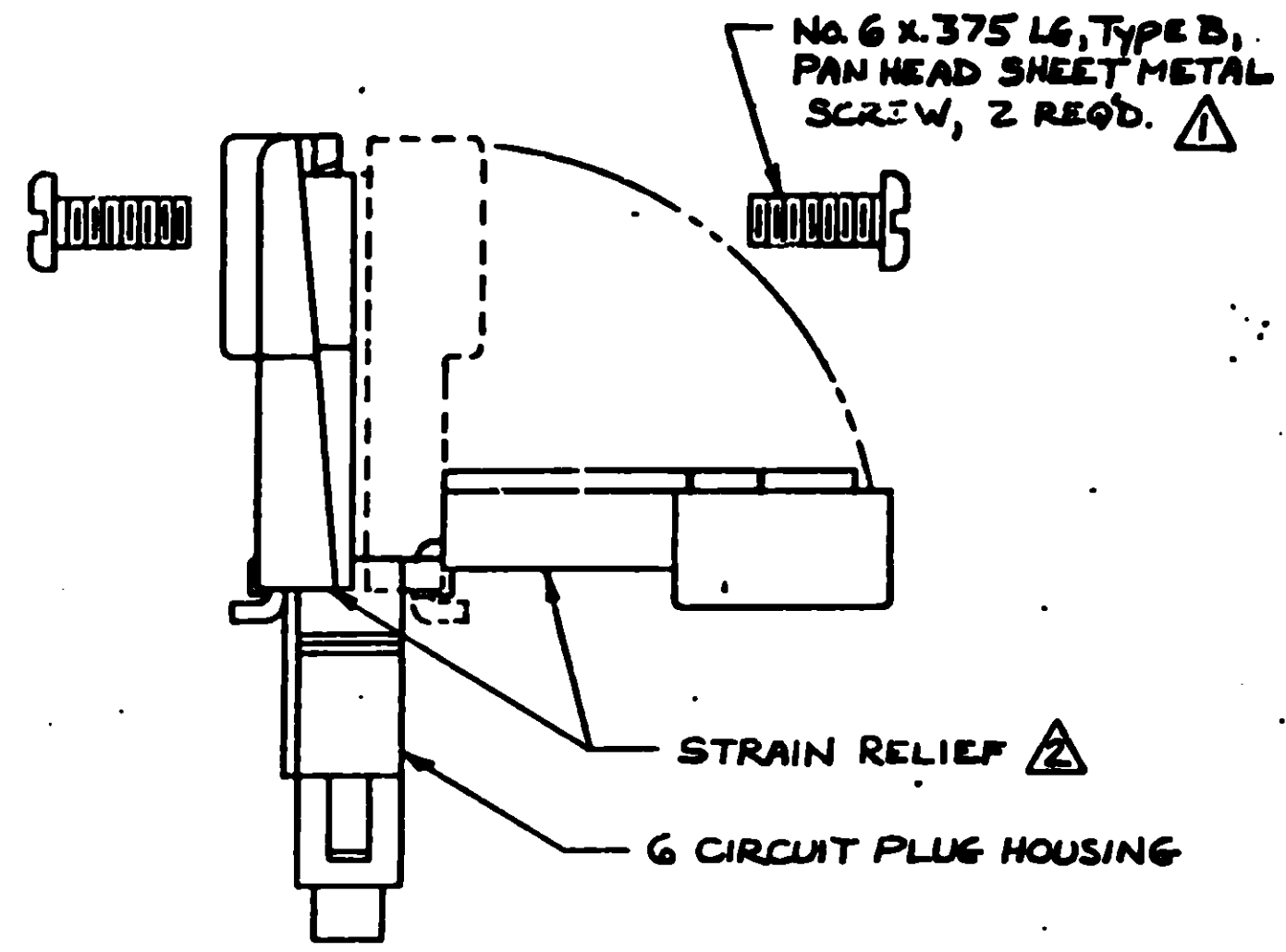
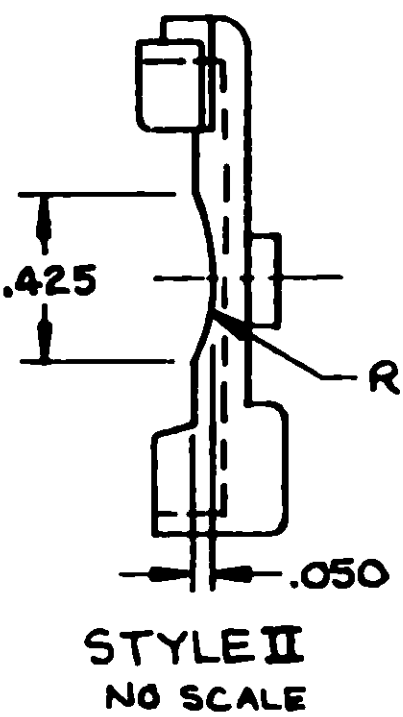
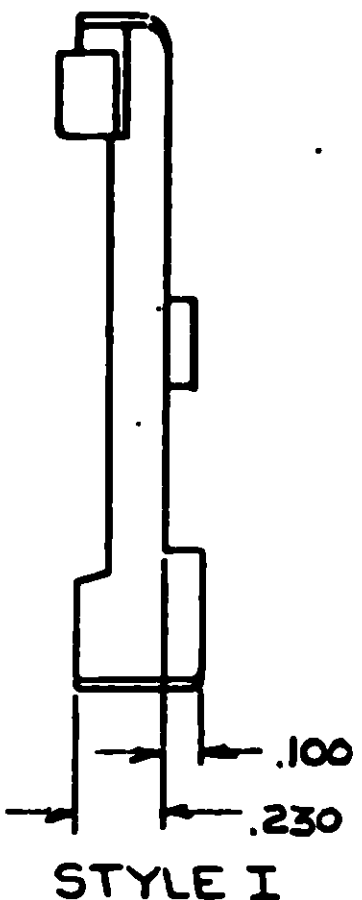
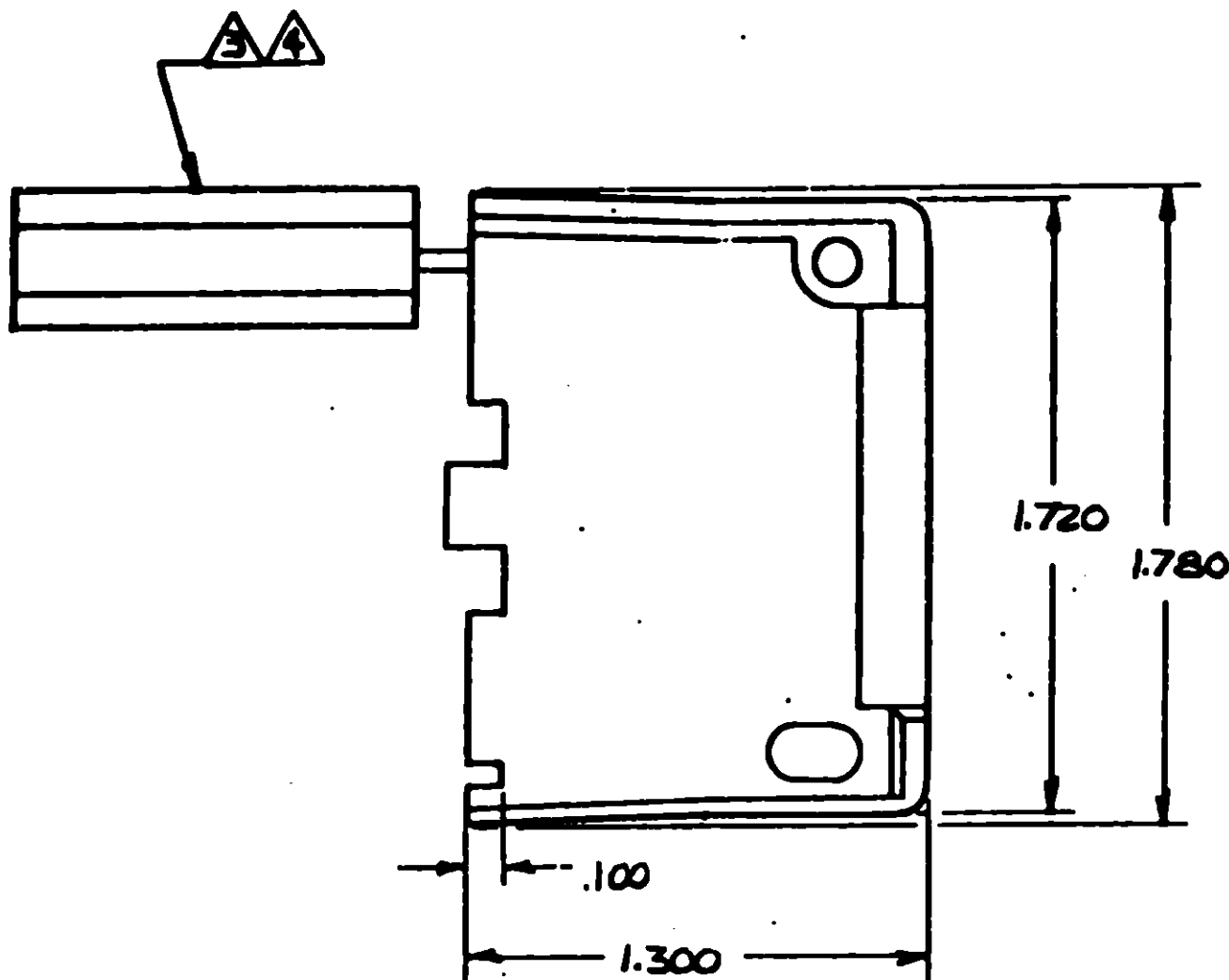
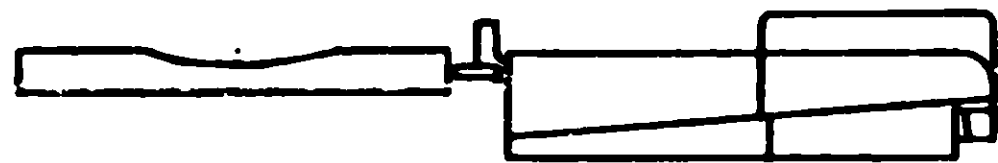
Email & Skype: info@chipsmall.com Web: www.chipsmall.com

Address: A1208, Overseas Decoration Building, #122 Zhenhua RD., Futian, Shenzhen, China



THIS DRAWING IS UNPUBLISHED. RELEASED FOR PUBLICATION  
 COPYRIGHT IS BY AMP INCORPORATED, HARRISBURG, PA. ALL INTERNATIONAL RIGHTS RESERVED. AMP PRODUCTS MAY BE COVERED BY U.S. AND FOREIGN PATENTS AND/OR PATENTS PENDING.

		REVISIONS		DATE	APPROVED
0	O	RELEASE DRAWING PER TTI-83-133		11/2/83	WJ/40
1	O	RESTORED		1/1/85	MD/25
2	A	REV PER EGN CM 705		4/16/85	TS/85



ASSEMBLY DETAILS

- ⚠ SHEET METAL SCREWS NOT SUPPLIED.
- ⚠ TWO REQUIRED PER CONNECTOR.
- ⚠ MAX WIRE BUNDLE WITHOUT INSERT IS 6 AT .190 DIA. AND MIN WIRE BUNDLE WITH INSERT IS 6 AT .040 DIA.
- ⚠ STYLE II DOES NOT INCLUDE INSERT.
- 5. DETACHABLE INSERT MAY SEPARATE FROM STRAIN RELIEF BODY DURING SHIPPING.

MATERIAL	STYLE	COLOR	PART NO.
NYLON94V2	II	NATURAL	643585-2
NYLON94V2	I	NATURAL	643585-1

UNLESS OTHERWISE SPECIFIED DIMENSIONS ARE IN INCHES. TOLERANCES ON: DECIMALS ±.015 ANGLES ±	CONTRACT NO	AMP   AMP INCORPORATED Harrisburg, Pa. 17105	
	DR <i>K. White</i> 10-31-83 CHK <i>S. James</i> 11-2-83		
MATERIAL SEE TABLE	APPD <i>B. E. Quillo</i> 1/2/85	SIZE C	FSCM NO 00779
FINISH SEE TABLE	DSGN APPD OTHER APPD	DRAWING NO 643585	SHEET 1 OF 1
		SCALE 2:1	