



Chipsmall Limited consists of a professional team with an average of over 10 year of expertise in the distribution of electronic components. Based in Hongkong, we have already established firm and mutual-benefit business relationships with customers from,Europe,America and south Asia,supplying obsolete and hard-to-find components to meet their specific needs.

With the principle of "Quality Parts,Customers Priority,Honest Operation,and Considerate Service",our business mainly focus on the distribution of electronic components. Line cards we deal with include Microchip,ALPS,ROHM,Xilinx,Pulse,ON,Everlight and Freescale. Main products comprise IC,Modules,Potentiometer,IC Socket,Relay,Connector.Our parts cover such applications as commercial,industrial, and automotives areas.

We are looking forward to setting up business relationship with you and hope to provide you with the best service and solution. Let us make a better world for our industry!



Contact us

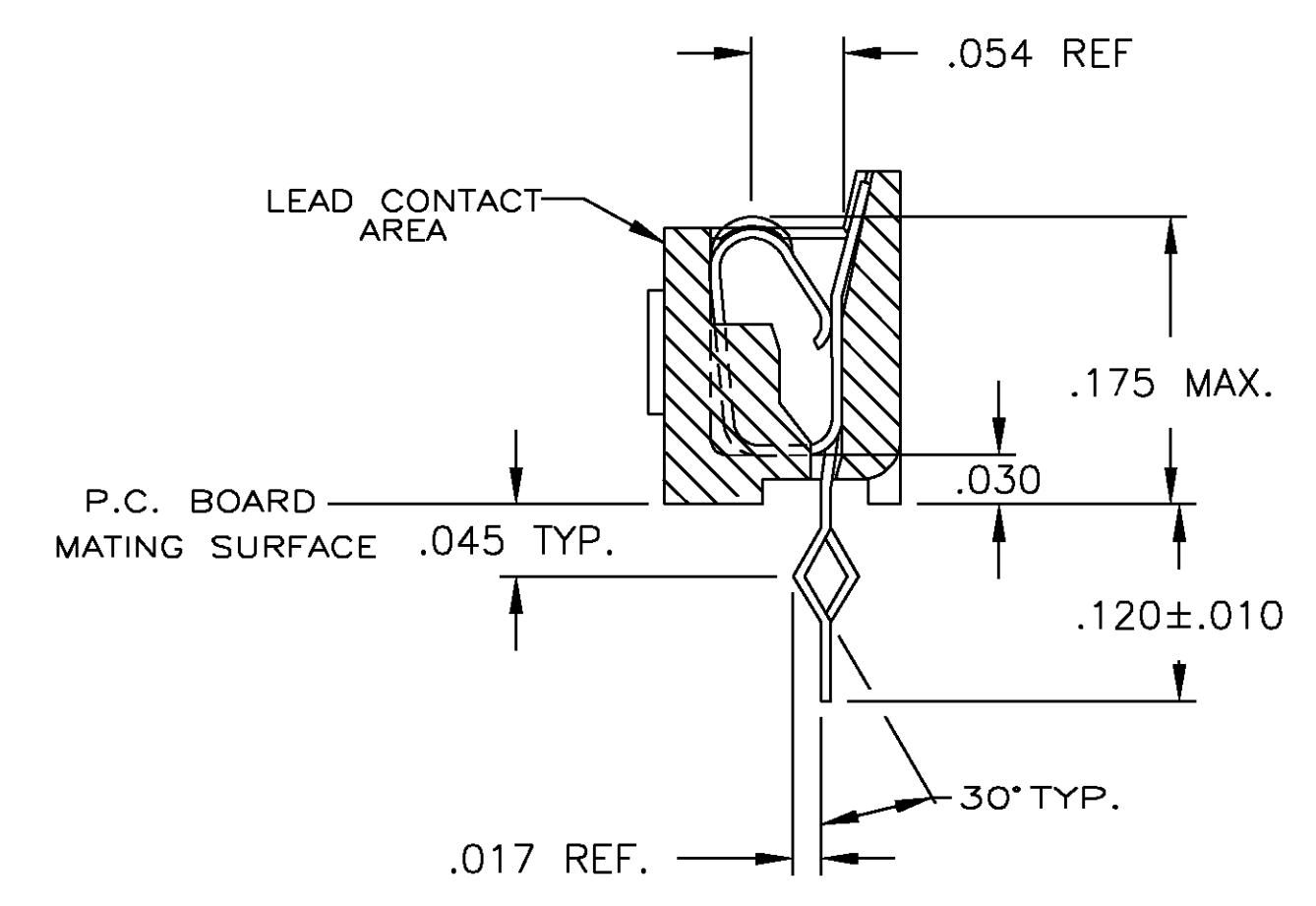
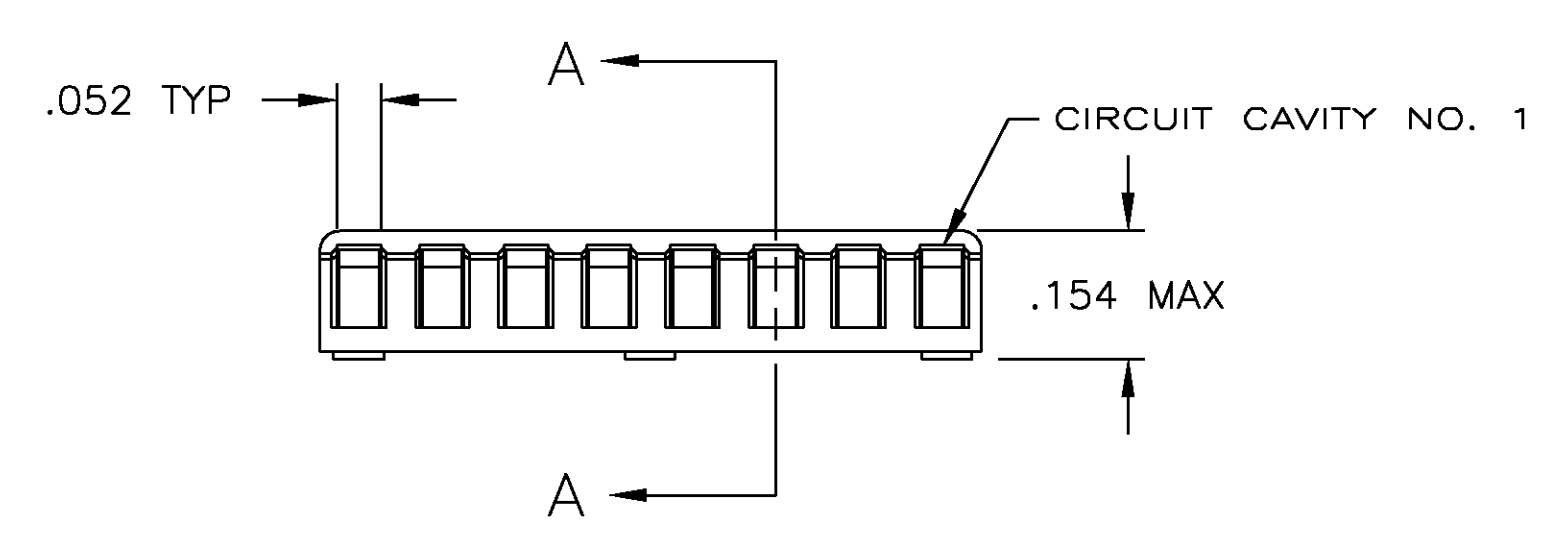
Tel: +86-755-8981 8866 Fax: +86-755-8427 6832

Email & Skype: info@chipsmall.com Web: www.chipsmall.com

Address: A1208, Overseas Decoration Building, #122 Zhenhua RD., Futian, Shenzhen, China

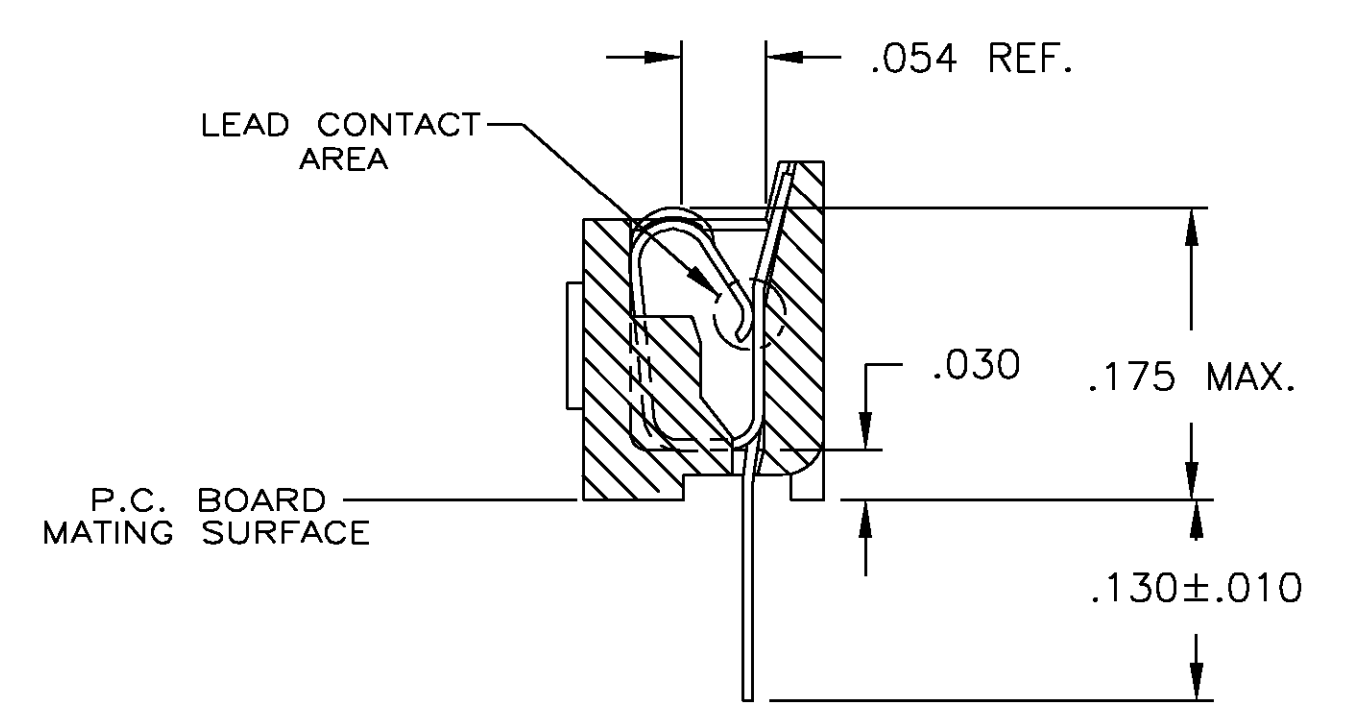


LOC		DIST		REVISIONS			
P	LN	REV	PER	DATE	BY	APPD	
M				24AUG00	BH	HW	

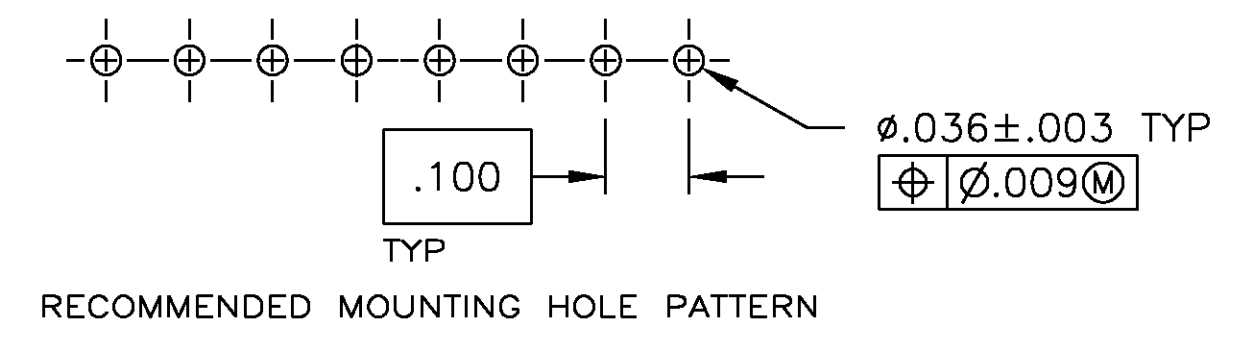
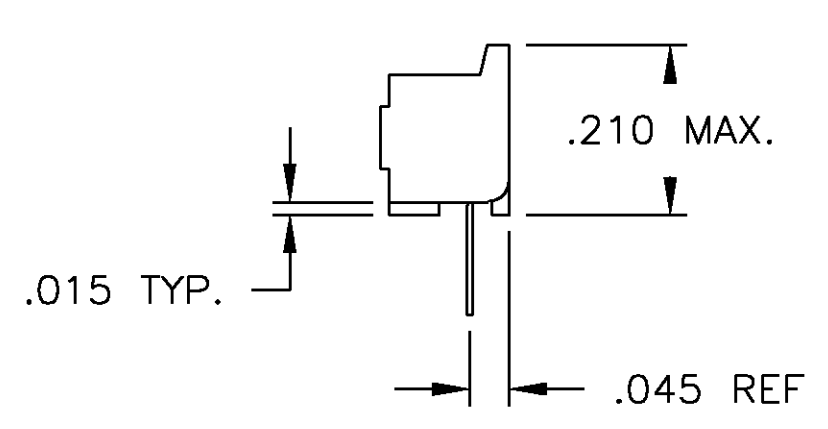
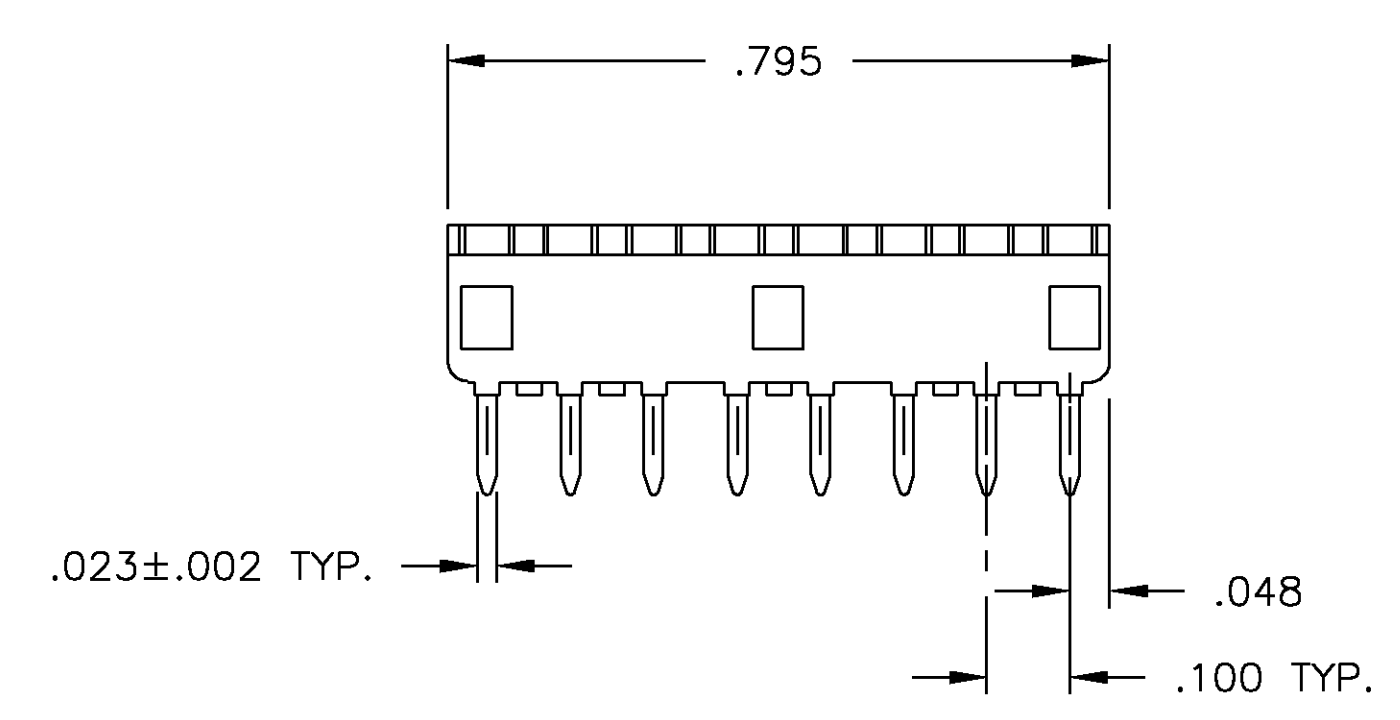


SECTION A-A
 ROTATED 90° CW
 SCALE 10:1
 FOR -6, -7 & -8 ONLY

- RECEPTACLE ACCEPTS AN .008-.014 THK. I.C. LEAD.
- TWO .000030 MIN. THK. GOLD STRIPES IN CONTACT AREA, TIN-LEAD(93-7) ON CONTACT LEGS, BALANCE OF CONTACT NICKEL PLATED.
- TWO .000015 MIN. THK. GOLD STRIPES IN CONTACT AREA, TIN-LEAD(93-7) ON CONTACT LEGS, BALANCE OF CONTACT NICKEL PLATED.



SECTION A-A
 ROTATED 90° CW
 SCALE 10:1
 FOR -1, -2 & -3 ONLY



CONTACT FINISH	CONTACT MAT'L	HOUSING MATERIAL	PART NO.
TINNED	PHOS.BRZ.	GLASS-FILLED THERMOPLASTIC, 94V-0, BLACK	643640-8
OBSOLETE	BE.CU.	GLASS-FILLED THERMOPLASTIC, 94V-0, BLACK	643640-7
TINNED	BE.CU.	GLASS-FILLED THERMOPLASTIC, 94V-0, BLACK	643640-6
SUPSD BY 643640-2	PHOS.BRZ.	GLASS-FILLED THERMOPLASTIC, 94V-0, BLACK	643640-4
OBSOLETE	PHOS.BRZ.	GLASS-FILLED THERMOPLASTIC, 94V-0, BLACK	643640-3
	BE.CU.	GLASS-FILLED THERMOPLASTIC, 94V-0, BLACK	643640-2
TINNED	BE.CU.	GLASS-FILLED THERMOPLASTIC, 94V-0, BLACK	643640-1

THIS DRAWING IS A CONTROLLED DOCUMENT.		DRN M. CYRUS 8-14-84	AMP Tyco Electronics Corporation Harrisburg, PA 17105
		CR N. JONES 7-3-84	
		APVD J. GRAY 7-10-84	SOCKET ASSY, SIP, 8 POS, DIPLOMATE DL
		PRODUCT SPEC 108-1066	
		APPLICATION SPEC 114-1049	SIZE A1 CAGE CODE 00779 DRAWING NO. 643640
		WEIGHT	
MATERIAL SEE TABLE		FINISH SEE TABLE	RESTRICTED TO
		CUSTOMER DRAWING	SCALE 5:1 SHEET 1 OF 1 REV M