



Chipsmall Limited consists of a professional team with an average of over 10 year of expertise in the distribution of electronic components. Based in Hongkong, we have already established firm and mutual-benefit business relationships with customers from,Europe,America and south Asia,supplying obsolete and hard-to-find components to meet their specific needs.

With the principle of "Quality Parts,Customers Priority,Honest Operation,and Considerate Service",our business mainly focus on the distribution of electronic components. Line cards we deal with include Microchip,ALPS,ROHM,Xilinx,Pulse,ON,Everlight and Freescale. Main products comprise IC,Modules,Potentiometer,IC Socket,Relay,Connector.Our parts cover such applications as commercial,industrial, and automotives areas.

We are looking forward to setting up business relationship with you and hope to provide you with the best service and solution. Let us make a better world for our industry!



## Contact us

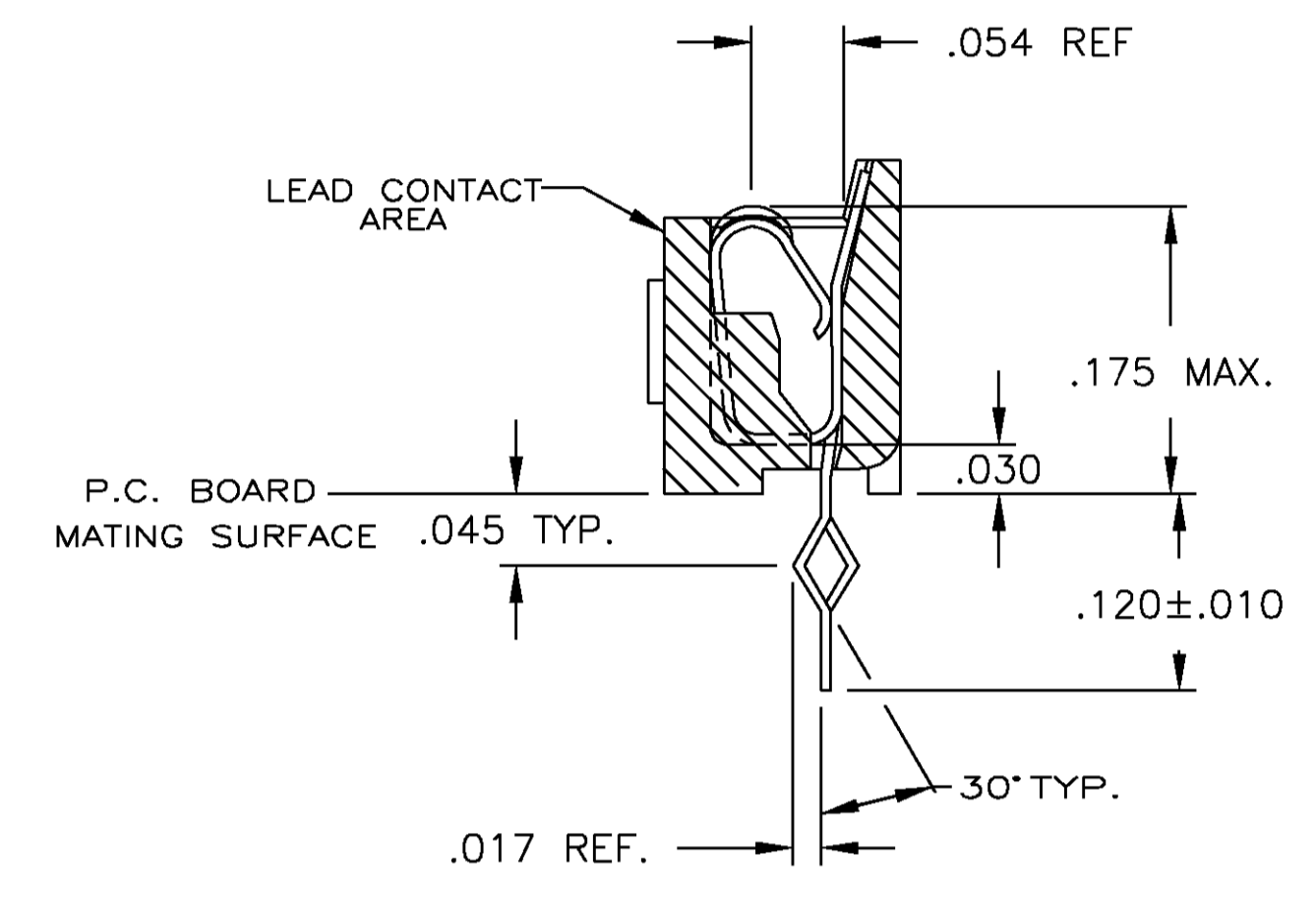
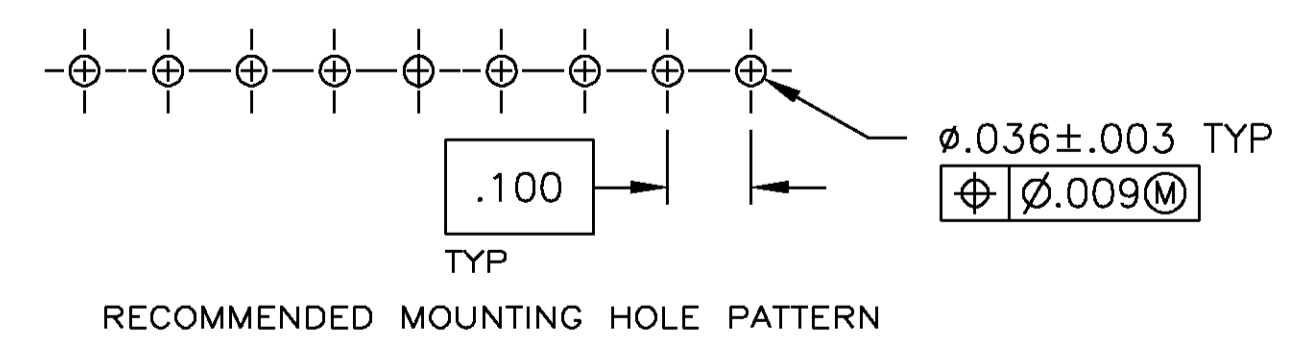
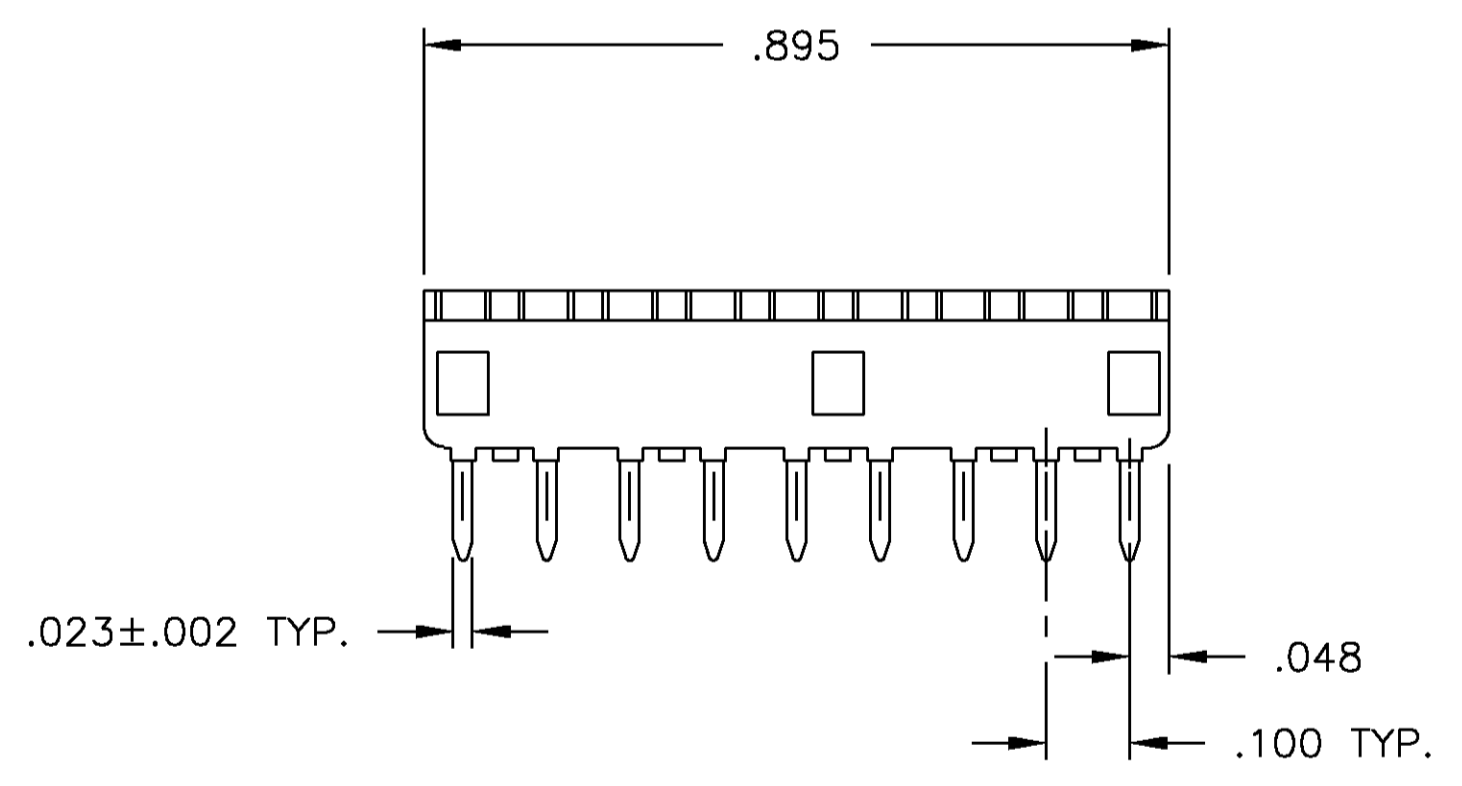
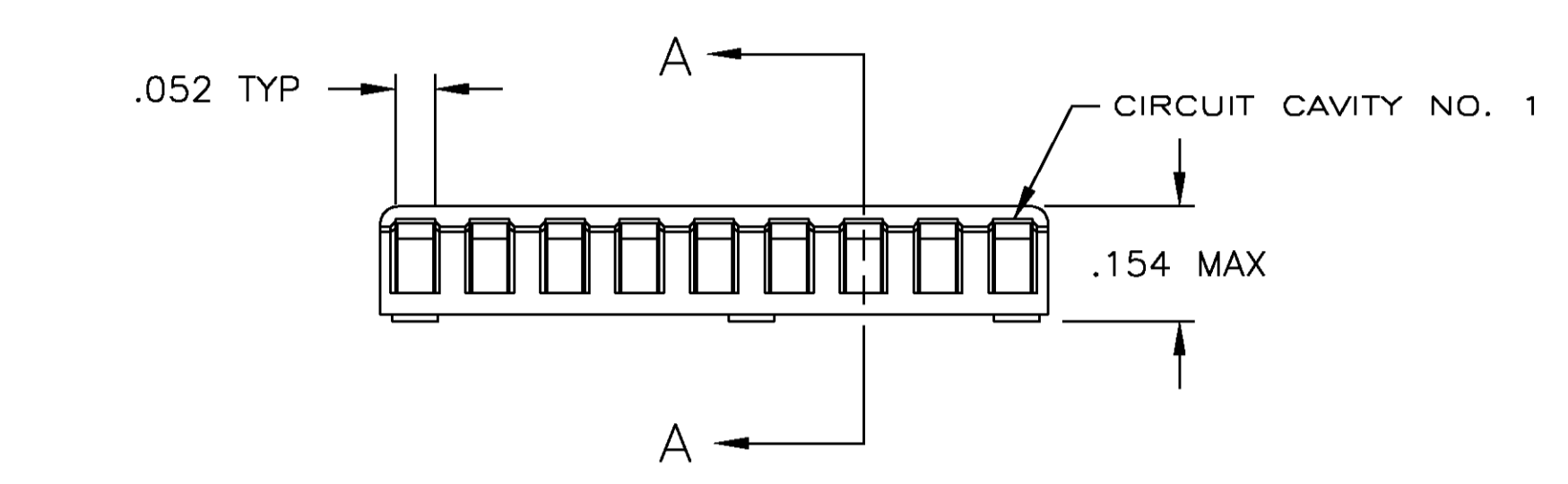
Tel: +86-755-8981 8866 Fax: +86-755-8427 6832

Email & Skype: info@chipsmall.com Web: www.chipsmall.com

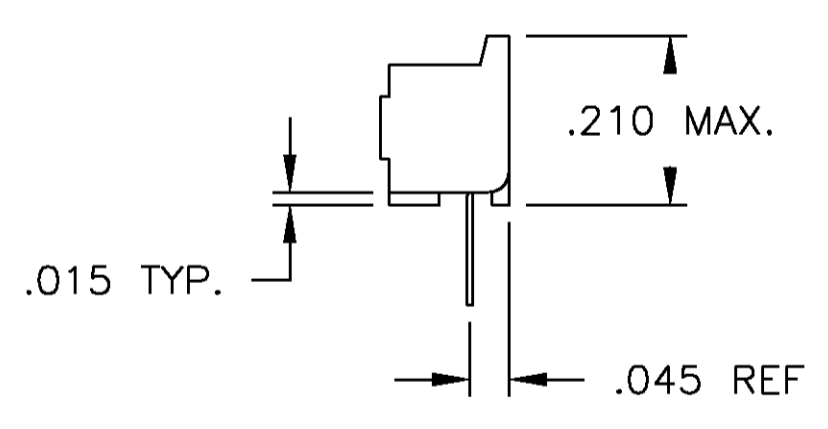
Address: A1208, Overseas Decoration Building, #122 Zhenhua RD., Futian, Shenzhen, China



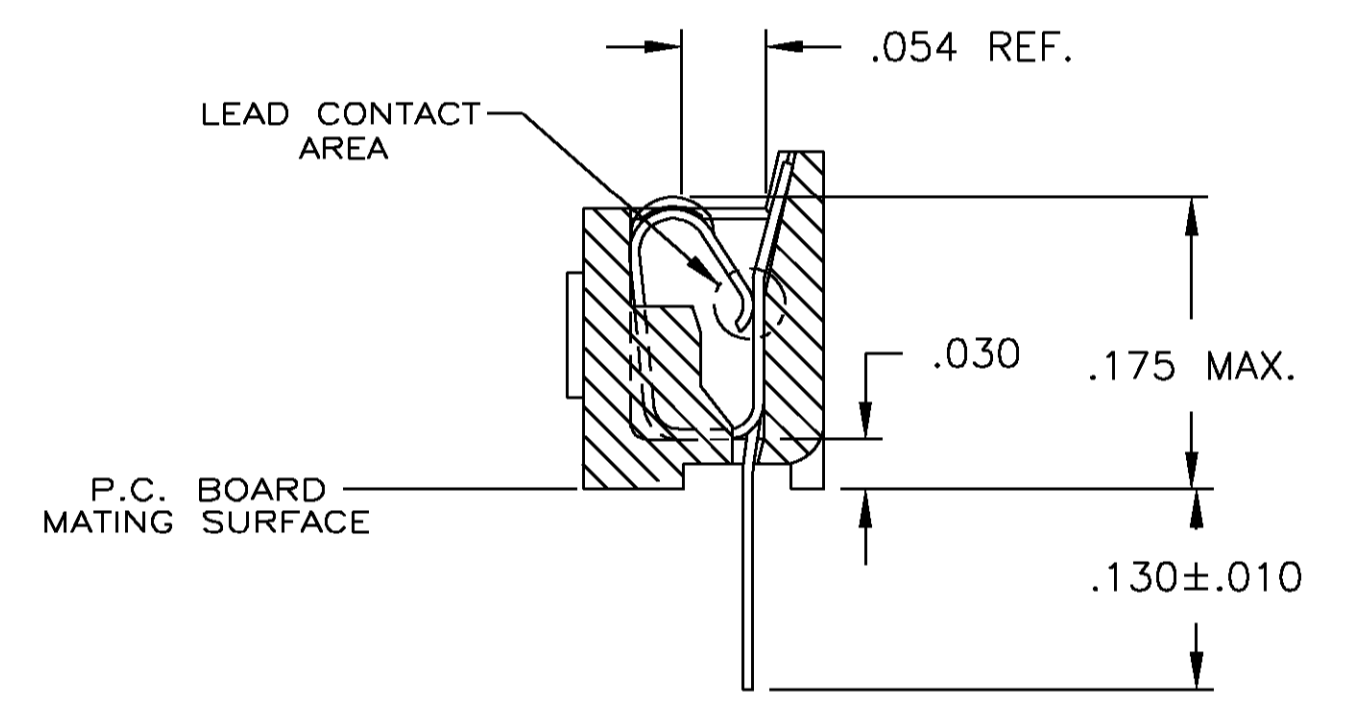
LOC		DIST		REVISIONS			
P	LN	REV	PER	DESCRIPTION	DATE	BY	APPD
M				REV PER 0G3C-0214-99	24AUG00	BH	HW



SECTION A-A  
ROTATED 90° CW  
SCALE 10:1  
FOR -6, -7 & -8 ONLY



- 1. RECEPTACLE ACCEPTS AN .008-.014 THK. I.C. LEAD.
- △ TWO .000030 MIN. THK. GOLD STRIPES IN CONTACT AREA, TIN-LEAD(93-7) ON CONTACT LEGS, BALANCE OF CONTACT NICKEL PLATED.
- △ TWO .000015 MIN. THK. GOLD STRIPES IN CONTACT AREA, TIN-LEAD(93-7) ON CONTACT LEGS, BALANCE OF CONTACT NICKEL PLATED.



SECTION A-A  
ROTATED 90° CW  
SCALE 10:1  
FOR -1, -2 & -3 ONLY

CONTACT FINISH	CONTACT MAT'L	HOUSING MATERIAL	PART NO.	
TINNED	PHOS.BRZ.	GLASS-FILLED THERMOPLASTIC, 94V-0, BLACK	643641-8	
OBSOLETE	BE.CU.	GLASS-FILLED THERMOPLASTIC, 94V-0, BLACK	643641-7	
TINNED	BE.CU.	GLASS-FILLED THERMOPLASTIC, 94V-0, BLACK	643641-6	
SUPSD BY 643641-2	PHOS.BRZ.	GLASS-FILLED THERMOPLASTIC, 94V-0, BLACK	643641-4	
OBSOLETE	TINNED	PHOS.BRZ.	GLASS-FILLED THERMOPLASTIC, 94V-0, BLACK	643641-3
OBSOLETE	BE.CU.	GLASS-FILLED THERMOPLASTIC, 94V-0, BLACK	643641-2	
OBSOLETE	TINNED	BE.CU.	GLASS-FILLED THERMOPLASTIC, 94V-0, BLACK	643641-1

THIS DRAWING IS A CONTROLLED DOCUMENT.		DRN M. CYRUS 8-14-84	Tyco Electronics Corporation Harrisburg, PA 17105
		OR N. JONES 7-3-84	
		APVD J. GRAY 7-10-84	SOCKET ASSY, SIP, 9 POS. DIPLOMATE DL
		PRODUCT SPEC 108-1066	
		APPLICATION SPEC 114-1049	RESTRICTED TO
		WEIGHT	
MATERIAL SEE TABLE		FINISH SEE TABLE	SCALE 5:1
		CUSTOMER DRAWING	SHEET 1 OF 1 REV M