



Chipsmall Limited consists of a professional team with an average of over 10 year of expertise in the distribution of electronic components. Based in Hongkong, we have already established firm and mutual-benefit business relationships with customers from,Europe,America and south Asia,supplying obsolete and hard-to-find components to meet their specific needs.

With the principle of "Quality Parts,Customers Priority,Honest Operation,and Considerate Service",our business mainly focus on the distribution of electronic components. Line cards we deal with include Microchip,ALPS,ROHM,Xilinx,Pulse,ON,Everlight and Freescale. Main products comprise IC,Modules,Potentiometer,IC Socket,Relay,Connector.Our parts cover such applications as commercial,industrial, and automotives areas.

We are looking forward to setting up business relationship with you and hope to provide you with the best service and solution. Let us make a better world for our industry!



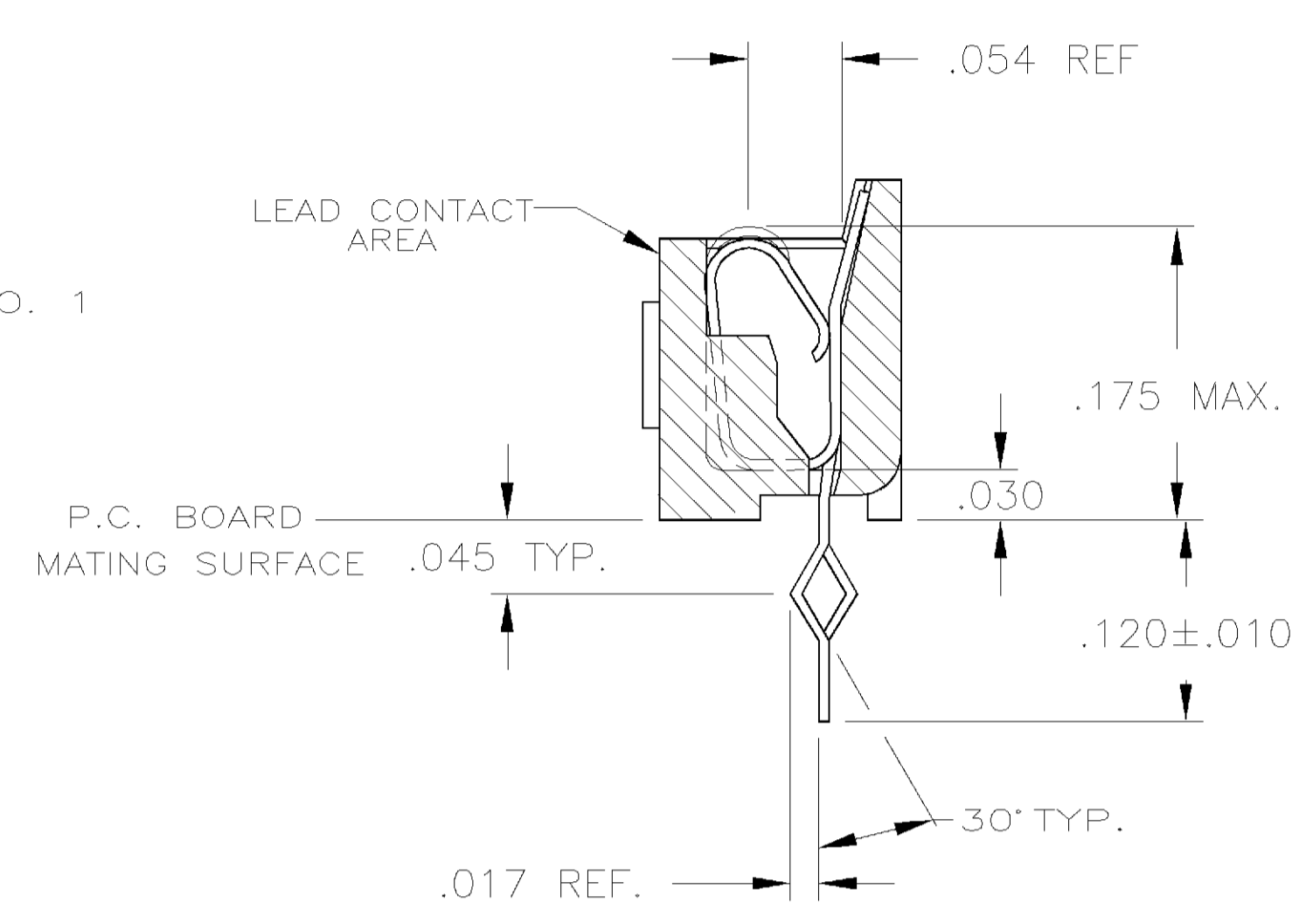
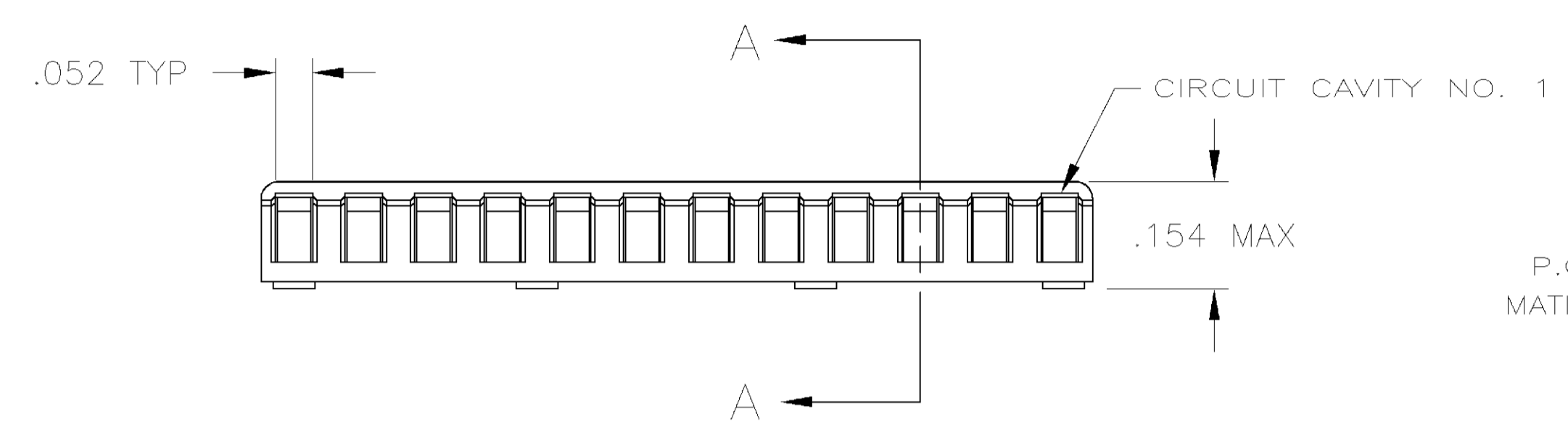
## Contact us

Tel: +86-755-8981 8866 Fax: +86-755-8427 6832

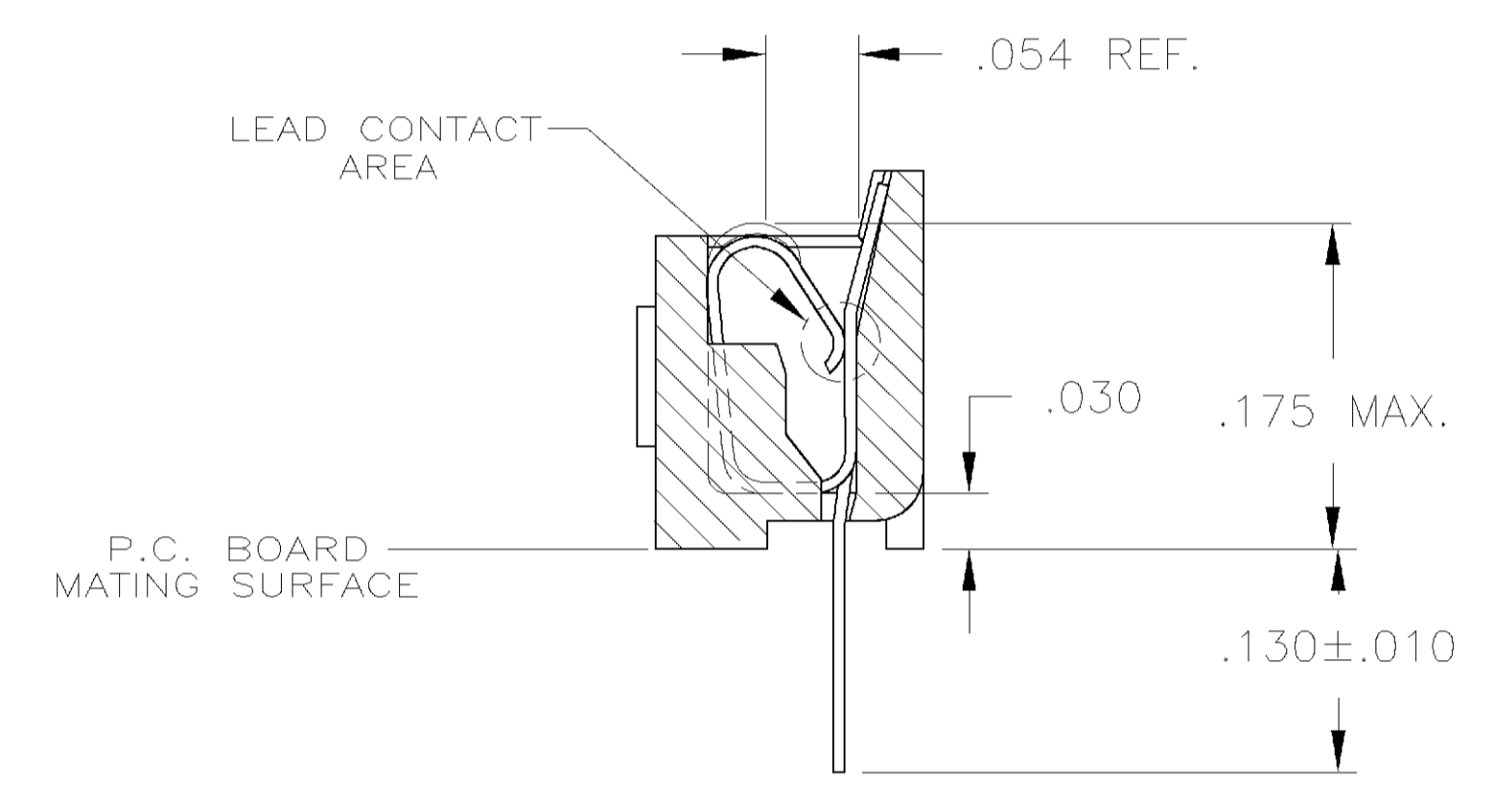
Email & Skype: info@chipsmall.com Web: www.chipsmall.com

Address: A1208, Overseas Decoration Building, #122 Zhenhua RD., Futian, Shenzhen, China

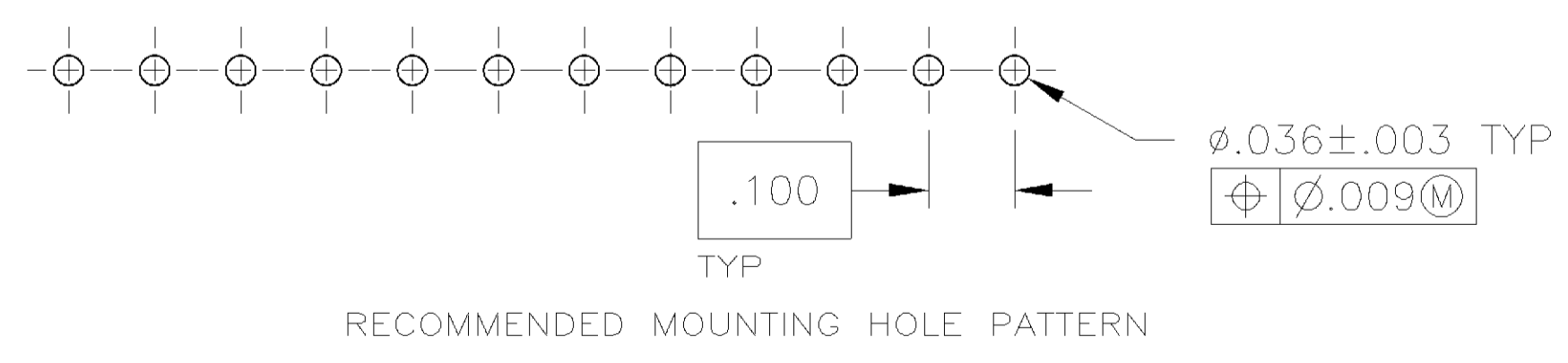
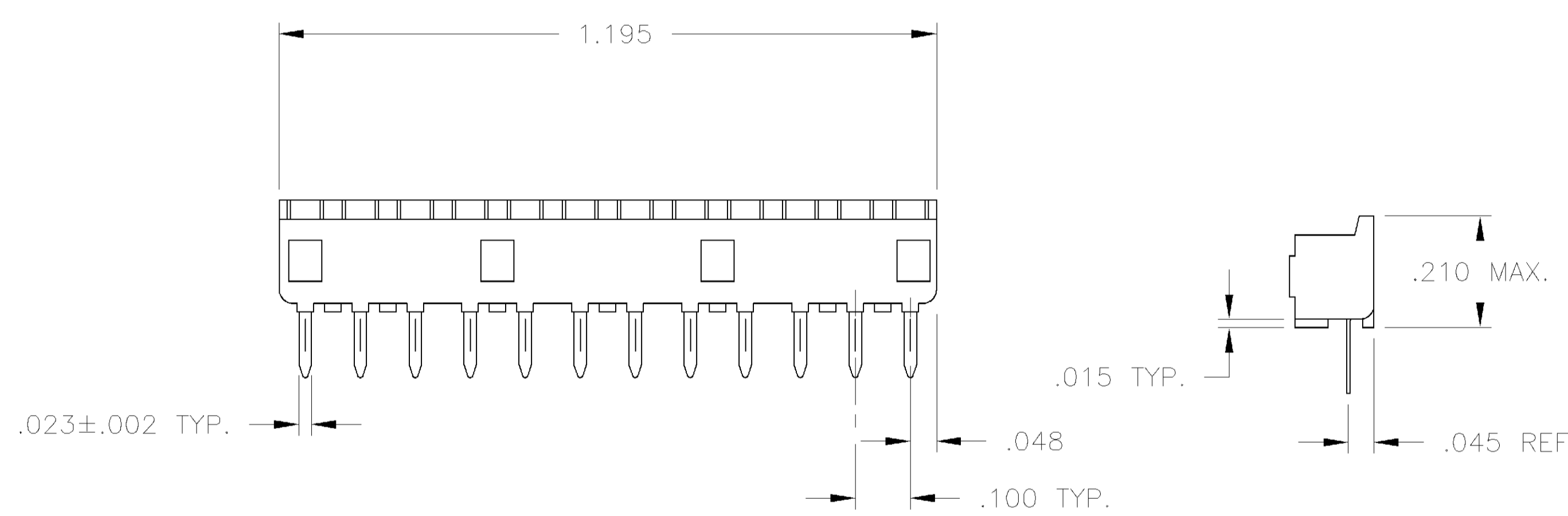




SECTION A-A  
 ROTATED 90° CW  
 SCALE 10:1  
 FOR -6, -7 & -8 ONLY



SECTION A-A  
 ROTATED 90° CW  
 SCALE 10:1  
 FOR -1, -2 & -3 ONLY



1. RECEPTACLE ACCEPTS AN .008-.014 THK. I.C. LEAD.
- ② TWO .000030 MIN. THK. GOLD STRIPES IN CONTACT AREA, TIN-LEAD(93-7) ON CONTACT LEGS, BALANCE OF CONTACT NICKEL PLATED.
- ③ TWO .000015 MIN. THK. GOLD STRIPES IN CONTACT AREA, TIN-LEAD(93-7) ON CONTACT LEGS, BALANCE OF CONTACT NICKEL PLATED.
- ④ TUBE LOADED.

OBSOLETE ④	TINNED	PHOS.BRZ.	GLASS-FILLED THERMOPLASTIC, 94V-0, BLACK	2-643644-3
	TINNED	PHOS.BRZ.	GLASS-FILLED THERMOPLASTIC, 94V-0, BLACK	643644-8
OBSOLETE	②	BE.CU.	GLASS-FILLED THERMOPLASTIC, 94V-0, BLACK	643644-7
	TINNED	BE.CU.	GLASS-FILLED THERMOPLASTIC, 94V-0, BLACK	643644-6
SUPSD BY 643644-2	③	PHOS.BRZ.	GLASS-FILLED THERMOPLASTIC, 94V-0, BLACK	643644-4
	TINNED	PHOS.BRZ.	GLASS-FILLED THERMOPLASTIC, 94V-0, BLACK	643644-3
OBSOLETE	③	BE.CU.	GLASS-FILLED THERMOPLASTIC, 94V-0, BLACK	643644-2
	TINNED	BE.CU.	GLASS-FILLED THERMOPLASTIC, 94V-0, BLACK	643644-1
	CONTACT FINISH	CONTACT MAT'L	HOUSING MATERIAL	PART NO.

THIS DRAWING IS A CONTROLLED DOCUMENT.

DIMENSIONS: INCHES	TOLERANCES UNLESS OTHERWISE SPECIFIED:	DWN: M. CYRUS 7-3-84	CHK: N. JONES 7-3-84	APVD: J. GRAY 7-10-84	NAME: J. GRAY	PRODUCT SPEC: 108-1066	APPLICATION SPEC: 114-1049	SIZE: A1	CAGE CODE: 00779	DRAWING NO: 643644	RESTRICTED TO: -
MATERIAL: SEE TABLE	FINISH: SEE TABLE	WEIGHT: -	CUSTOMER DRAWING		SCALE: 5:1	SHEET: 1 OF 1	REV: L				

AMP Tyco Electronics Corporation  
 Harrisburg, PA 17105

SOCKET ASSY, SIP, 12 POS, DIPLOMATE DL