



Chipsmall Limited consists of a professional team with an average of over 10 year of expertise in the distribution of electronic components. Based in Hongkong, we have already established firm and mutual-benefit business relationships with customers from,Europe,America and south Asia,supplying obsolete and hard-to-find components to meet their specific needs.

With the principle of “Quality Parts,Customers Priority,Honest Operation,and Considerate Service”,our business mainly focus on the distribution of electronic components. Line cards we deal with include Microchip,ALPS,ROHM,Xilinx,Pulse,ON,Everlight and Freescale. Main products comprise IC,Modules,Potentiometer,IC Socket,Relay,Connector.Our parts cover such applications as commercial,industrial, and automotives areas.

We are looking forward to setting up business relationship with you and hope to provide you with the best service and solution. Let us make a better world for our industry!



Contact us

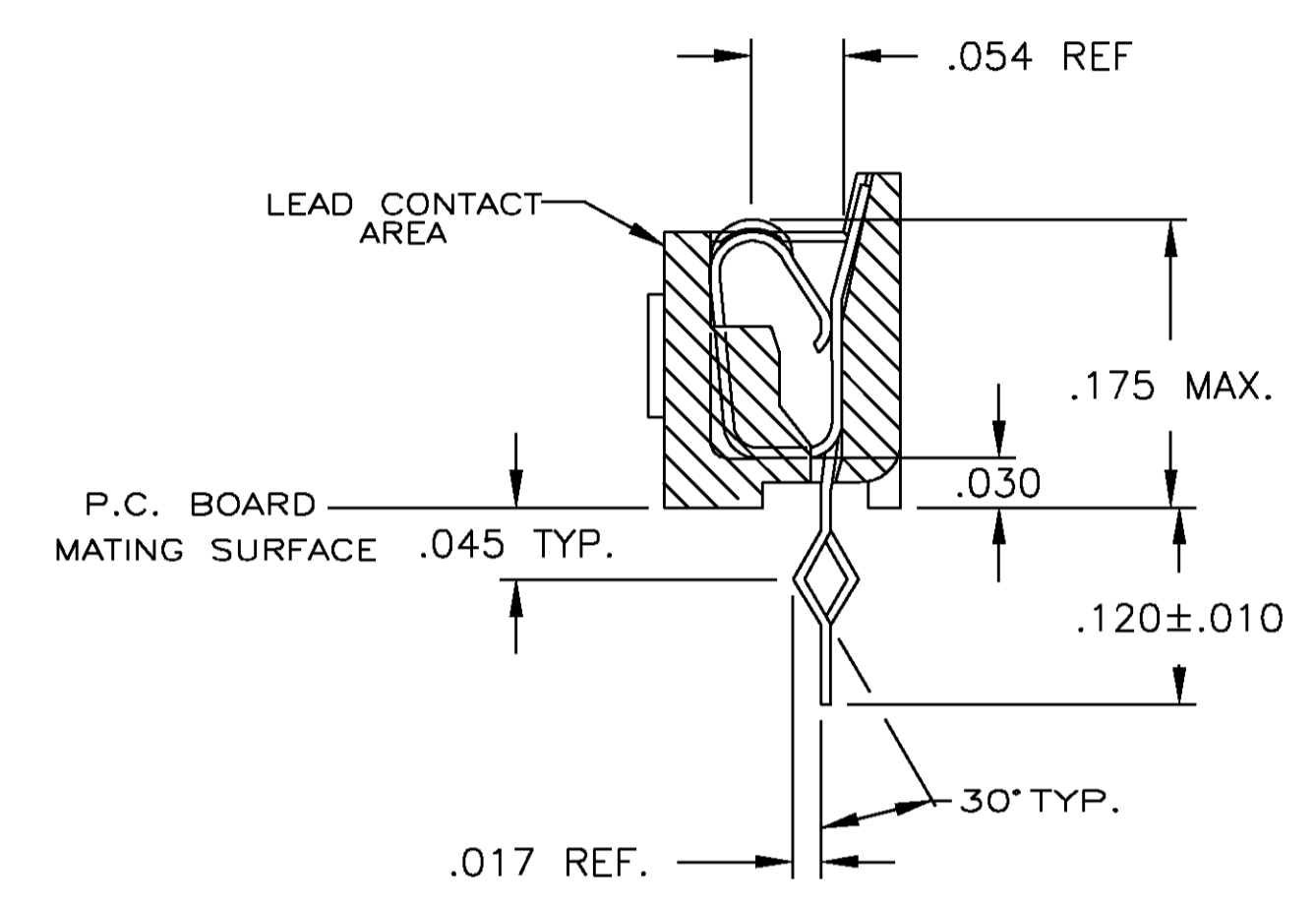
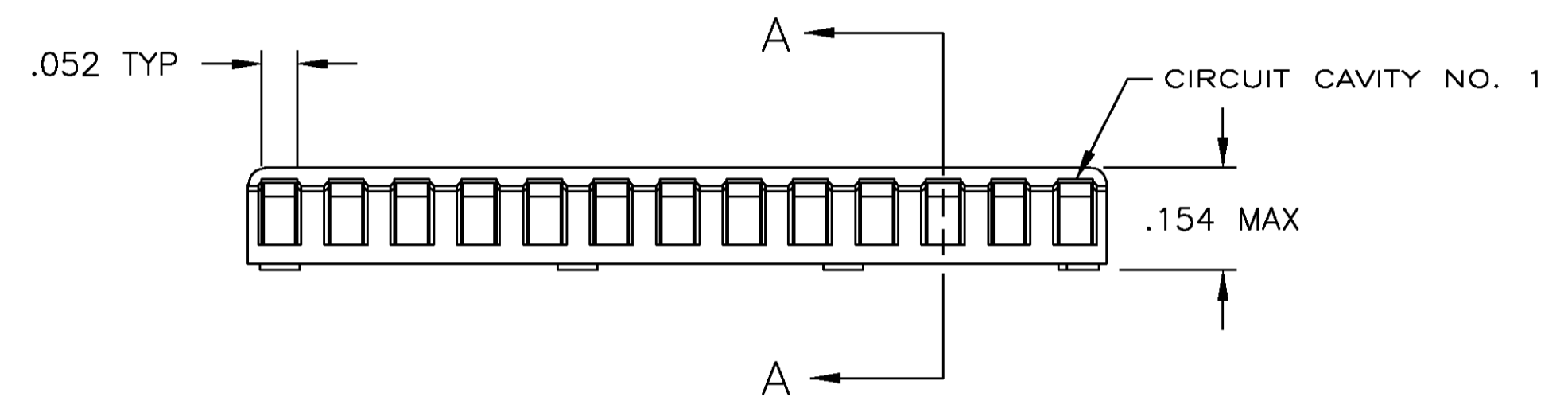
Tel: +86-755-8981 8866 Fax: +86-755-8427 6832

Email & Skype: info@chipsmall.com Web: www.chipsmall.com

Address: A1208, Overseas Decoration Building, #122 Zhenhua RD., Futian, Shenzhen, China

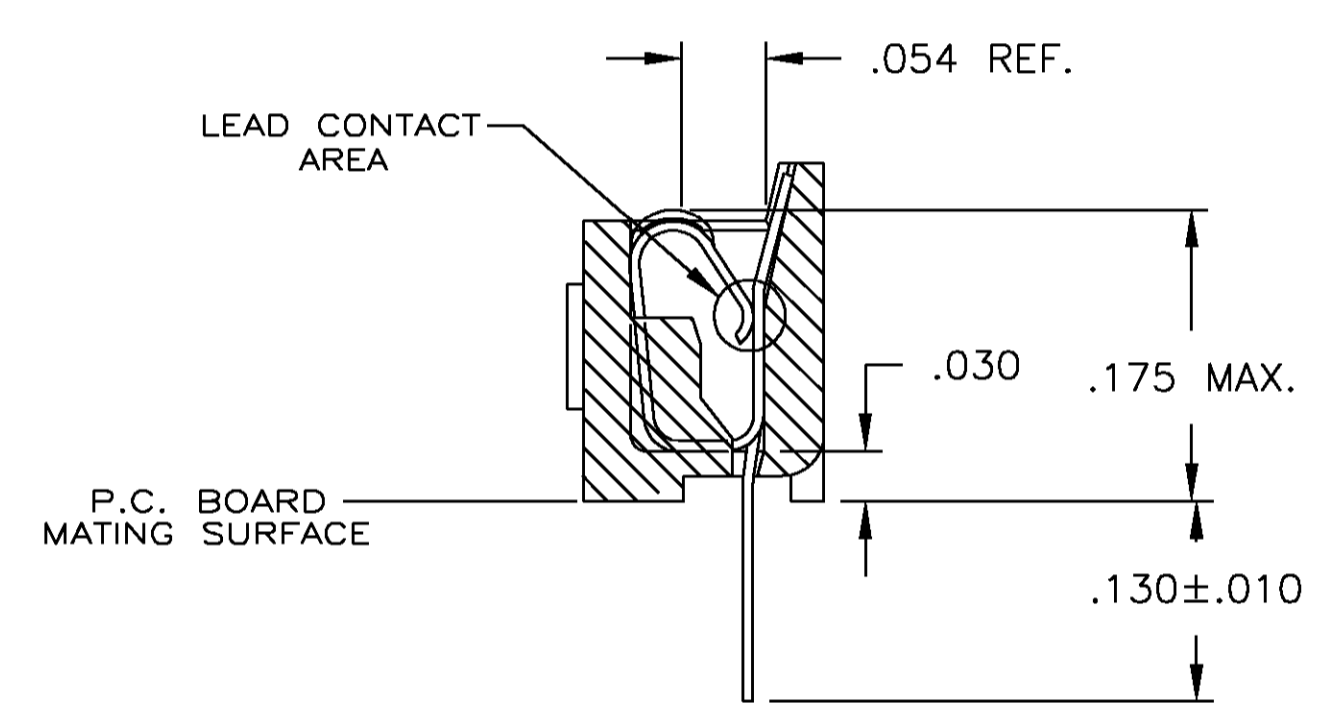


LOC	DIST	REVISIONS			
P	LTR	DESCRIPTION	DATE	DRW	APPD
FT	64	K	REV PER 0G3C-0214-99	24AUG00	BH HW

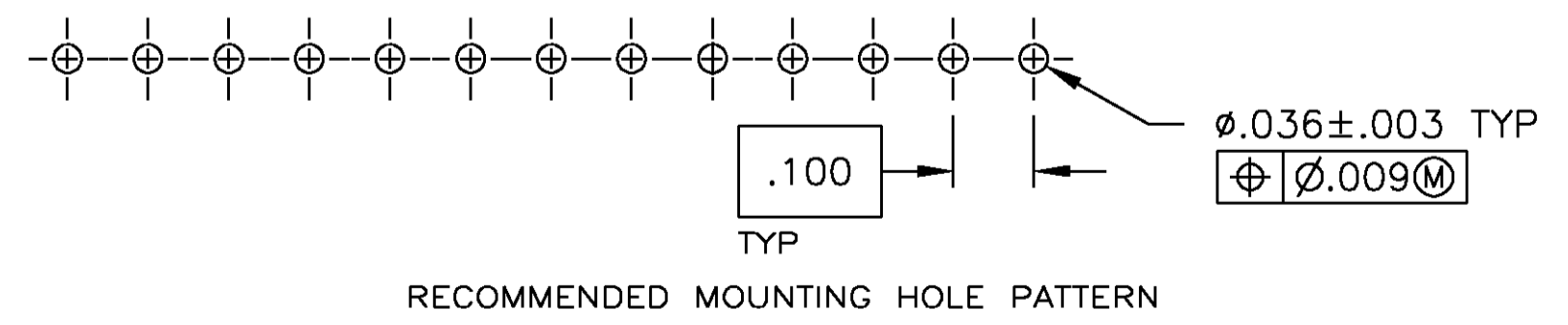
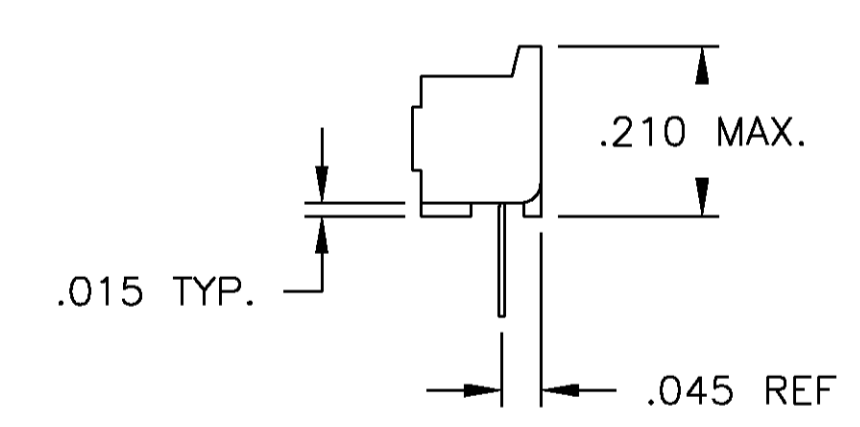
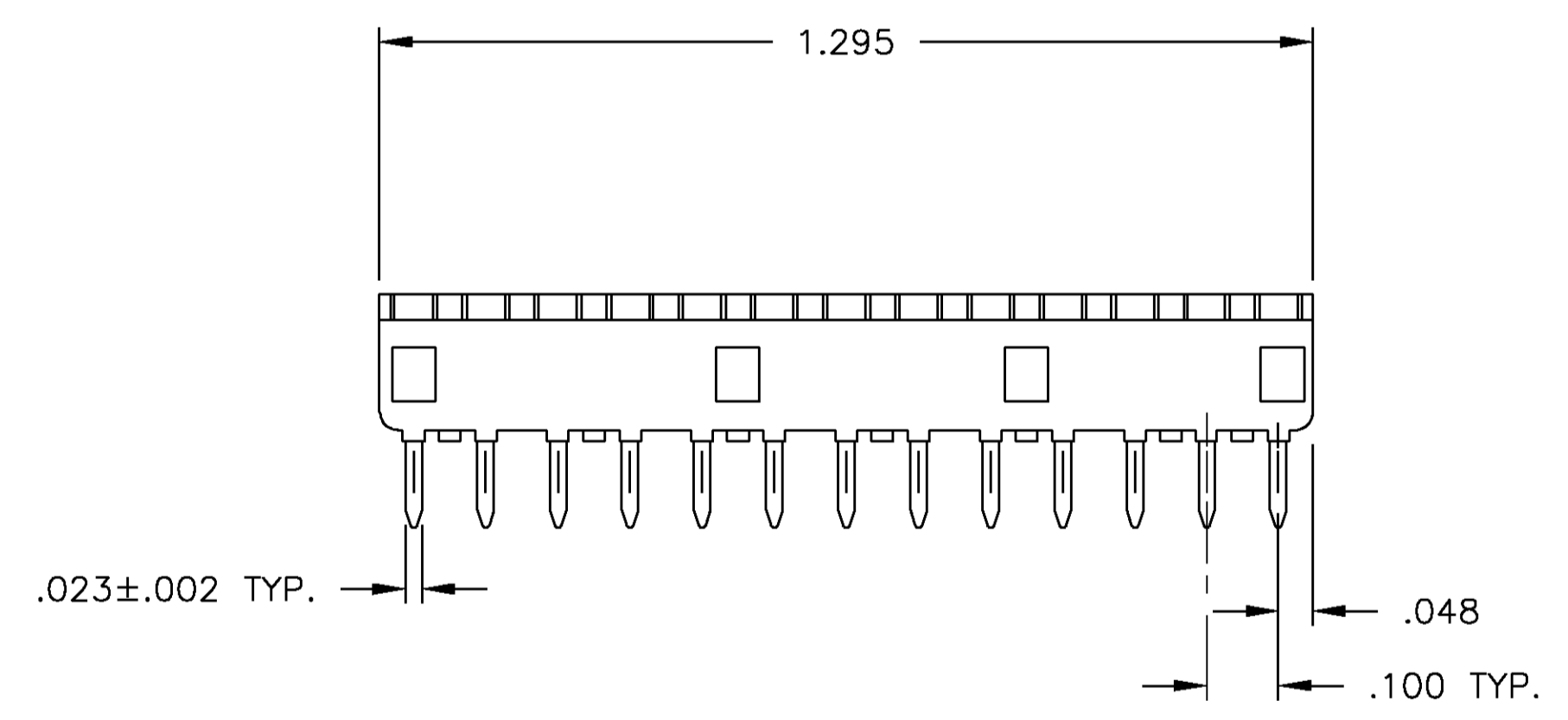


SECTION A-A
 ROTATED 90° CW
 SCALE 10:1
 FOR -6, -7 & -8 ONLY

- RECEPTACLE ACCEPTS AN .008-.014 THK. I.C. LEAD.
- TWO .000030 MIN. THK. GOLD STRIPES IN CONTACT AREA, TIN-LEAD(93-7) ON CONTACT LEGS, BALANCE OF CONTACT NICKEL PLATED.
- TWO .000015 MIN. THK. GOLD STRIPES IN CONTACT AREA, TIN-LEAD(93-7) ON CONTACT LEGS, BALANCE OF CONTACT NICKEL PLATED.



SECTION A-A
 ROTATED 90° CW
 SCALE 10:1
 FOR -1, -2 & -3 ONLY



CONTACT FINISH	CONTACT MAT'L	HOUSING MATERIAL	PART NO.	
OBSOLETE	TINNED	PHOS.BRZ.	GLASS-FILLED THERMOPLASTIC, 94V-0, BLACK	643645-8
OBSOLETE	TINNED	BE.CU.	GLASS-FILLED THERMOPLASTIC, 94V-0, BLACK	643645-7
SUPSD BY 643645-2	TINNED	PHOS.BRZ.	GLASS-FILLED THERMOPLASTIC, 94V-0, BLACK	643645-6
	TINNED	PHOS.BRZ.	GLASS-FILLED THERMOPLASTIC, 94V-0, BLACK	643645-4
	TINNED	BE.CU.	GLASS-FILLED THERMOPLASTIC, 94V-0, BLACK	643645-3
	TINNED	BE.CU.	GLASS-FILLED THERMOPLASTIC, 94V-0, BLACK	643645-2
OBSOLETE	TINNED	BE.CU.	GLASS-FILLED THERMOPLASTIC, 94V-0, BLACK	643645-1

DIMENSIONS:		TOLERANCES UNLESS OTHERWISE SPECIFIED:		THIS DRAWING IS A CONTROLLED DOCUMENT.	
INCHES				DRW	M. CYRUS 8-1-84
				OR	N. JONES 7-3-84
				APPD	J. GRAY 7-10-84
				NAME	N. JONES
				PRODUCT SPEC	108-1066
				APPLICATION SPEC	114-1049
				WEIGHT	
				RESTRICTED TO	
				CUSTOMER DRAWING	