



Chipsmall Limited consists of a professional team with an average of over 10 year of expertise in the distribution of electronic components. Based in Hongkong, we have already established firm and mutual-benefit business relationships with customers from,Europe,America and south Asia,supplying obsolete and hard-to-find components to meet their specific needs.

With the principle of “Quality Parts,Customers Priority,Honest Operation,and Considerate Service”,our business mainly focus on the distribution of electronic components. Line cards we deal with include Microchip,ALPS,ROHM,Xilinx,Pulse,ON,Everlight and Freescale. Main products comprise IC,Modules,Potentiometer,IC Socket,Relay,Connector.Our parts cover such applications as commercial,industrial, and automotives areas.

We are looking forward to setting up business relationship with you and hope to provide you with the best service and solution. Let us make a better world for our industry!



Contact us

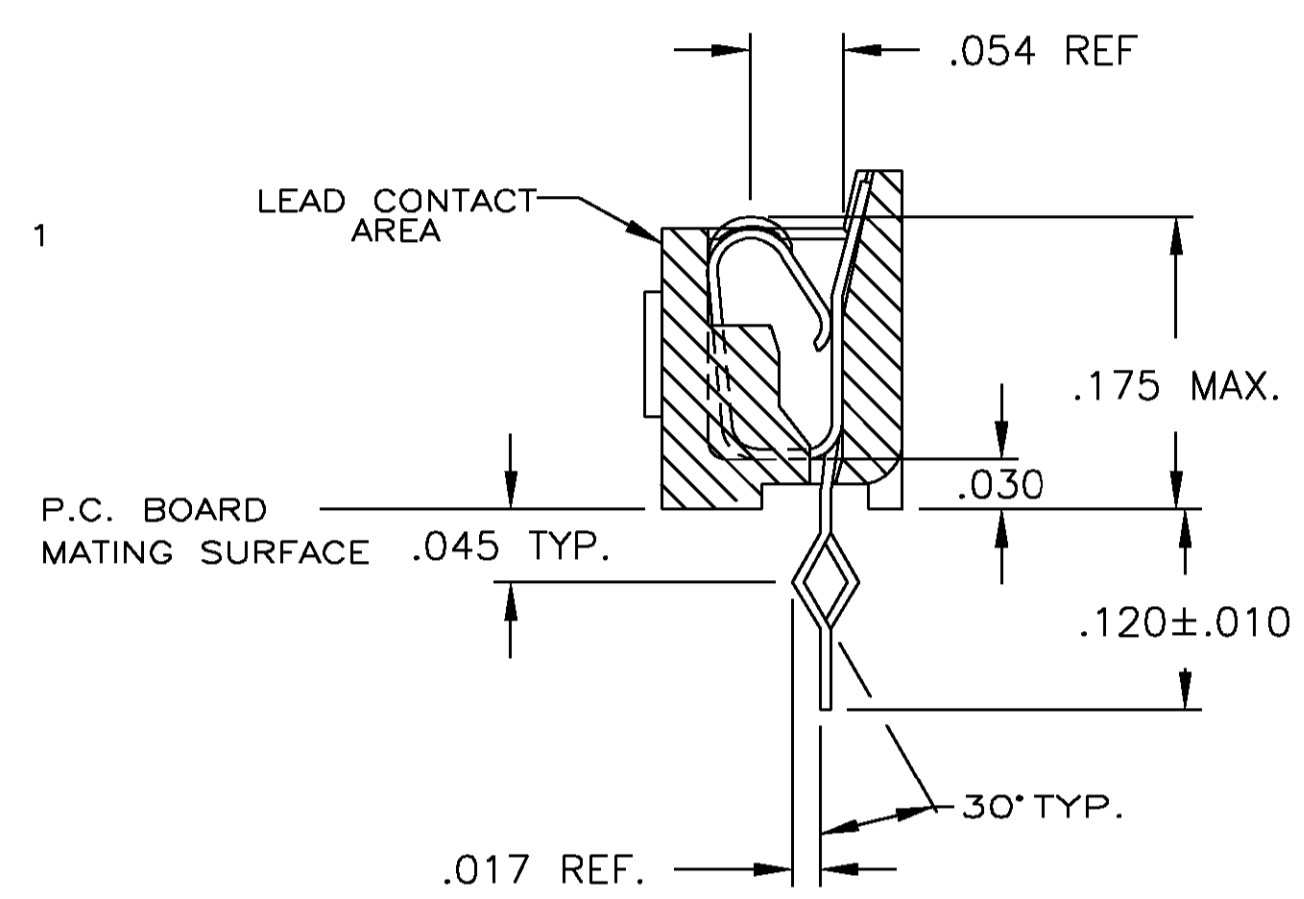
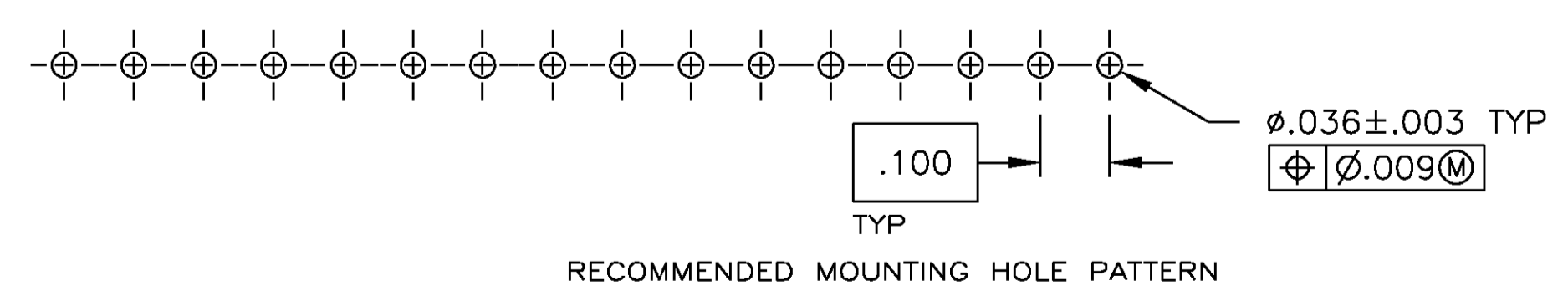
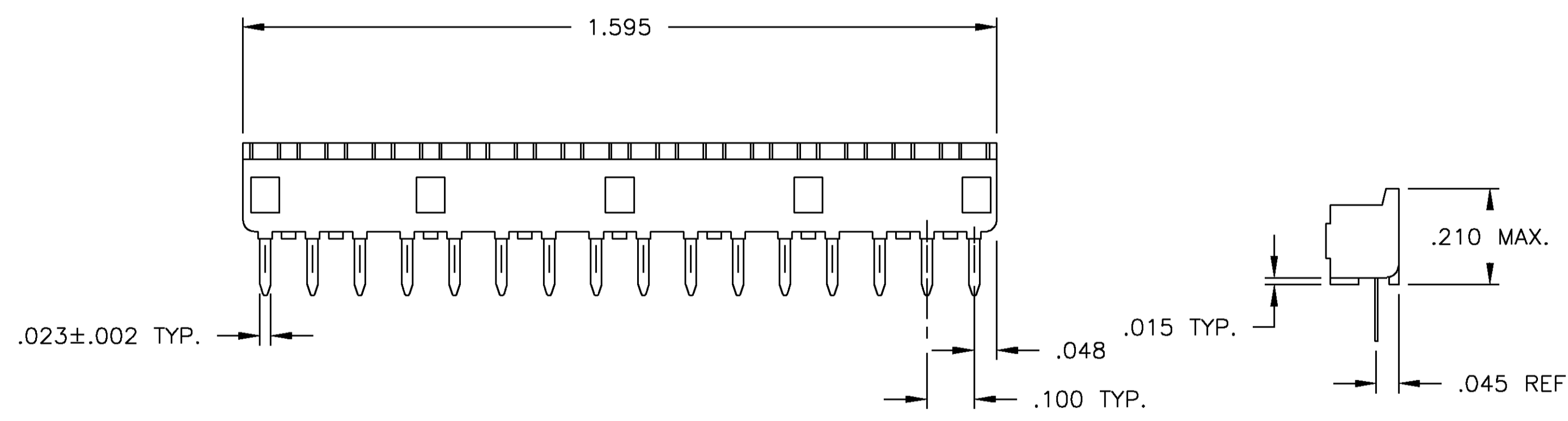
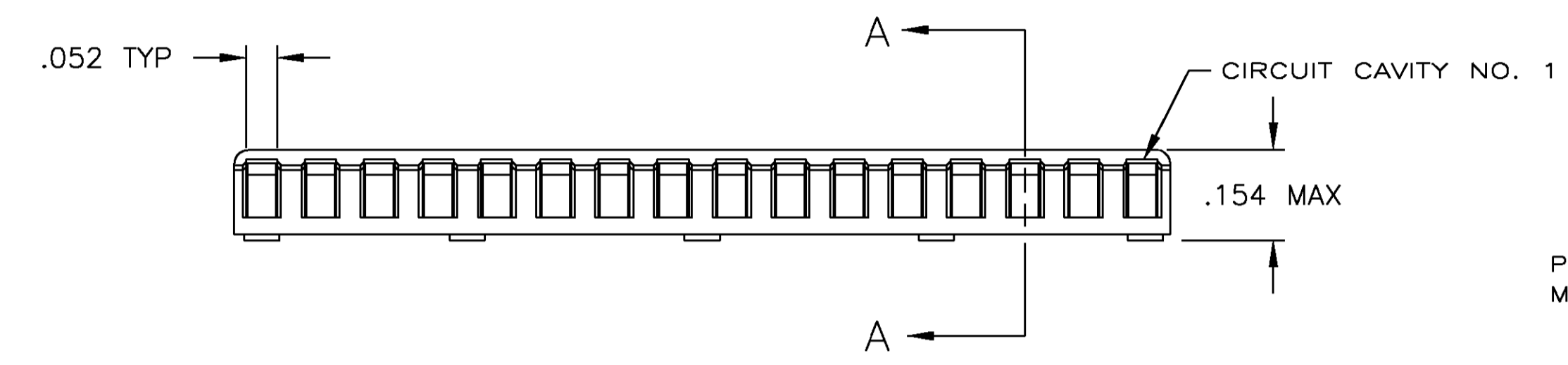
Tel: +86-755-8981 8866 Fax: +86-755-8427 6832

Email & Skype: info@chipsmall.com Web: www.chipsmall.com

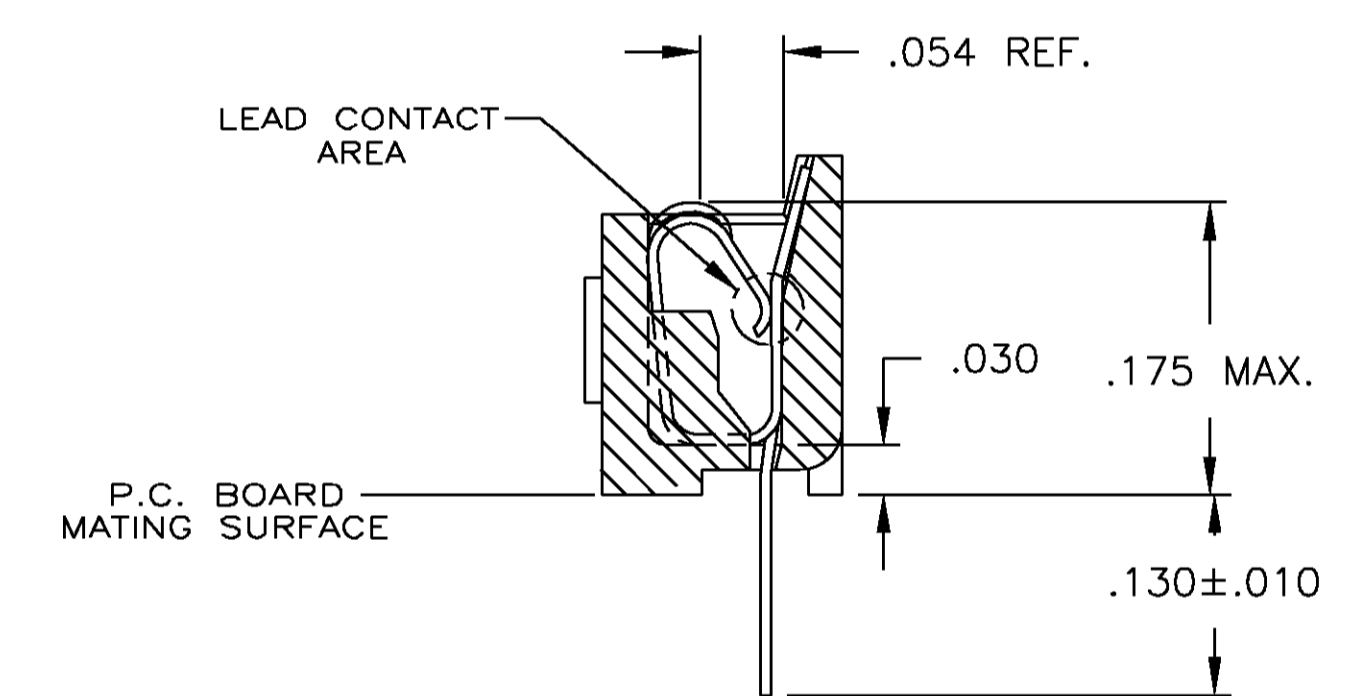
Address: A1208, Overseas Decoration Building, #122 Zhenhua RD., Futian, Shenzhen, China



LOC		DIST		REVISIONS			
P	LTR	DESCRIPTION	DATE	DRW	APPD		
M		REV PER 063C-0214-99	24AUG00	BH	HW		



SECTION A-A
ROTATED 90° CW
SCALE 10:1
FOR -6, -7 & -8 ONLY



SECTION A-A
ROTATED 90° CW
SCALE 10:1
FOR -1, -2 & -3 ONLY

- RECEPTACLE ACCEPTS AN .008-.014 THK LEAD.
- TWO .000030 MIN. THK. GOLD STRIPES IN CONTACT AREA, TIN-LEAD(93-7) ON CONTACT LEGS, BALANCE OF CONTACT NICKEL PLATED.
- TWO .000015 MIN. THK. GOLD STRIPES IN CONTACT AREA, TIN-LEAD(93-7) ON CONTACT LEGS, BALANCE OF CONTACT NICKEL PLATED.

CONTACT FINISH	CONTACT MAT'L	HOUSING MATERIAL	PART NO.
TINNED	PHOS.BRZ.	GLASS-FILLED THERMOPLASTIC, 94V-O, BLACK	643648-8
OBSOLETE	BE.CU.	GLASS-FILLED THERMOPLASTIC, 94V-O, BLACK	643648-7
OBSOLETE	TINNED	BE.CU.	GLASS-FILLED THERMOPLASTIC, 94V-O, BLACK
SUPSD BY 643648-2	PHOS.BRZ.	GLASS-FILLED THERMOPLASTIC, 94V-O, BLACK	643648-4
TINNED	PHOS.BRZ.	GLASS-FILLED THERMOPLASTIC, 94V-O, BLACK	643648-3
OBSOLETE	BE.CU.	GLASS-FILLED THERMOPLASTIC, 94V-O, BLACK	643648-2
TINNED	BE.CU.	GLASS-FILLED THERMOPLASTIC, 94V-O, BLACK	643648-1

THIS DRAWING IS A CONTROLLED DOCUMENT.		DRW M. CYRUS 8-1-84	AMP Tyco Electronics Corporation Harrisburg, PA 17105	
DIMENSIONS: 0 P.L.C. ± - 1 P.L.C. ± - 2 P.L.C. ± - 3 P.L.C. ± .005 4 P.L.C. ± ± - ANGLES ± ± -		CHK BLONES 7-3-84	APPROV J. GRAY 7-10-84	NAME SOCKET ASSY, SIP, 16 POS, DIPLOMATE DL
MATERIALS TABLE SEE TABLE		FINISH SEE TABLE	WEIGHT 114-1049	SIZE A1
CUSTOMER DRAWING		CAGE CODE 00779	DRAWING NO 643648	RESTRICTED TO M
SCALE 5:1		SHEET 1 OF 1		REV M