



Chipsmall Limited consists of a professional team with an average of over 10 year of expertise in the distribution of electronic components. Based in Hongkong, we have already established firm and mutual-benefit business relationships with customers from,Europe,America and south Asia,supplying obsolete and hard-to-find components to meet their specific needs.

With the principle of “Quality Parts,Customers Priority,Honest Operation,and Considerate Service”,our business mainly focus on the distribution of electronic components. Line cards we deal with include Microchip,ALPS,ROHM,Xilinx,Pulse,ON,Everlight and Freescale. Main products comprise IC,Modules,Potentiometer,IC Socket,Relay,Connector.Our parts cover such applications as commercial,industrial, and automotives areas.

We are looking forward to setting up business relationship with you and hope to provide you with the best service and solution. Let us make a better world for our industry!



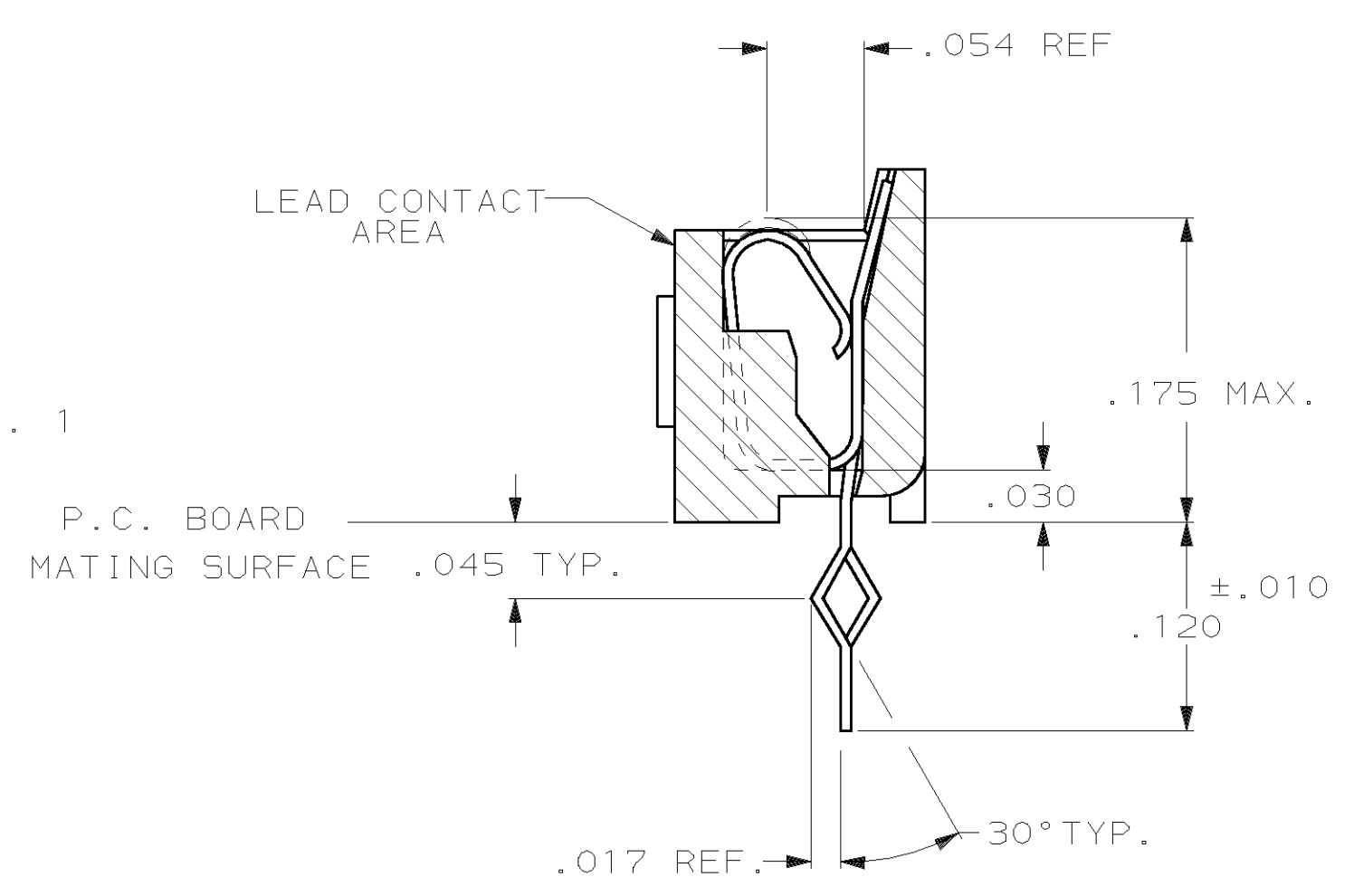
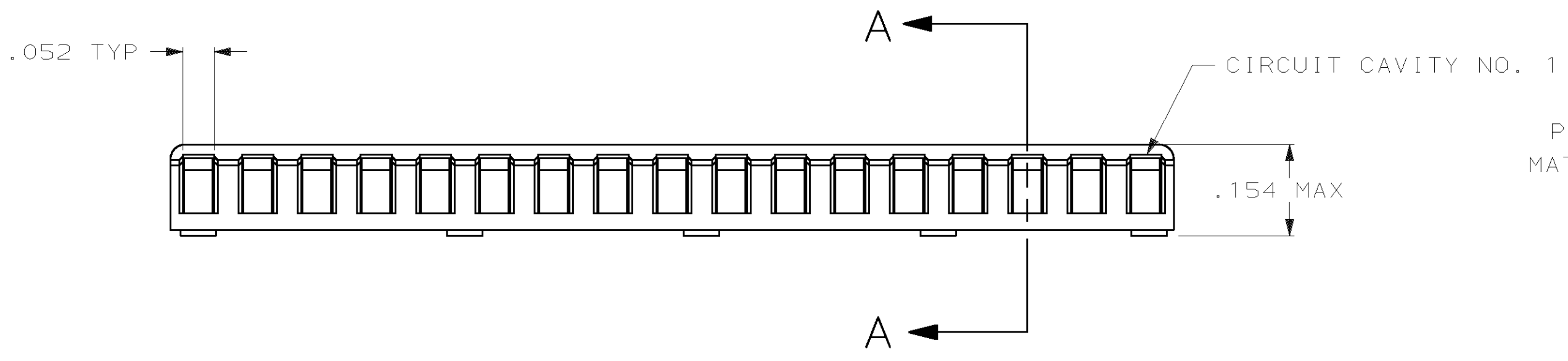
## Contact us

Tel: +86-755-8981 8866 Fax: +86-755-8427 6832

Email & Skype: info@chipsmall.com Web: www.chipsmall.com

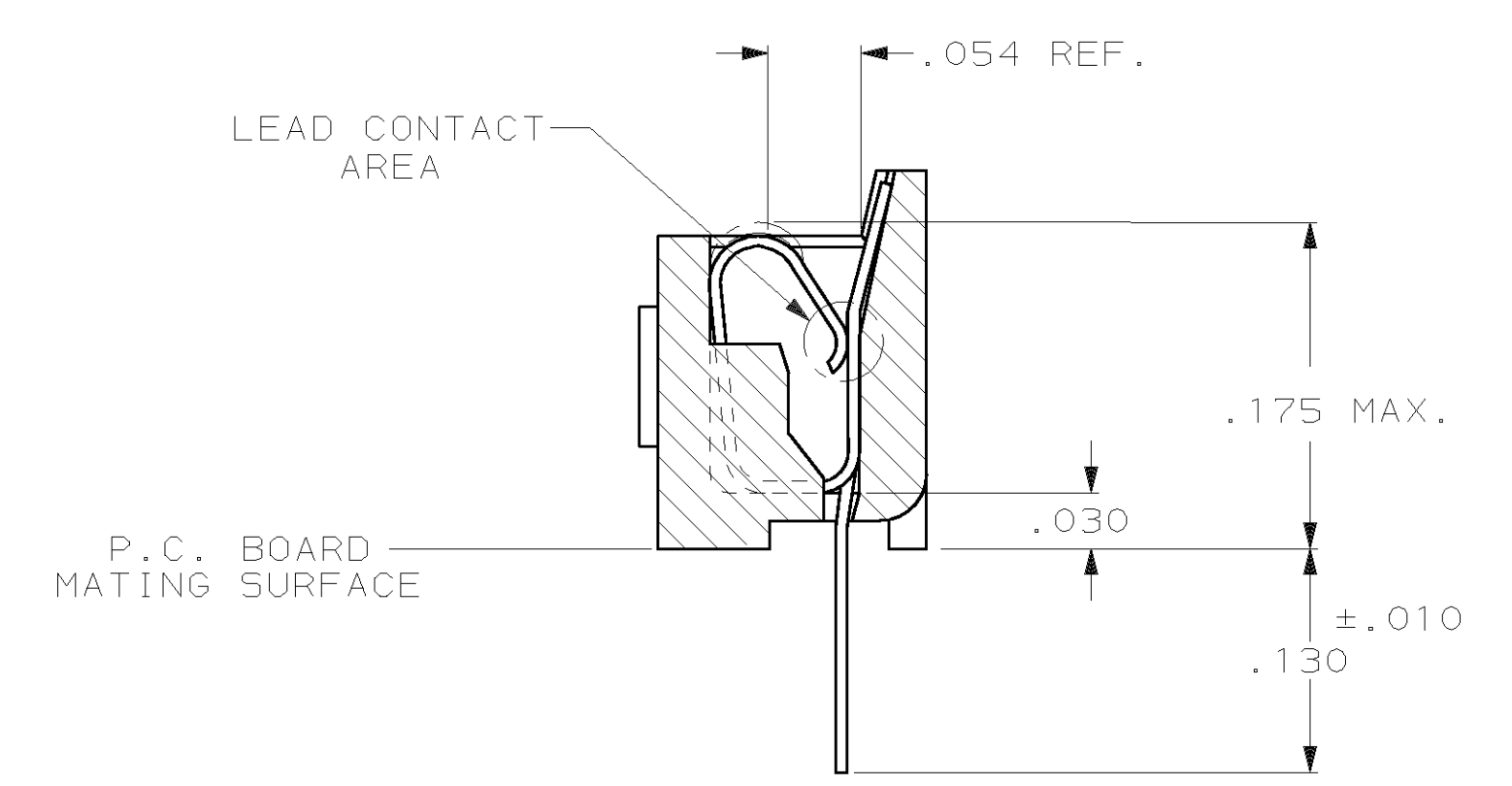
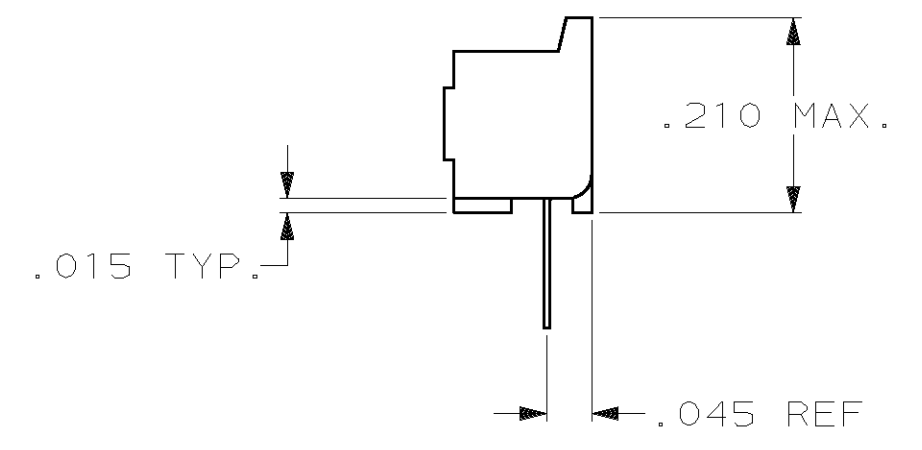
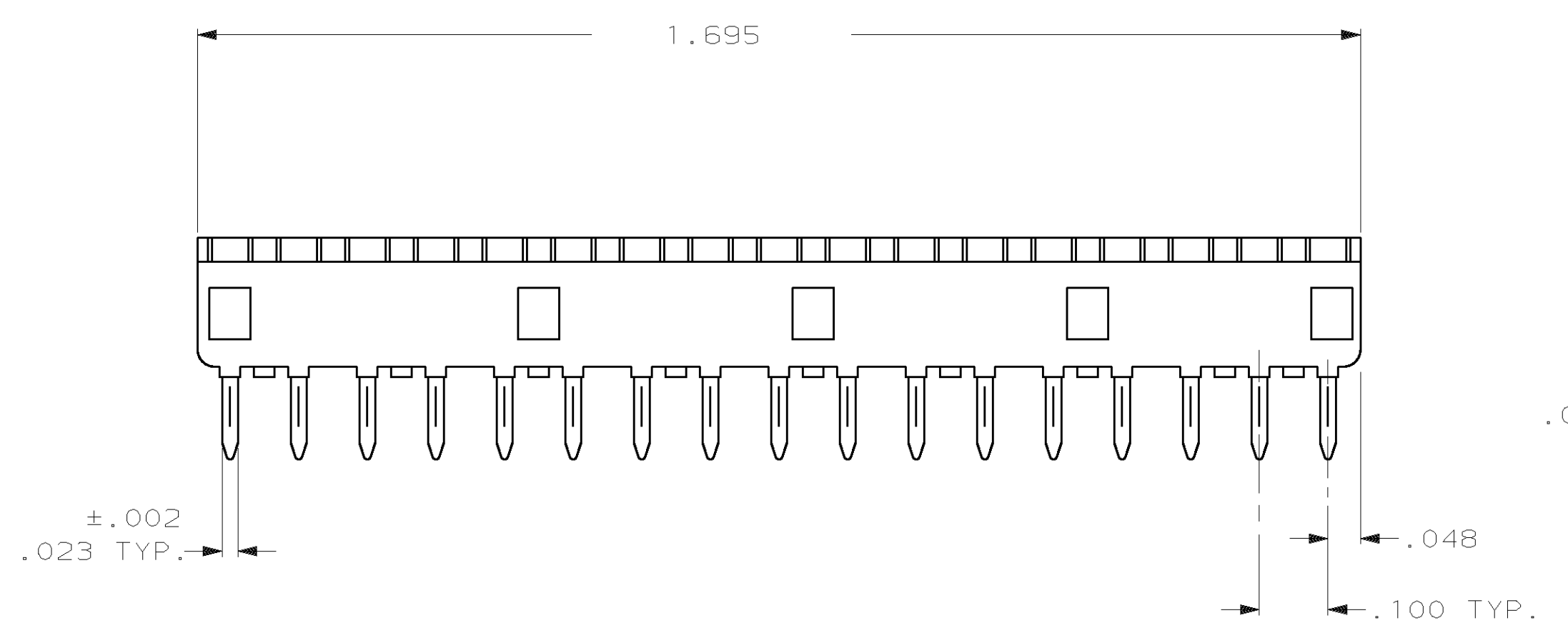
Address: A1208, Overseas Decoration Building, #122 Zhenhua RD., Futian, Shenzhen, China



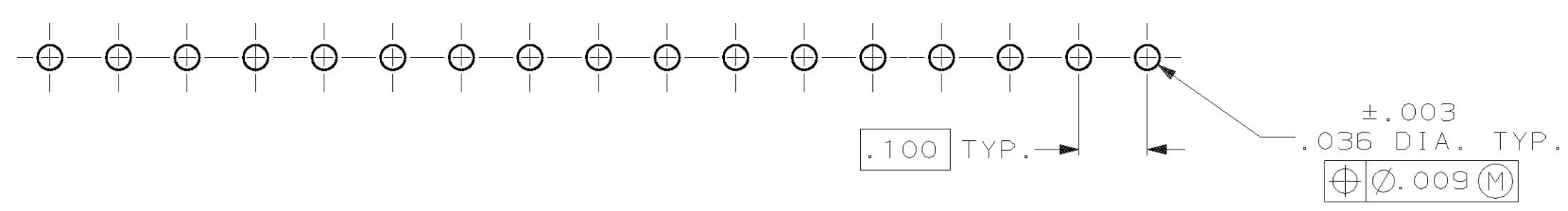


**SECTION A-A**  
 ROTATED 90° CW  
 SCALE 10:1  
 FOR -6, -7 & -8 ONLY

1. RECEPTACLE ACCEPTS AN .008-.014 THK. I.C. LEAD.
- ① TWO .000030 MIN. THK. GOLD STRIPES IN CONTACT AREA, TIN-LEAD (93-7) ON CONTACT LEGS, BALANCE OF CONTACT NICKEL PLATED.
- ② TWO .000015 MIN. THK. GOLD STRIPES IN CONTACT AREA, TIN-LEAD (93-7) ON CONTACT LEGS, BALANCE OF CONTACT NICKEL PLATED.
- ④ TUBE LOADED.



**SECTION A-A**  
 ROTATED 90° CW  
 SCALE 10:1  
 FOR -1, -2, -3 & 2--3 ONLY



RECOMMENDED MOUNTING HOLE PATTERN

④	TINNED	PHOS. BRZ.	GLASS-FILLED THERMOPLASTIC, 94V-0, BLACK	2-643649-3	
	TINNED	PHOS. BRZ.	GLASS-FILLED THERMOPLASTIC, 94V-0, BLACK	643649-8	
OBSOLETE	④	BE. CU.	GLASS-FILLED THERMOPLASTIC, 94V-0, BLACK	643649-7	
OBSOLETE	TINNED	BE. CU.	GLASS-FILLED THERMOPLASTIC, 94V-0, BLACK	643649-6	
SUPSD BY	643649-2	④	PHOS. BRZ.	GLASS-FILLED THERMOPLASTIC, 94V-0, BLACK	643649-4
OBSOLETE	TINNED	PHOS. BRZ.	GLASS-FILLED THERMOPLASTIC, 94V-0, BLACK	643649-3	
OBSOLETE	④	BE. CU.	GLASS-FILLED THERMOPLASTIC, 94V-0, BLACK	643649-2	
	TINNED	BE. CU.	GLASS-FILLED THERMOPLASTIC, 94V-0, BLACK	643649-1	
	CONTACT FINISH	CONTACT MAT'L	HOUSING MATERIAL	PART NO.	

THIS DRAWING IS A CONTROLLED DOCUMENT.

DIMENSIONS IN INCHES	TOLERANCES UNLESS OTHERWISE SPECIFIED.	DWN M. CYRUS 6-1-84	AMP Incorporated Harrisburg, PA 17105-3608
0 PLC ±.005	1 PLC ±.005	CHK N. JONES 7-3-84	AMP
2 PLC ±.005	3 PLC ±.005	APVD J. GRAY 7-10-84	SOCKET ASSY, SIP, 17 POS, DIPLOMATE DL
4 PLC ±.005	ANGLES ±.1°	PRODUCT SPEC 108-1066	SIZE 108-1066
MATERIAL SEE TABLE	FINISH SEE TABLE	APPLICATION SPEC 114-1049	SCALE 5:1
		WEIGHT -	SHEET 1 OF 1
		CUSTOMER DRAWING	REV L