



Chipsmall Limited consists of a professional team with an average of over 10 year of expertise in the distribution of electronic components. Based in Hongkong, we have already established firm and mutual-benefit business relationships with customers from,Europe,America and south Asia,supplying obsolete and hard-to-find components to meet their specific needs.

With the principle of “Quality Parts,Customers Priority,Honest Operation,and Considerate Service”,our business mainly focus on the distribution of electronic components. Line cards we deal with include Microchip,ALPS,ROHM,Xilinx,Pulse,ON,Everlight and Freescale. Main products comprise IC,Modules,Potentiometer,IC Socket,Relay,Connector.Our parts cover such applications as commercial,industrial, and automotives areas.

We are looking forward to setting up business relationship with you and hope to provide you with the best service and solution. Let us make a better world for our industry!



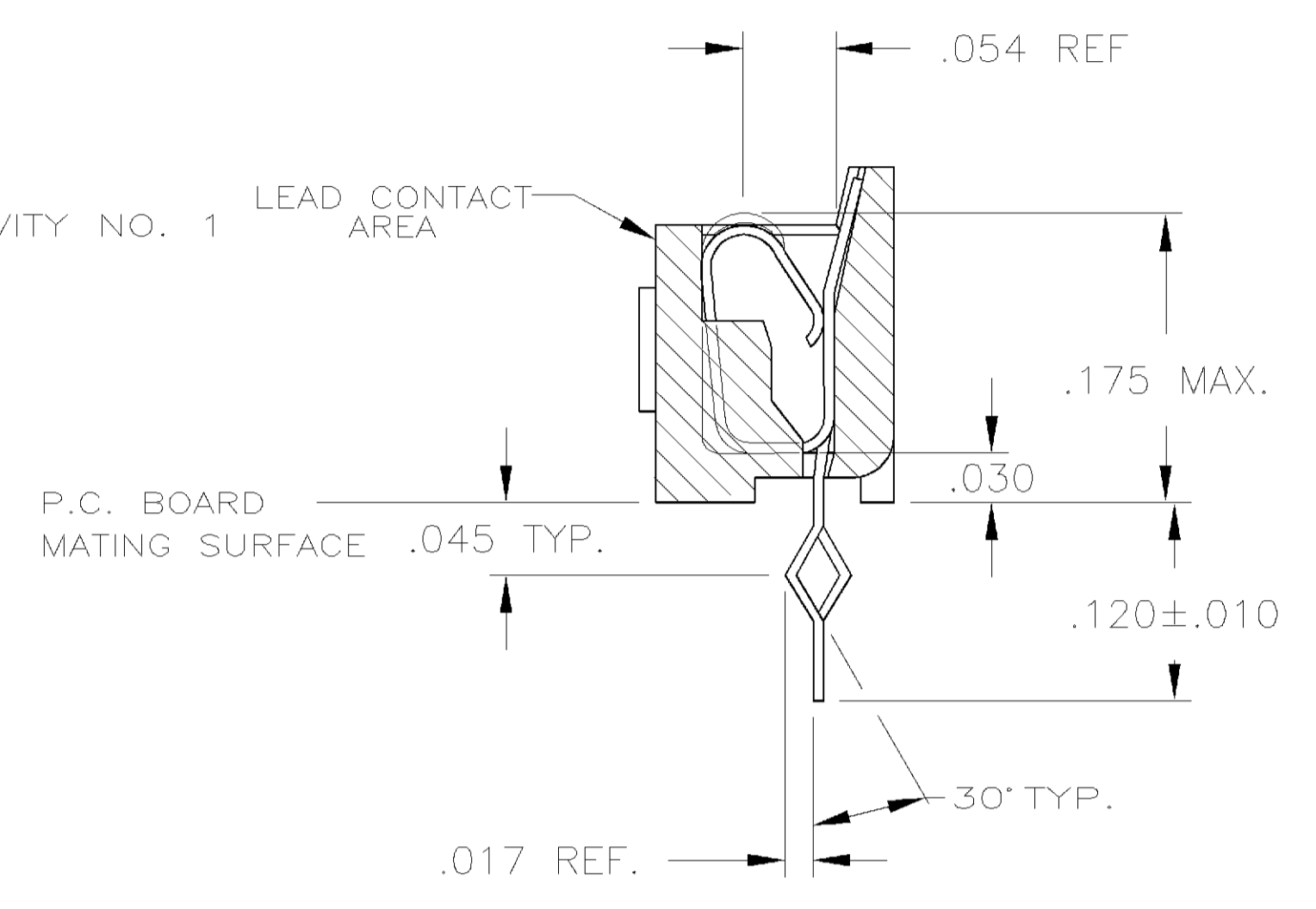
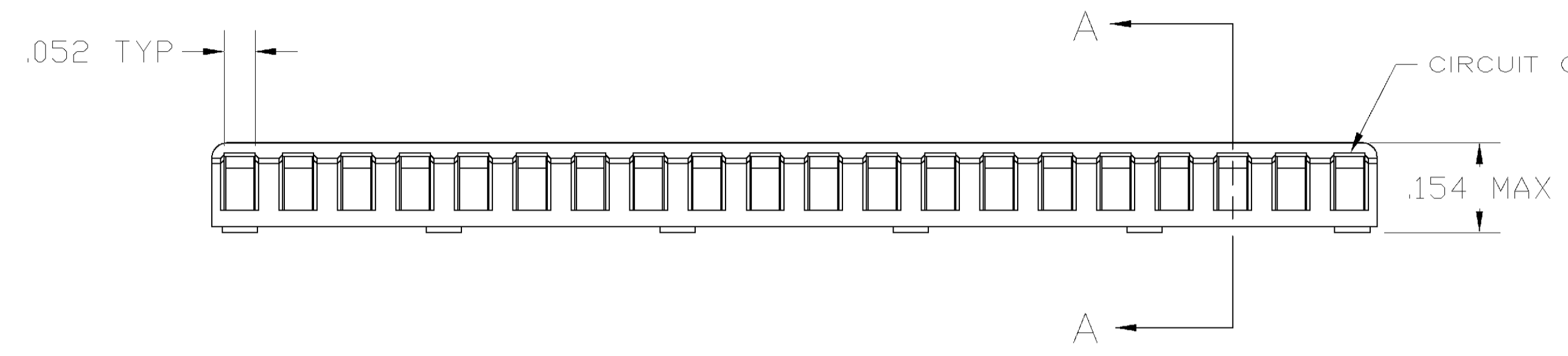
Contact us

Tel: +86-755-8981 8866 Fax: +86-755-8427 6832

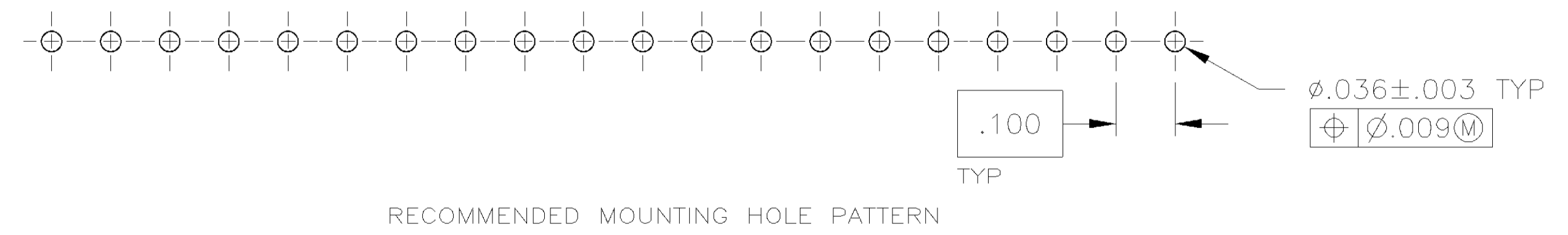
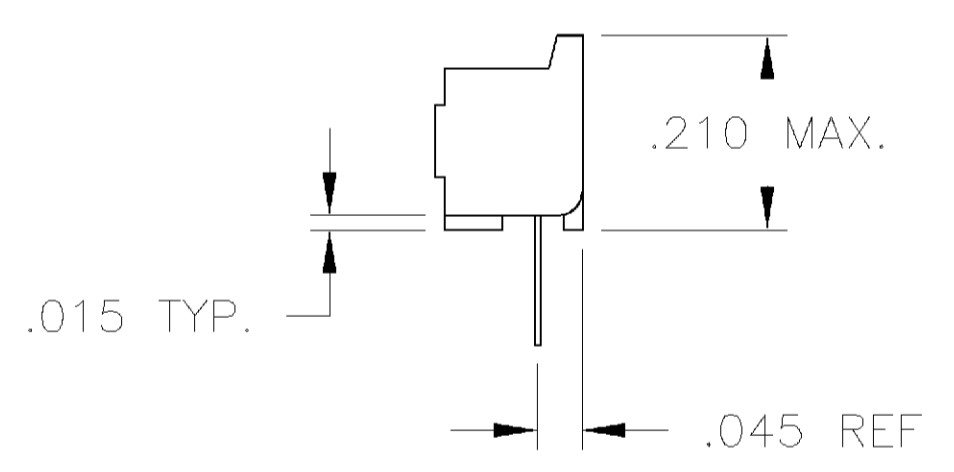
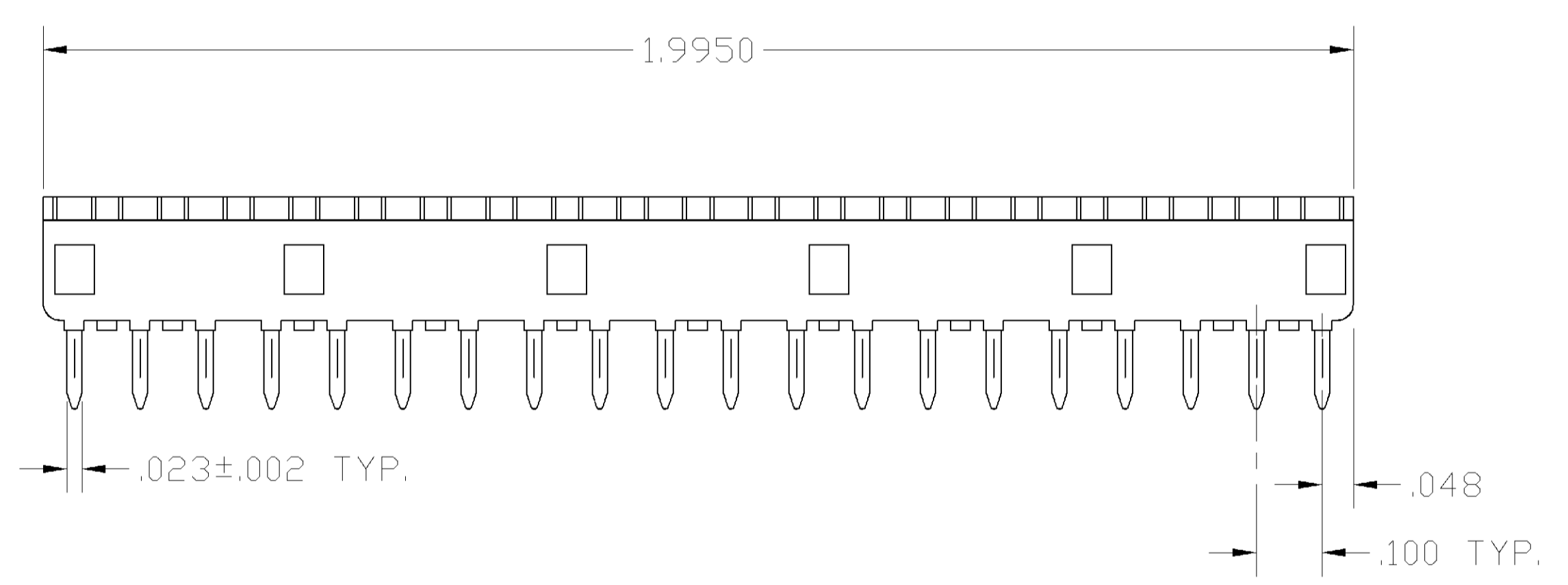
Email & Skype: info@chipsmall.com Web: www.chipsmall.com

Address: A1208, Overseas Decoration Building, #122 Zhenhua RD., Futian, Shenzhen, China

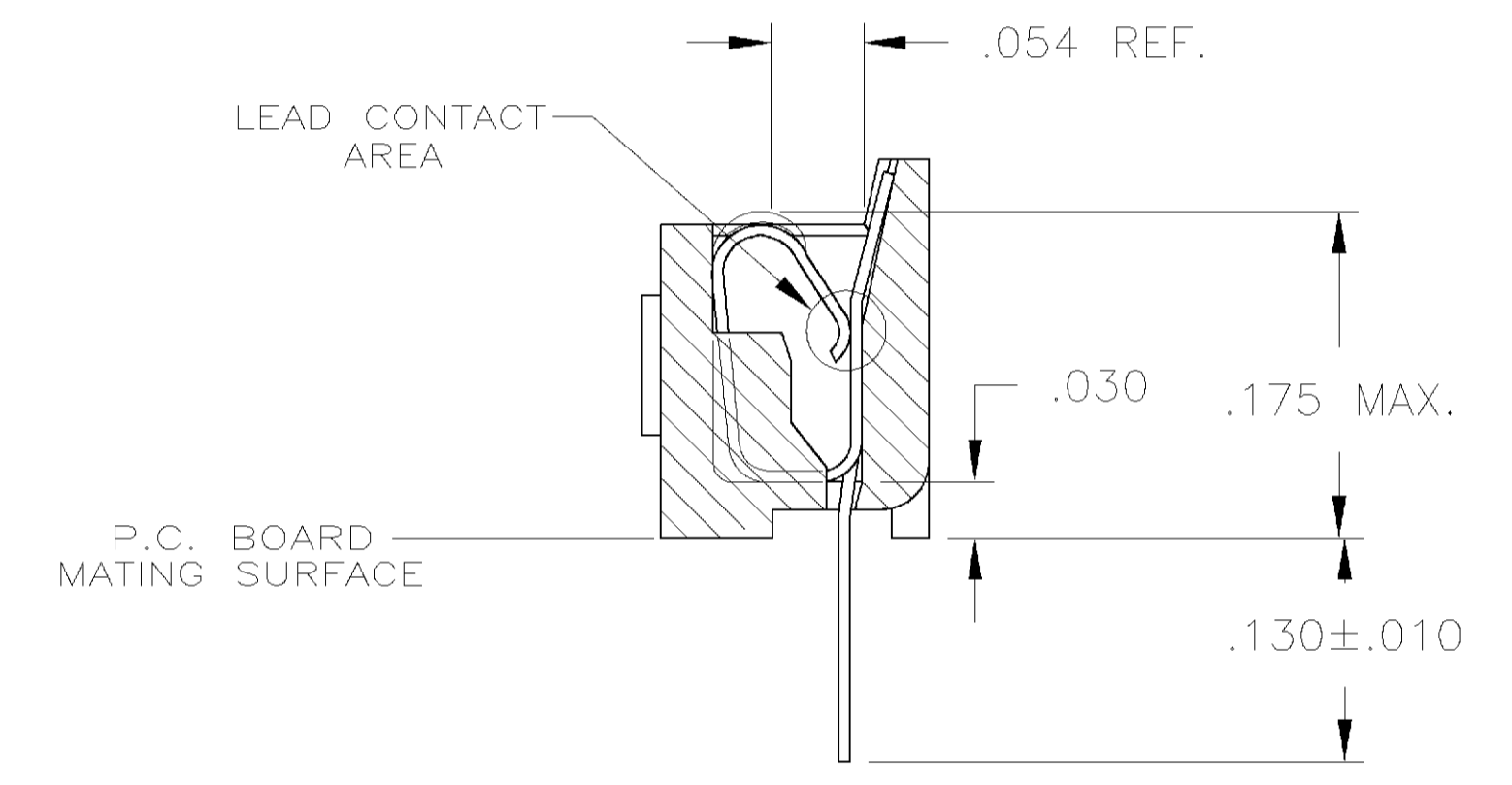




SECTION A-A
 ROTATED 90° CW
 SCALE 10:1
 FOR -6, -7 & -8 ONLY



1. RECEPTACLE ACCEPTS AN .008-.014 THK. I.C. LEAD.
- ② TWO .000030 MIN.THK.GOLD STRIPES IN CONTACT AREA, TIN-LEAD(93-7) ON CONTACT LEGS, BALANCE OF CONTACT NICKEL PLATED.
- ③ TWO .000015 MIN.THK.GOLD STRIPES IN CONTACT AREA, TIN-LEAD(93-7) ON CONTACT LEGS, BALANCE OF CONTACT NICKEL PLATED.
- ④ TUBE LOADED.



SECTION A-A
 ROTATED 90° CW
 SCALE 10:1
 FOR -1, -2 & -3 ONLY

OBSOLETE	TINNED	PHOS.BRZ.	GLASS-FILLED THERMOPLASTIC, 94V-0, BLACK	2-643652-3	
	OBSOLETE	TINNED	PHOS.BRZ.	GLASS-FILLED THERMOPLASTIC, 94V-0, BLACK	643652-8
	②	BE.CU.	GLASS-FILLED THERMOPLASTIC, 94V-0, BLACK	643652-7	
	③	BE.CU.	GLASS-FILLED THERMOPLASTIC, 94V-0, BLACK	643652-6	
SUPSD BY 643652-2	TINNED	PHOS.BRZ.	GLASS-FILLED THERMOPLASTIC, 94V-0, BLACK	643652-4	
OBSOLETE	TINNED	PHOS.BRZ.	GLASS-FILLED THERMOPLASTIC, 94V-0, BLACK	643652-3	
	②	BE.CU.	GLASS-FILLED THERMOPLASTIC, 94V-0, BLACK	643652-2	
	TINNED	BE.CU.	GLASS-FILLED THERMOPLASTIC, 94V-0, BLACK	643652-1	
CONTACT FINISH		CONTACT MAT'L	HOUSING MATERIAL	PART NO.	

THIS DRAWING IS A CONTROLLED DOCUMENT.		DWN	M. CYRUS	6-1-84
DIMENSIONS: INCHES		CHK	N. JONES	7-3-84
TOLERANCES UNLESS OTHERWISE SPECIFIED:		APVD	J. GRAY	7-10-84
0 PLC	± -	NAME		
1 PLC	± -	SOCKET ASSY, SIP, 20 POS, DIPLOMATE DL		
2 PLC	± -	PRODUCT SPEC: 108-1066		
3 PLC	± .005	APPLICATION SPEC: 114-1049		
4 PLC	± -	SIZE	A1	00779
ANGLES	± -	SCALE	5:1	SHEET 1 OF 1
MATERIAL: SEE TABLE	FINISH: SEE TABLE	WEIGHT	-	REV L
CUSTOMER DRAWING		AMP Tyco Electronics Corporation Harrisburg, PA 17105		