



Chipsmall Limited consists of a professional team with an average of over 10 year of expertise in the distribution of electronic components. Based in Hongkong, we have already established firm and mutual-benefit business relationships with customers from,Europe,America and south Asia,supplying obsolete and hard-to-find components to meet their specific needs.

With the principle of “Quality Parts,Customers Priority,Honest Operation,and Considerate Service”,our business mainly focus on the distribution of electronic components. Line cards we deal with include Microchip,ALPS,ROHM,Xilinx,Pulse,ON,Everlight and Freescale. Main products comprise IC,Modules,Potentiometer,IC Socket,Relay,Connector.Our parts cover such applications as commercial,industrial, and automotives areas.

We are looking forward to setting up business relationship with you and hope to provide you with the best service and solution. Let us make a better world for our industry!



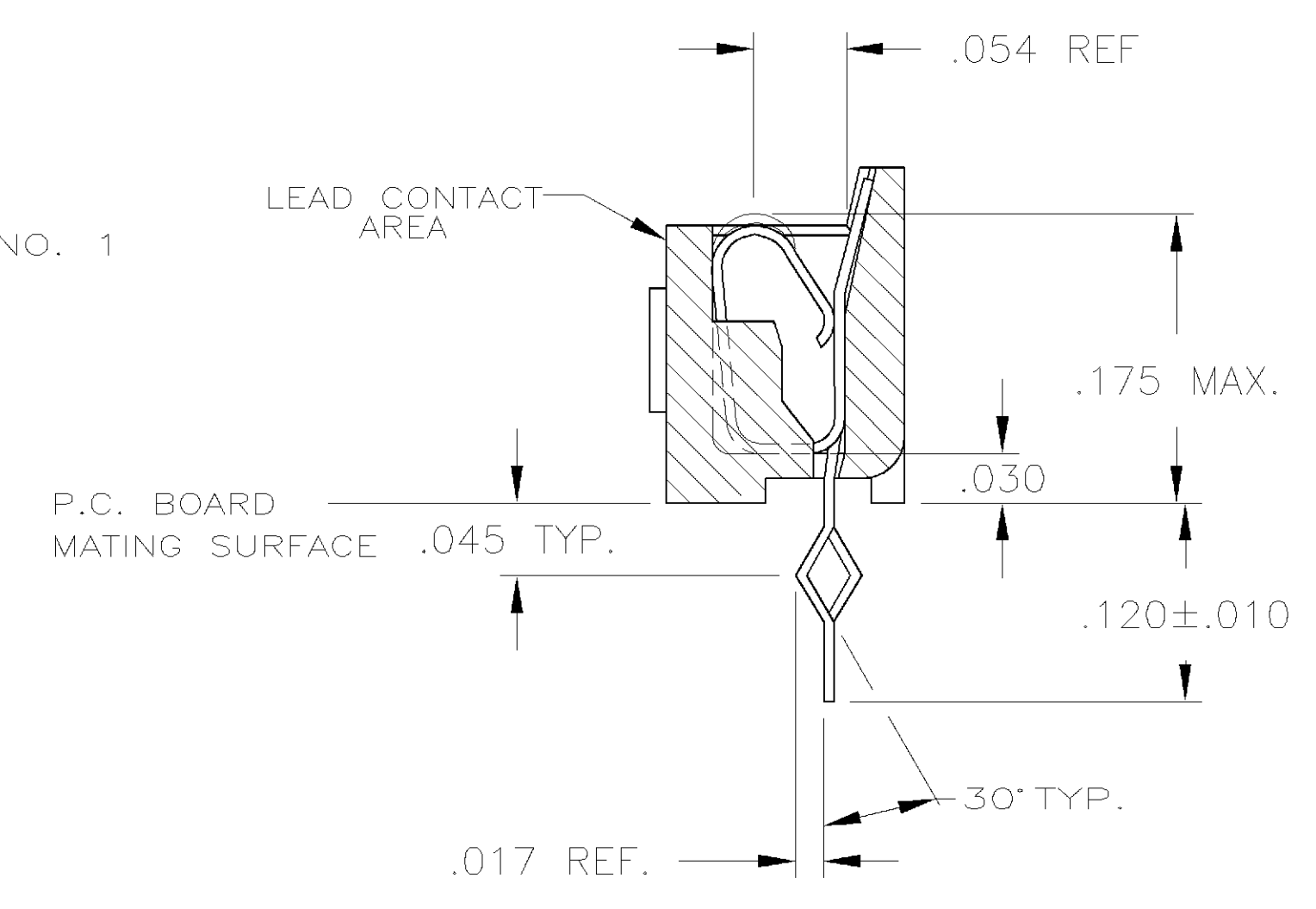
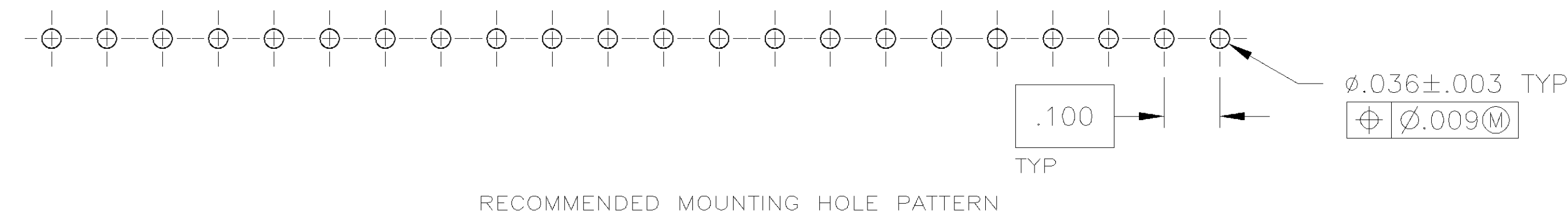
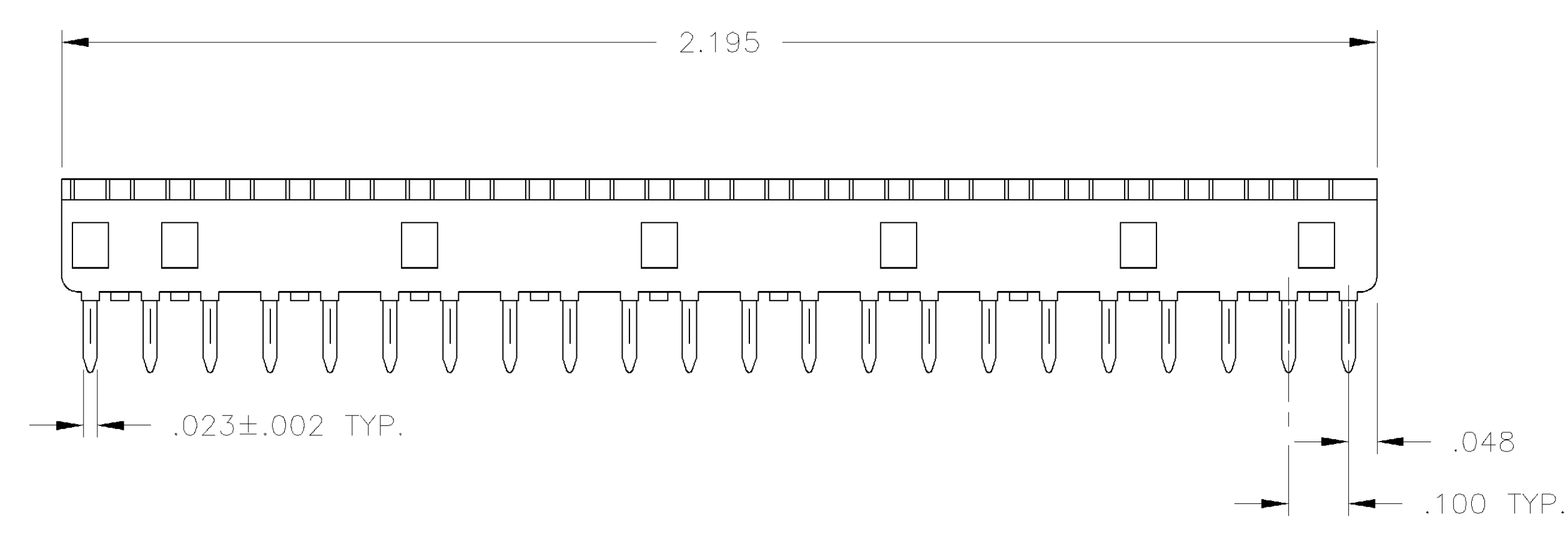
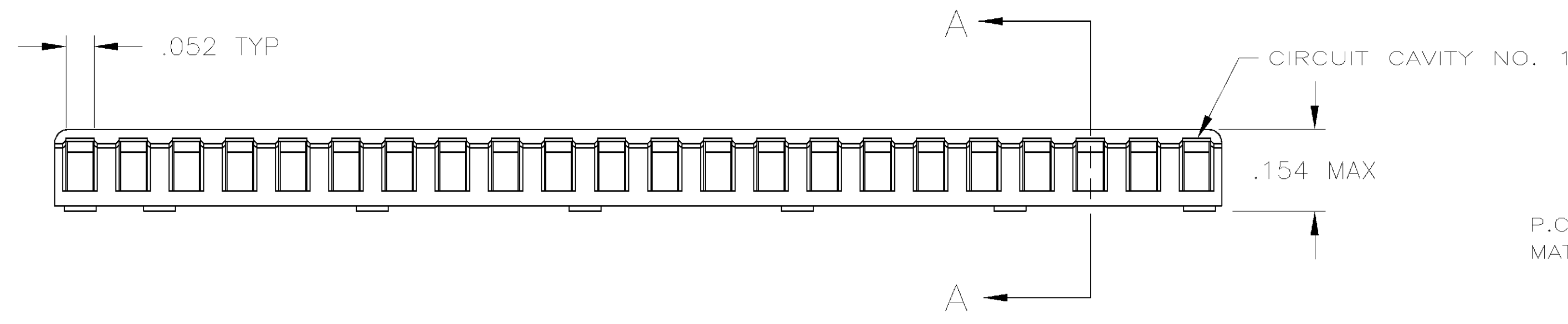
## Contact us

Tel: +86-755-8981 8866 Fax: +86-755-8427 6832

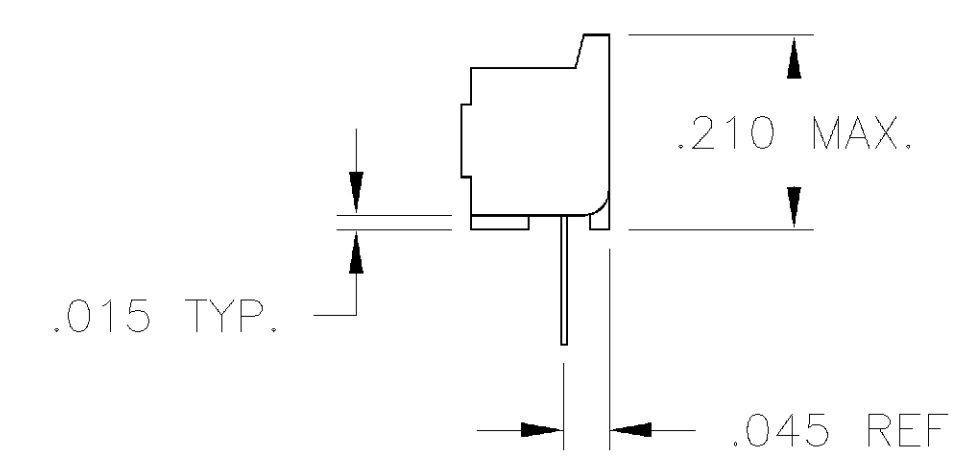
Email & Skype: info@chipsmall.com Web: www.chipsmall.com

Address: A1208, Overseas Decoration Building, #122 Zhenhua RD., Futian, Shenzhen, China

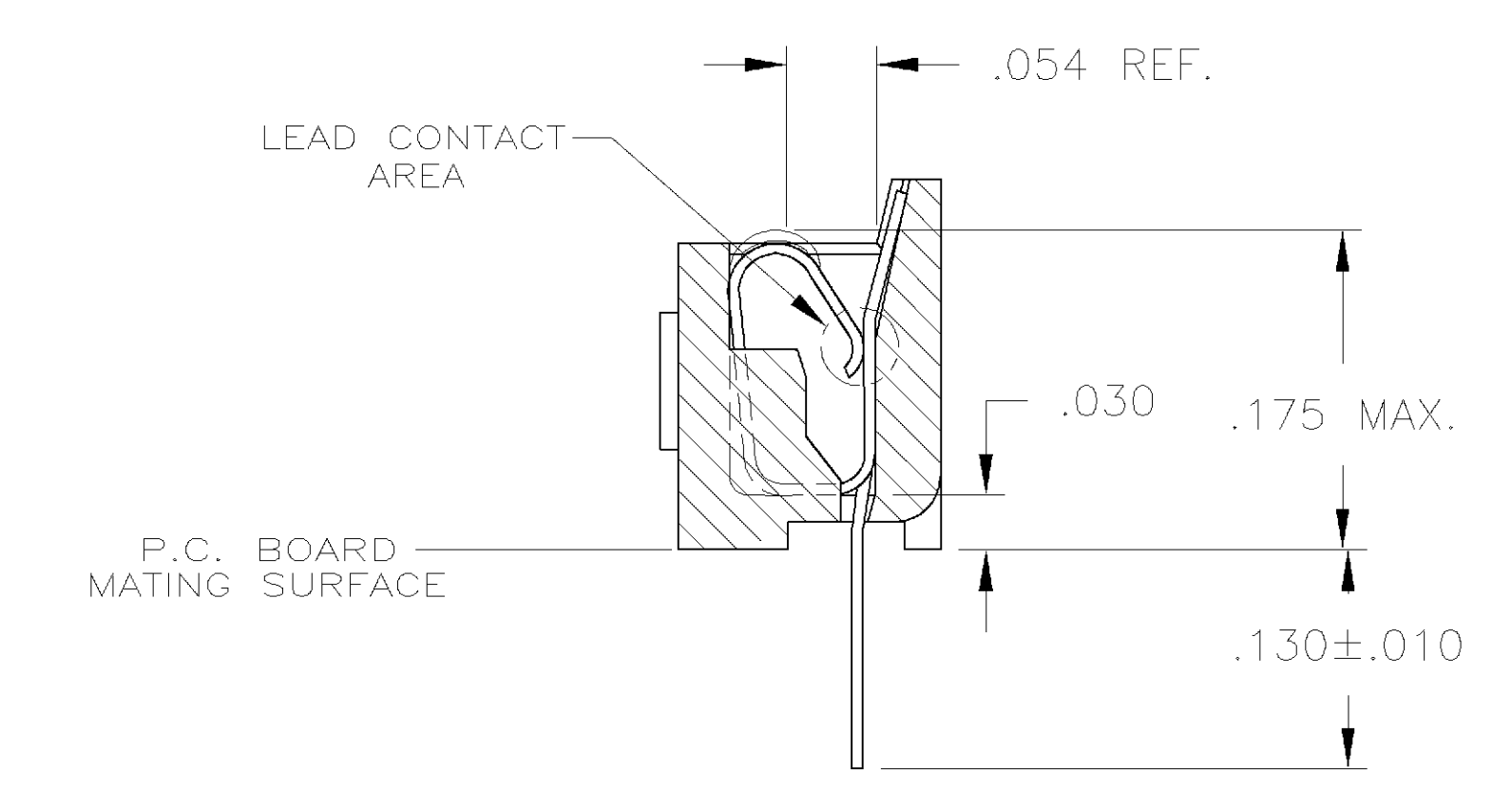




SECTION A-A  
 ROTATED 90° CW  
 SCALE 10:1  
 FOR -6, -7 & -8 ONLY



- 1. RECEPTACLE ACCEPTS AN .008-.014 THK. I.C. LEAD.
- ② TWO .000030 MIN. THK. GOLD STRIPES IN CONTACT AREA, TIN-LEAD(93-7) ON CONTACT LEGS, BALANCE OF CONTACT NICKEL PLATED.
- ③ TWO .000015 MIN. THK. GOLD STRIPES IN CONTACT AREA, TIN-LEAD(93-7) ON CONTACT LEGS, BALANCE OF CONTACT NICKEL PLATED.



SECTION A-A  
 ROTATED 90° CW  
 SCALE 10:1  
 FOR -1, -2 & -3 ONLY

OBSOLETE	TINNED	PHOS BRONZE	GLASS-FILLED THERMOPLASTIC UL94V-0, BLACK	643654-8
OBSOLETE	③	BE.CU.	GLASS-FILLED THERMOPLASTIC UL94V-0, BLACK	643654-7
OBSOLETE	TINNED	BE.CU.	GLASS-FILLED THERMOPLASTIC UL94V-0, BLACK	643654-6
SUPSD BY 643654-2	③	PHOS BRONZE	GLASS-FILLED THERMOPLASTIC UL94V-0, BLACK	643654-4
OBSOLETE	TINNED	PHOS BRONZE	GLASS-FILLED THERMOPLASTIC UL94V-0, BLACK	643654-3
OBSOLETE	③	BE CU	GLASS-FILLED THERMOPLASTIC UL94V-0, BLACK	643654-2
	TIN-LEAD PLATE	BE CU	GLASS-FILLED THERMOPLASTIC UL94V-0, BLACK	643654-1
	CONTACT FINISH	TINNED	HOUSING MATERIAL AND COLOR	PART NUMBER

THIS DRAWING IS A CONTROLLED DOCUMENT.

DIMENSIONS: INCHES	TOLERANCES UNLESS OTHERWISE SPECIFIED:	DWN: M. FISSEL 6-1-84	APVD: J. GRAY 5-22-84	NAME: SOCKET ASSY, SIP, 22 POS, DIPLOMATE DL
0 PLC ± -	1 PLC ± -	CHK: N. JONES 5-18-84	PRODUCT SPEC: 108-1066	SIZE: A1
2 PLC ± -	3 PLC ± .005		APPLICATION SPEC: 114-1049	SCALE: 5:1
4 PLC ± -	ANGLES ± ±		WEIGHT: -	SHEET 1 OF 1
MATERIAL: SEE TABLE	FINISH: SEE TABLE		CUSTOMER DRAWING	REV M

AMP Tyco Electronics Corporation  
 Harrisburg, PA 17105