



Chipsmall Limited consists of a professional team with an average of over 10 year of expertise in the distribution of electronic components. Based in Hongkong, we have already established firm and mutual-benefit business relationships with customers from,Europe,America and south Asia,supplying obsolete and hard-to-find components to meet their specific needs.

With the principle of "Quality Parts,Customers Priority,Honest Operation,and Considerate Service",our business mainly focus on the distribution of electronic components. Line cards we deal with include Microchip,ALPS,ROHM,Xilinx,Pulse,ON,Everlight and Freescale. Main products comprise IC,Modules,Potentiometer,IC Socket,Relay,Connector.Our parts cover such applications as commercial,industrial, and automotives areas.

We are looking forward to setting up business relationship with you and hope to provide you with the best service and solution. Let us make a better world for our industry!



Contact us

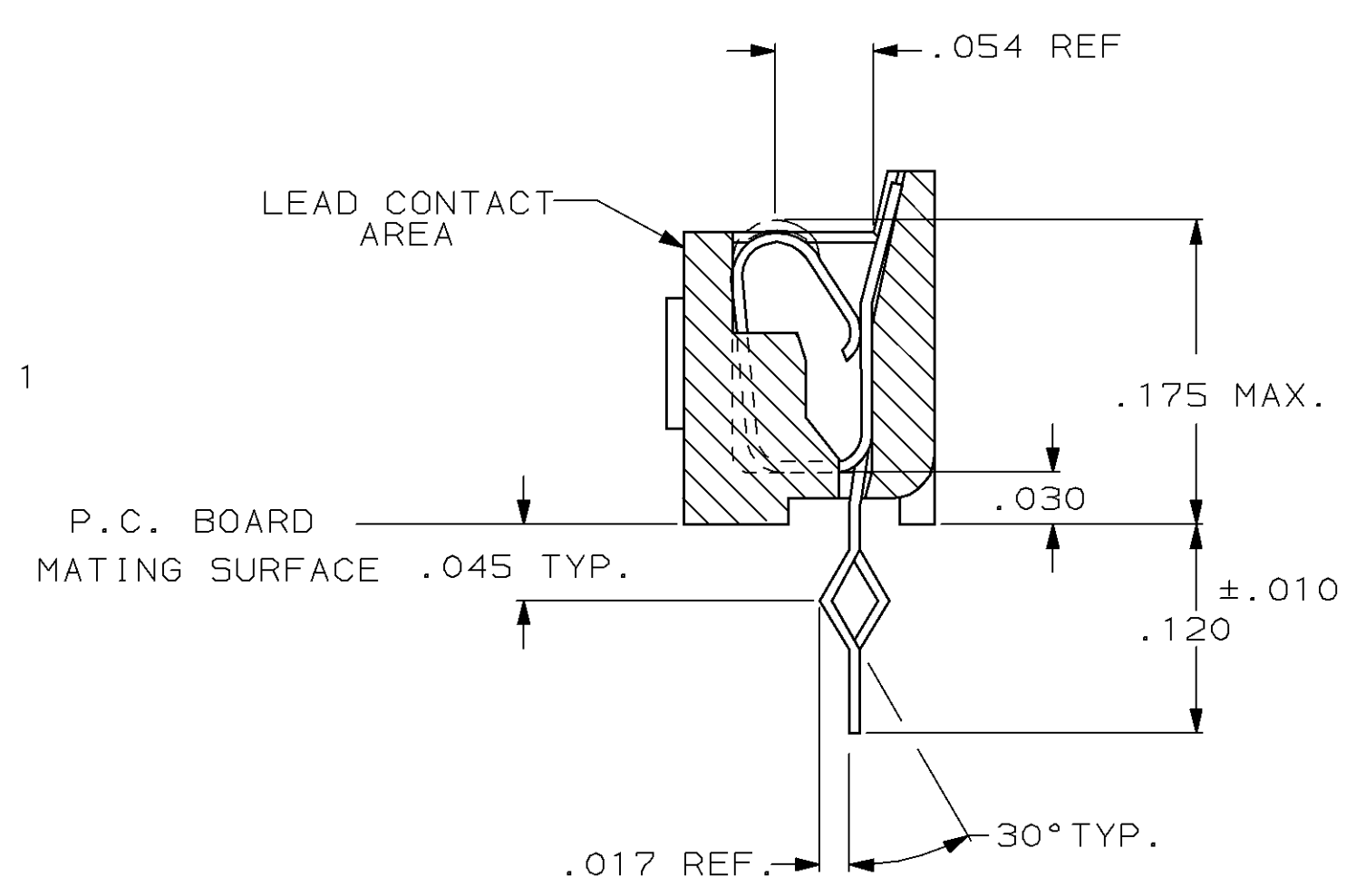
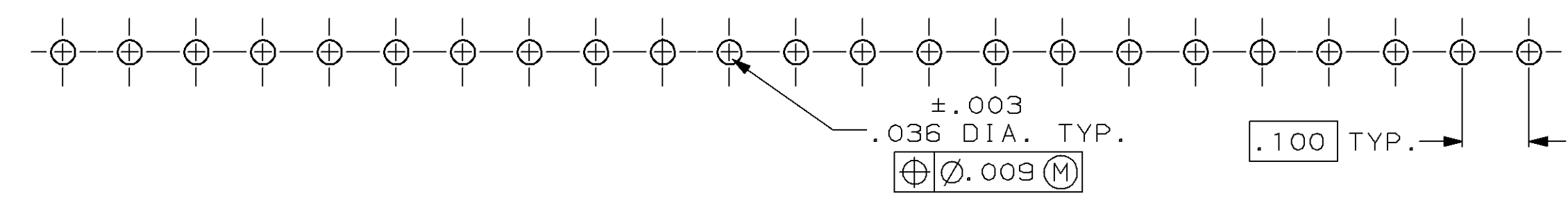
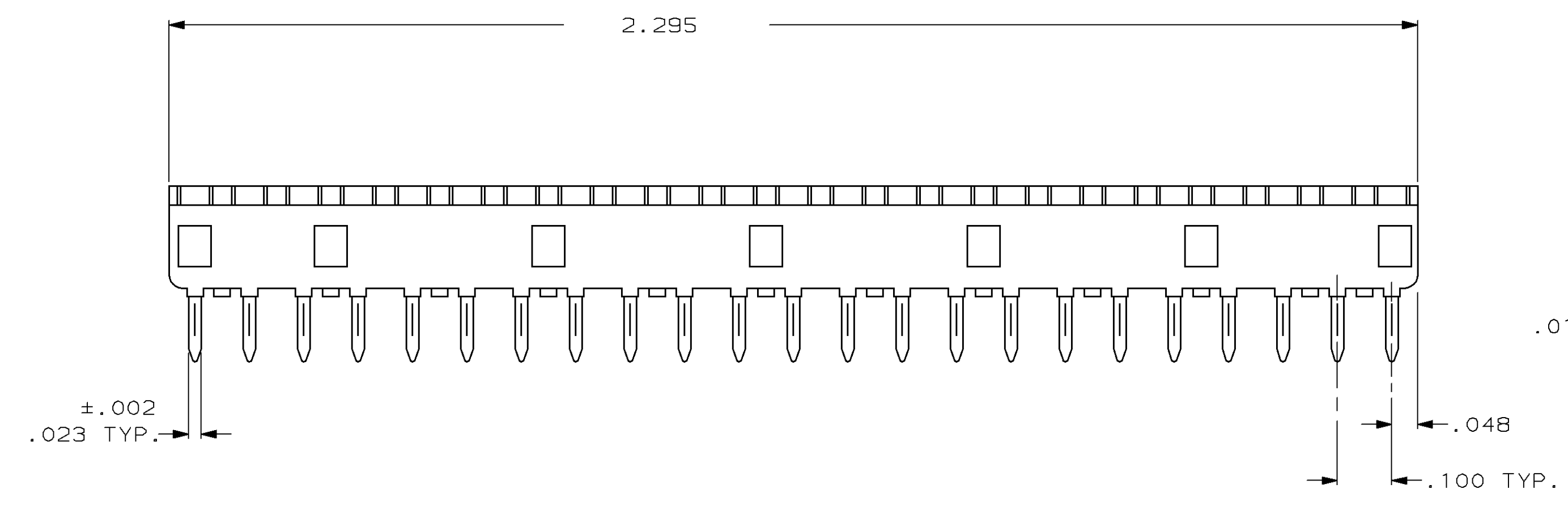
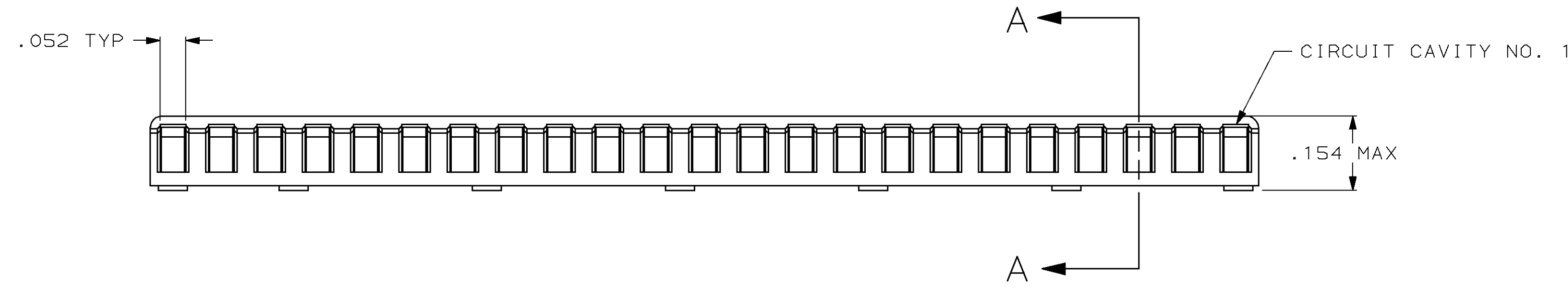
Tel: +86-755-8981 8866 Fax: +86-755-8427 6832

Email & Skype: info@chipsmall.com Web: www.chipsmall.com

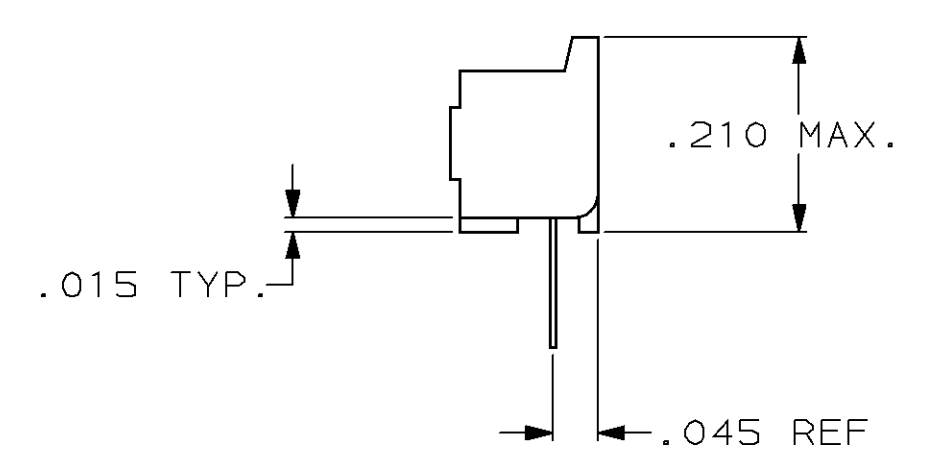
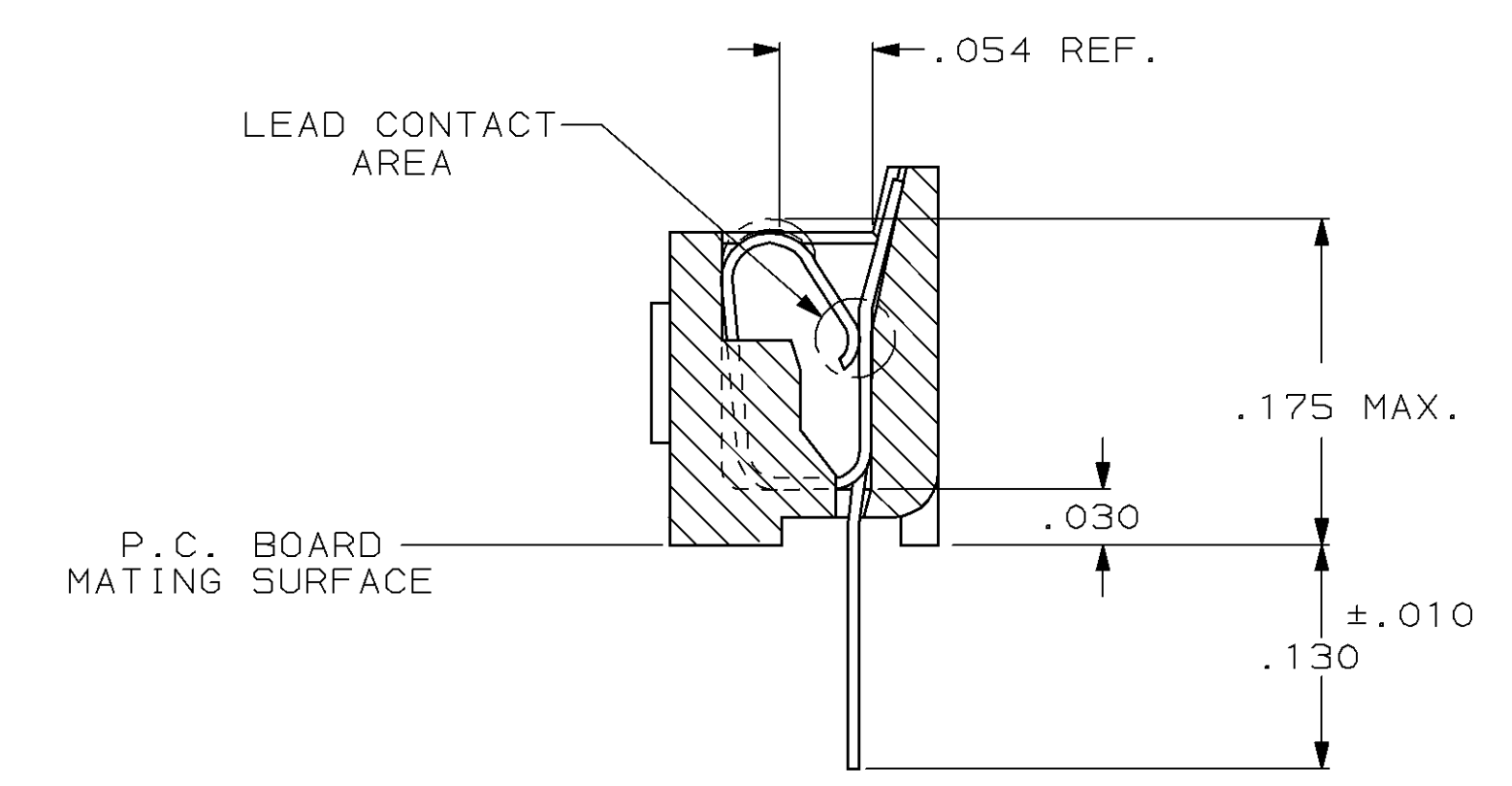
Address: A1208, Overseas Decoration Building, #122 Zhenhua RD., Futian, Shenzhen, China



LOC	DIST	REVISIONS			
P	LTR	DESCRIPTION	DATE	DNW	APVD
J		REV PER EC 0320-138-97	12 MAY 97	MB	GJ
K		REV PER EC 0330-35-97	21 JUL 97	DH	GJ



- RECEPTACLE ACCEPTS AN .008-.014 THK. I.C. LEAD.
- TWO .000030 MIN. THK. GOLD STRIPES IN CONTACT AREA, TIN-LEAD (93-7) ON CONTACT LEGS, BALANCE OF CONTACT NICKEL PLATED.
- TWO .000015 MIN. THK. GOLD STRIPES IN CONTACT AREA, TIN-LEAD (93-7) ON CONTACT LEGS, BALANCE OF CONTACT NICKEL PLATED.



	CONTACT FINISH	CONTACT MAT'L	HOUSING MATERIAL	PART NO.
	TINNED	PHOS. BRZ.	GLASS-FILLED THERMOPLASTIC, 94V-0, BLACK	643655-8
OBSOLETE	TINNED	BE. CU.	GLASS-FILLED THERMOPLASTIC, 94V-0, BLACK	643655-7
	TINNED	BE. CU.	GLASS-FILLED THERMOPLASTIC, 94V-0, BLACK	643655-6
SUPSD BY 643655-2	TINNED	PHOS. BRZ.	GLASS-FILLED THERMOPLASTIC, 94V-0, BLACK	643655-4
OBSOLETE	TINNED	PHOS. BRZ.	GLASS-FILLED THERMOPLASTIC, 94V-0, BLACK	643655-3
OBSOLETE	TINNED	BE. CU.	GLASS-FILLED THERMOPLASTIC, 94V-0, BLACK	643655-2
OBSOLETE	TINNED	BE. CU.	GLASS-FILLED THERMOPLASTIC, 94V-0, BLACK	643655-1

THIS DRAWING IS A CONTROLLED DOCUMENT.

AMP Incorporated
Harrisburg, PA 17105-3608

SOCKET ASSY, SIP, 23 POS, DIPLOMATE™ DL

AMP 643655

SCALE 5:1 SHEET 1 OF 1 REV K