



Chipsmall Limited consists of a professional team with an average of over 10 year of expertise in the distribution of electronic components. Based in Hongkong, we have already established firm and mutual-benefit business relationships with customers from,Europe,America and south Asia,supplying obsolete and hard-to-find components to meet their specific needs.

With the principle of “Quality Parts,Customers Priority,Honest Operation,and Considerate Service”,our business mainly focus on the distribution of electronic components. Line cards we deal with include Microchip,ALPS,ROHM,Xilinx,Pulse,ON,Everlight and Freescale. Main products comprise IC,Modules,Potentiometer,IC Socket,Relay,Connector.Our parts cover such applications as commercial,industrial, and automotives areas.

We are looking forward to setting up business relationship with you and hope to provide you with the best service and solution. Let us make a better world for our industry!



Contact us

Tel: +86-755-8981 8866 Fax: +86-755-8427 6832

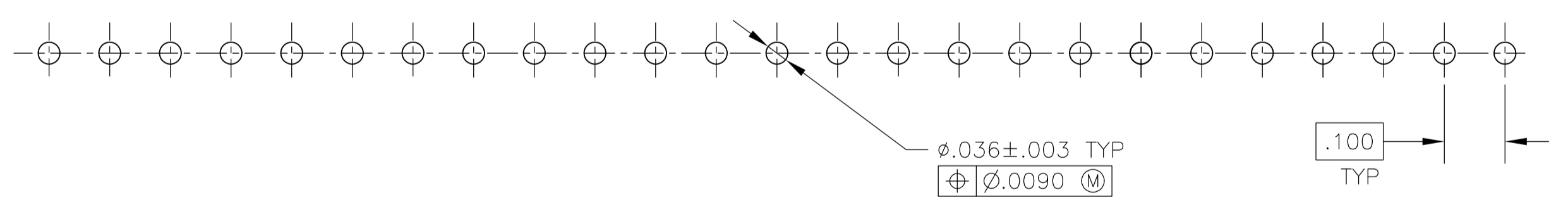
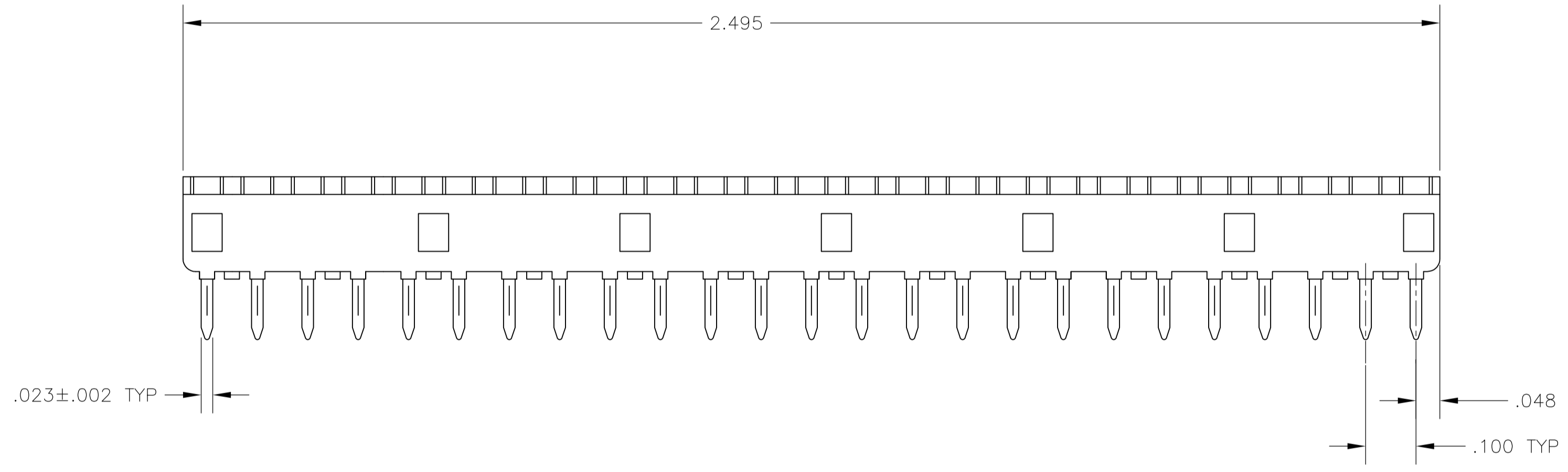
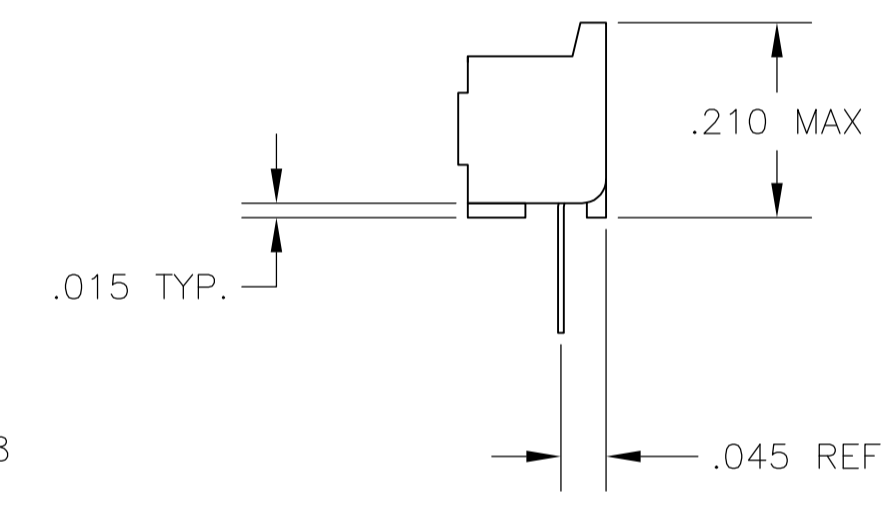
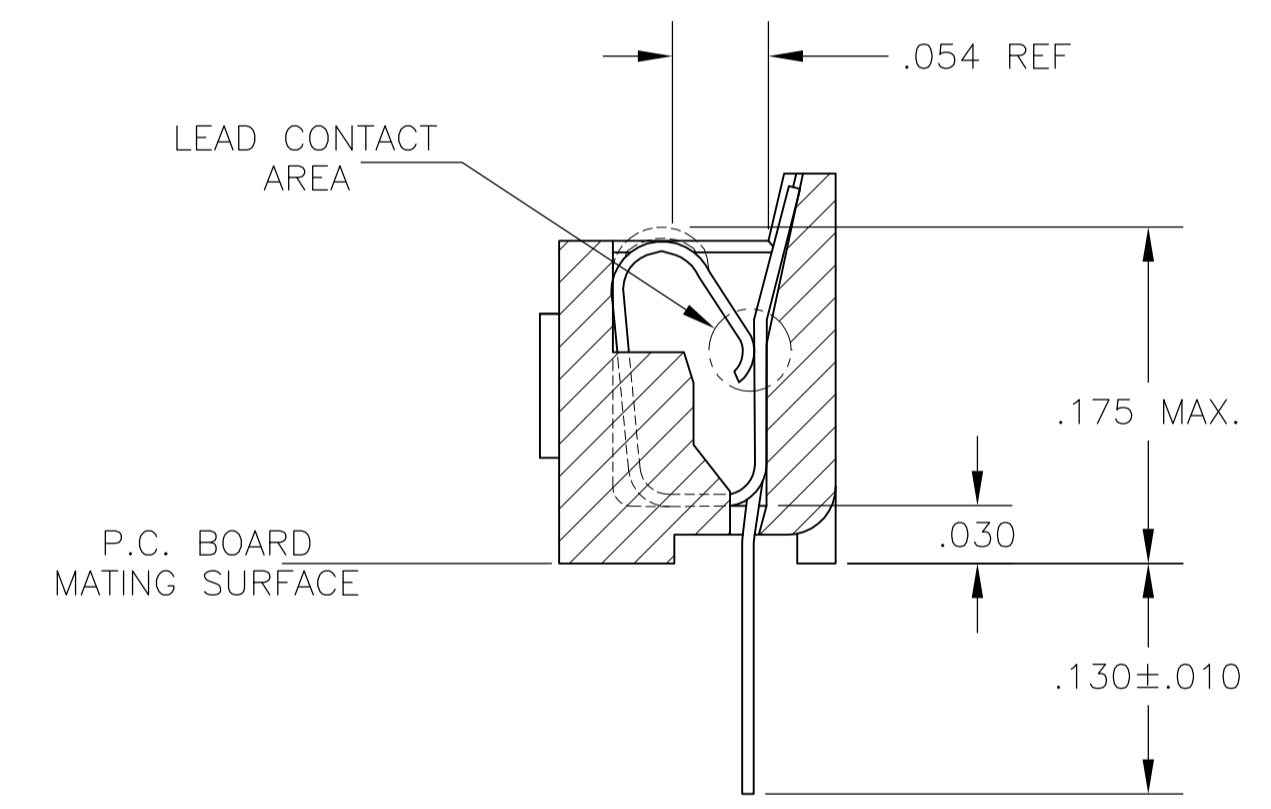
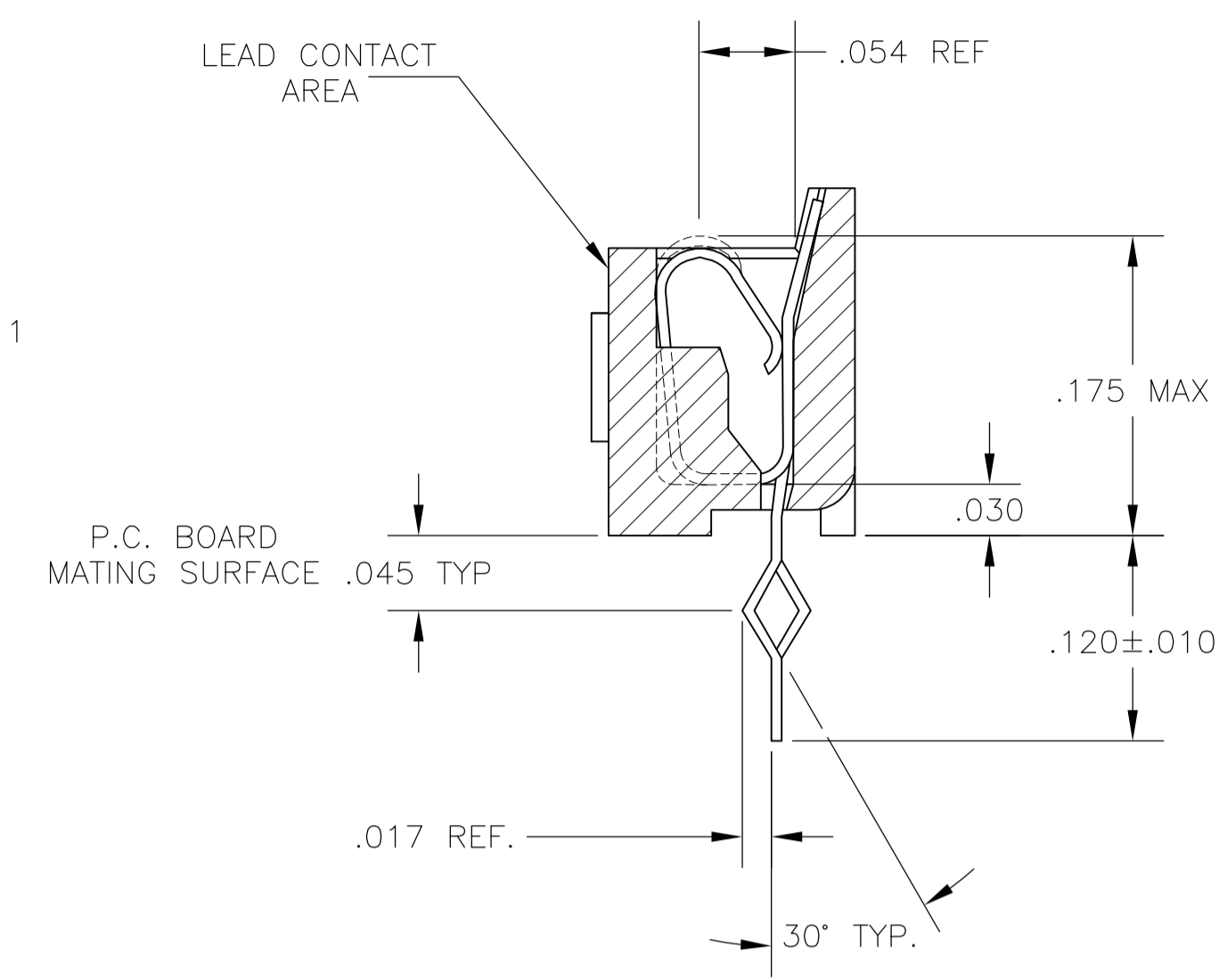
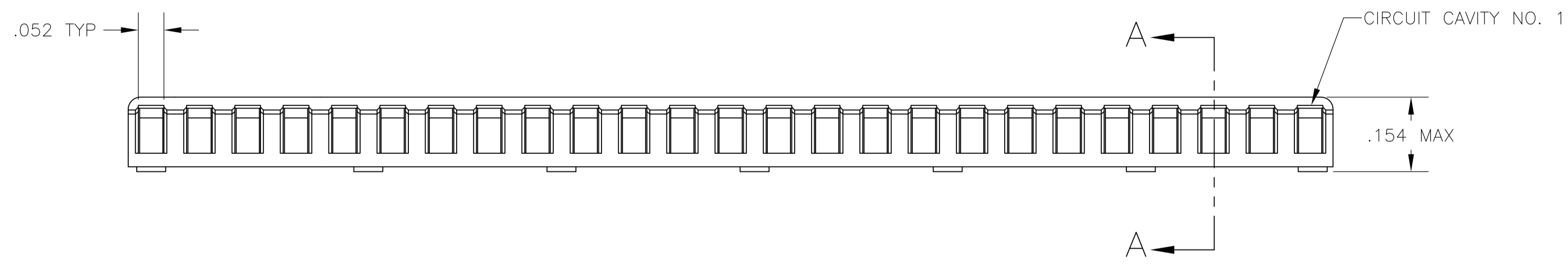
Email & Skype: info@chipsmall.com Web: www.chipsmall.com

Address: A1208, Overseas Decoration Building, #122 Zhenhua RD., Futian, Shenzhen, China



LOC		DIST		REVISIONS			
AD	00	REV	PER	DESCRIPTION	DATE	BY	APPD
L		REV PER	OG3C-0104-01		04SEP01	RB	JO
L1		REVISED PER	ECO-09-021510		14SEP09	KK	AEG

1. RECEPTACLE ACCEPTS AN .008-.014 THK. I.C. LEAD.
2. TWO .000030 MIN. THK. GOLD STRIPES IN CONTACT AREA, TIN-LEAD(93-7) ON CONTACT LEGS, BALANCE OF CONTACT NICKEL PLATED.
3. TWO .000015 MIN. THK. GOLD STRIPES IN CONTACT AREA, TIN-LEAD(93-7) ON CONTACT LEGS, BALANCE OF CONTACT NICKEL PLATED.
4. TUBE LOADED.
5. OBSOLETE PARTS: OBSOLETE CIS STREAMLINING PER D.RENAUD/D.SINISI



OBSOLETE / 4	TINNED	PHOS.BRZ.	GLASS-FILLED THERMOPLASTIC, 94V-0, BLACK	2-643657-3
OBSOLETE	TINNED	PHOS.BRZ.	GLASS-FILLED THERMOPLASTIC, 94V-0, BLACK	643657-8
OBSOLETE	TINNED	BE.CU.	GLASS-FILLED THERMOPLASTIC, 94V-0, BLACK	643657-7
OBSOLETE	TINNED	BE.CU.	GLASS-FILLED THERMOPLASTIC, 94V-0, BLACK	643657-6
SUPSD BY 643657-2	TINNED	PHOS.BRZ.	GLASS-FILLED THERMOPLASTIC, 94V-0, BLACK	643657-4
SUPERSEDED BY 643657-1	TINNED	PHOS.BRZ.	GLASS-FILLED THERMOPLASTIC, 94V-0, BLACK	643657-3
	TINNED	BE.CU.	GLASS-FILLED THERMOPLASTIC, 94V-0, BLACK	643657-2
	TINNED	BE.CU.	GLASS-FILLED THERMOPLASTIC, 94V-0, BLACK	643657-1
	CONTACT FINISH	CONTACT MAT'L	HOUSING MATERIAL	PART NO.

THIS DRAWING IS A CONTROLLED DOCUMENT.

DIMENSIONS: INCHES	TOLERANCES UNLESS OTHERWISE SPECIFIED:	DIN 30JUN84	Tyco Electronics Corporation
0. PLC ± -	1. PLC ± -	M. CYRUS 03JUL84	Harrisburg, Pa 17105-3608
2. PLC ± -	3. PLC ± .005	N. JONES 10JUL84	
4. PLC ± -	ANGLES ± 1'	J. GRAY 10JUL84	
MATERIAL SEE TABLE	FINISH SEE TABLE	PRODUCT SPEC 108-1066	SOCKET ASSY, SIP, 25 POS, DIPLOMATE DL
		APPLICATION SPEC 114-1049	
		WEIGHT -	SIZE CAGE CODE DRAWING NO RESTRICTED TO
			A1 00779 C=643657
		CUSTOMER DRAWING	SCALE 5:1 SHEET 1 OF 1 REV 1