



Chipsmall Limited consists of a professional team with an average of over 10 year of expertise in the distribution of electronic components. Based in Hongkong, we have already established firm and mutual-benefit business relationships with customers from,Europe,America and south Asia,supplying obsolete and hard-to-find components to meet their specific needs.

With the principle of “Quality Parts,Customers Priority,Honest Operation,and Considerate Service”,our business mainly focus on the distribution of electronic components. Line cards we deal with include Microchip,ALPS,ROHM,Xilinx,Pulse,ON,Everlight and Freescale. Main products comprise IC,Modules,Potentiometer,IC Socket,Relay,Connector.Our parts cover such applications as commercial,industrial, and automotives areas.

We are looking forward to setting up business relationship with you and hope to provide you with the best service and solution. Let us make a better world for our industry!



Contact us

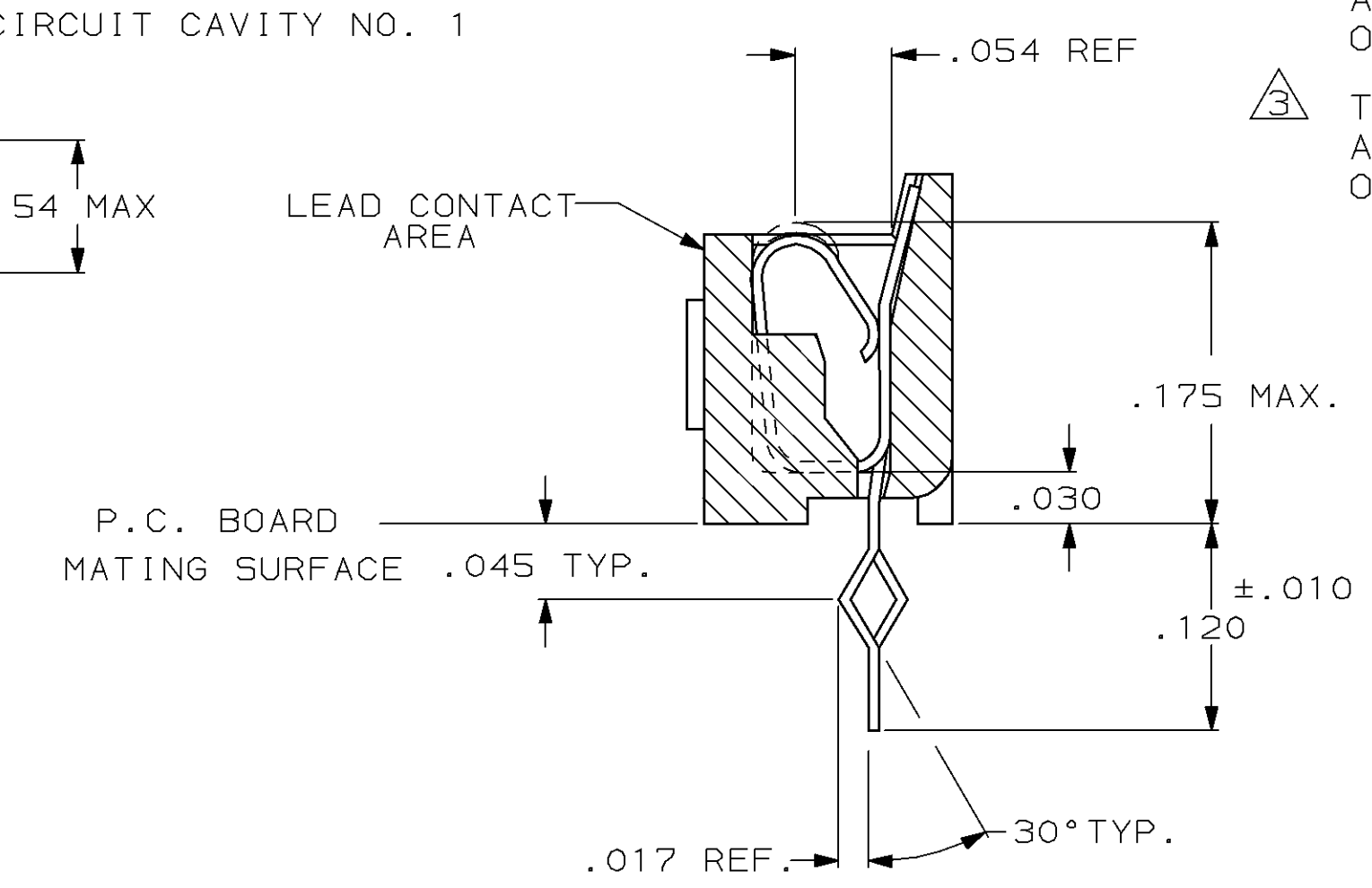
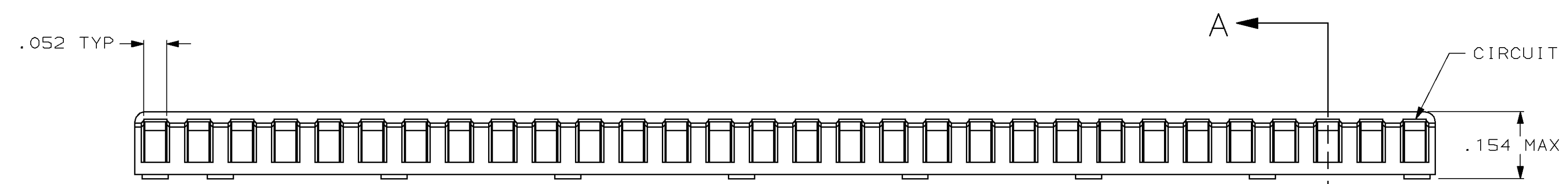
Tel: +86-755-8981 8866 Fax: +86-755-8427 6832

Email & Skype: info@chipsmall.com Web: www.chipsmall.com

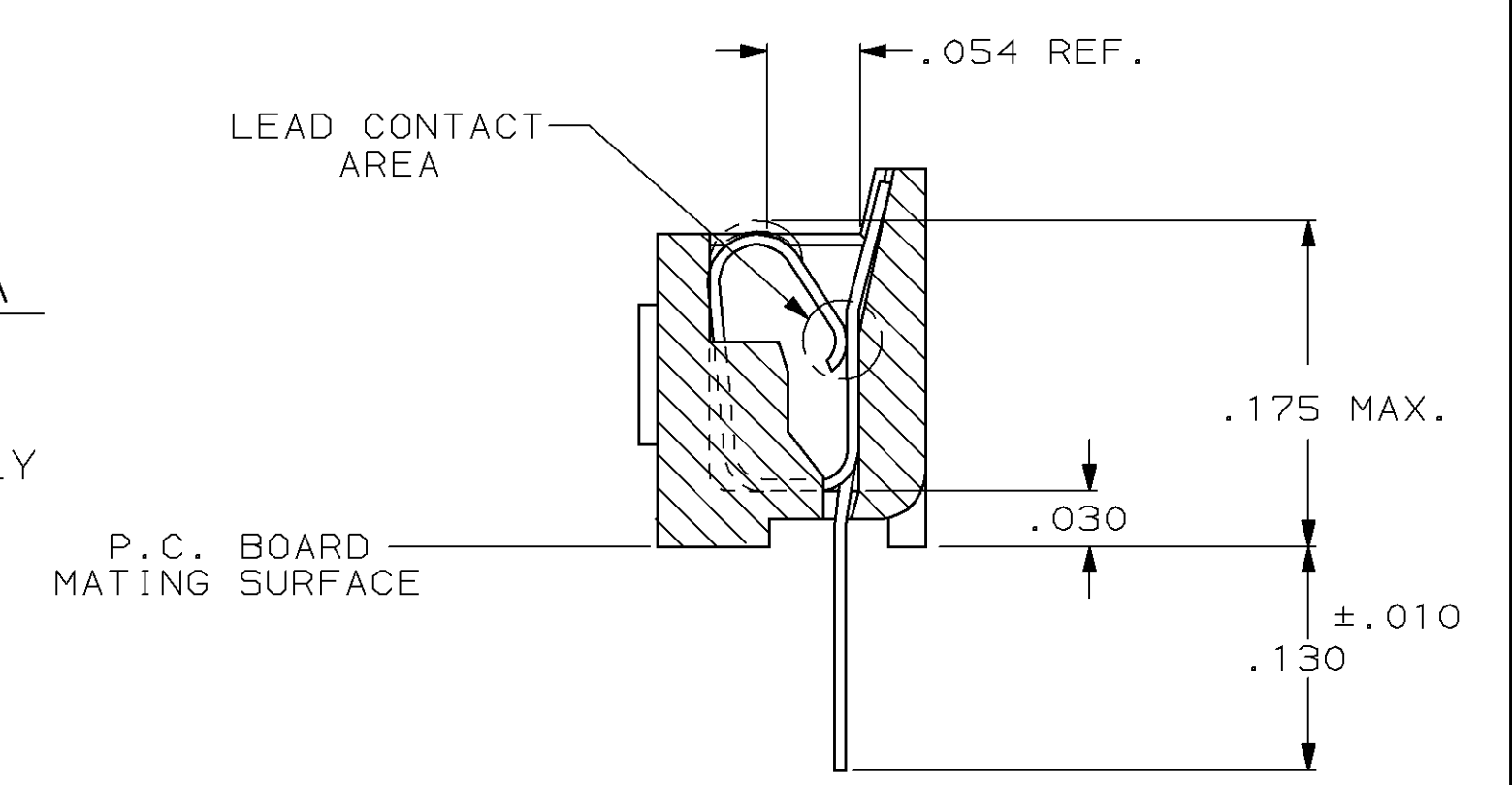
Address: A1208, Overseas Decoration Building, #122 Zhenhua RD., Futian, Shenzhen, China



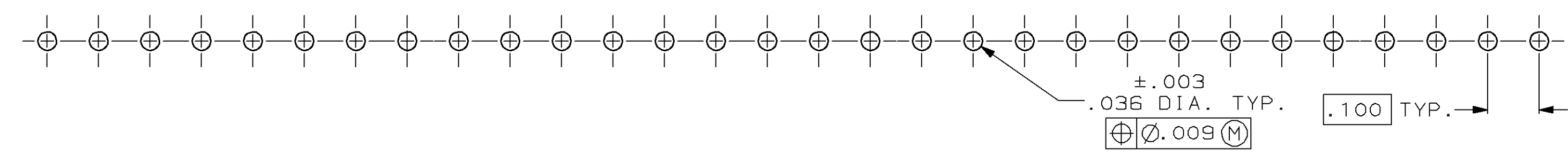
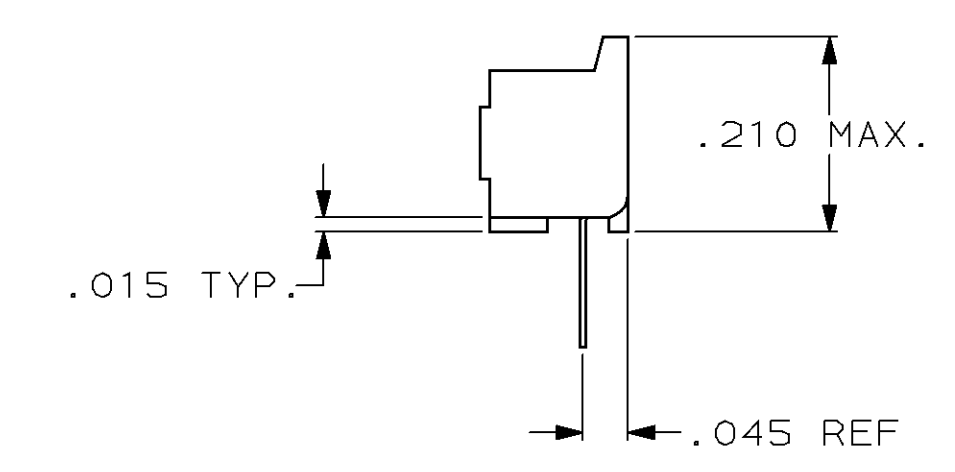
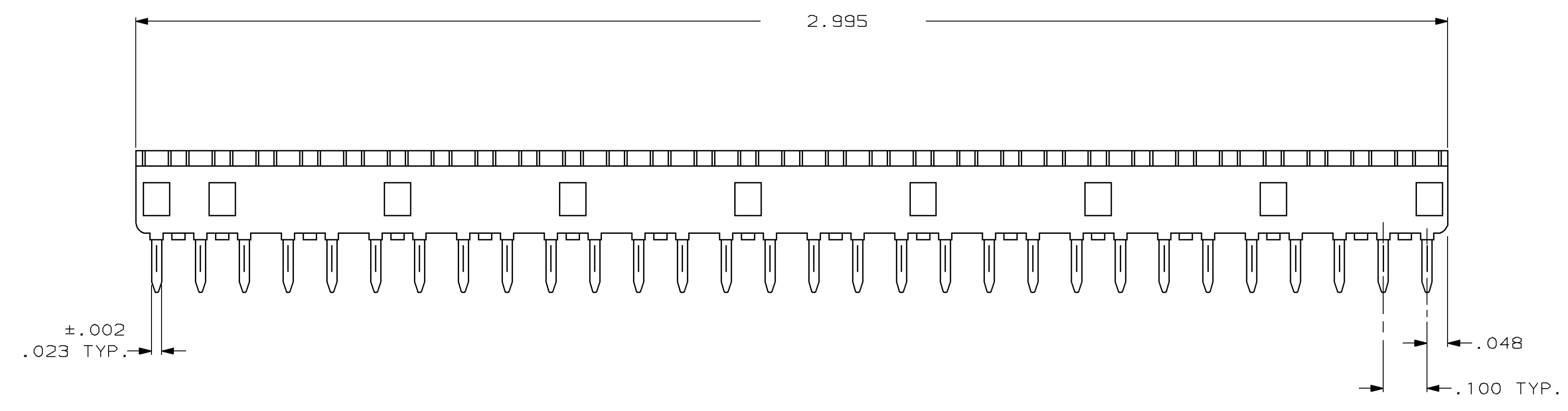
LOC	DIST	REVISIONS			
P	LTR	DESCRIPTION	DATE	OWN	APVD
H		REV PER EC 0320-138-97	12 MAY 97	MB	GJ
J		REV PER EC 0330-35-97	21 JUL 97	DH	GJ



SECTION A-A
 ROTATED 90° CW
 SCALE 10:1
 FOR -6, -7 & -8 ONLY



SECTION A-A
 ROTATED 90° CW
 SCALE 10:1
 FOR -1, -2 & -3 ONLY



RECOMMENDED MOUNTING HOLE PATTERN

OBSOLETE	TINNED	PHOS.BRZ.	GLASS-FILLED THERMOPLASTIC, 94V-0, BLACK	643662-8
OBSOLETE		BE.CU.	GLASS-FILLED THERMOPLASTIC, 94V-0, BLACK	643662-7
OBSOLETE	TINNED	BE.CU.	GLASS-FILLED THERMOPLASTIC, 94V-0, BLACK	643662-6
SUPSD BY 643662-2		PHOS.BRZ.	GLASS-FILLED THERMOPLASTIC, 94V-0, BLACK	643662-4
OBSOLETE	TINNED	PHOS.BRZ.	GLASS-FILLED THERMOPLASTIC, 94V-0, BLACK	643662-3
OBSOLETE		BE.CU.	GLASS-FILLED THERMOPLASTIC, 94V-0, BLACK	643662-2
OBSOLETE	TINNED	BE.CU.	GLASS-FILLED THERMOPLASTIC, 94V-0, BLACK	643662-1
CONTACT FINISH		CONTACT MAT'L	HOUSING MATERIAL	PART NO.

THIS DRAWING IS A CONTROLLED DOCUMENT.

DIMENSIONS INCHES	TOLERANCES UNLESS OTHERWISE SPECIFIED:	DWN M. CYRUS 6-11-84	AMP Incorporated Harrisburg, PA 17105-3608
0 PLC ±.005	1 PLC ±.005	CHK N. JONES 7-3-84	
2 PLC ±.005	3 PLC ±.005	APVD J. GRAY 7-10-84	
4 PLC ±.005	ANGLES ±1°	NAME	SOCKET ASSY, SIP, 30 POS, DIPLOMATE™ DL
MATERIAL SEE TABLE	FINISH SEE TABLE	PRODUCT SPEC 108-1066	SIZE CAGE CODE DRAWING NO RESTRICTED TO
		APPLICATION SPEC 114-1049	A1 00779 C-643662
		WEIGHT -	CUSTOMER DRAWING SCALE 5:1 SHEET 1 OF 1 REV J