



Chipsmall Limited consists of a professional team with an average of over 10 year of expertise in the distribution of electronic components. Based in Hongkong, we have already established firm and mutual-benefit business relationships with customers from,Europe,America and south Asia,supplying obsolete and hard-to-find components to meet their specific needs.

With the principle of “Quality Parts,Customers Priority,Honest Operation,and Considerate Service”,our business mainly focus on the distribution of electronic components. Line cards we deal with include Microchip,ALPS,ROHM,Xilinx,Pulse,ON,Everlight and Freescale. Main products comprise IC,Modules,Potentiometer,IC Socket,Relay,Connector.Our parts cover such applications as commercial,industrial, and automotives areas.

We are looking forward to setting up business relationship with you and hope to provide you with the best service and solution. Let us make a better world for our industry!



Contact us

Tel: +86-755-8981 8866 Fax: +86-755-8427 6832

Email & Skype: info@chipsmall.com Web: www.chipsmall.com

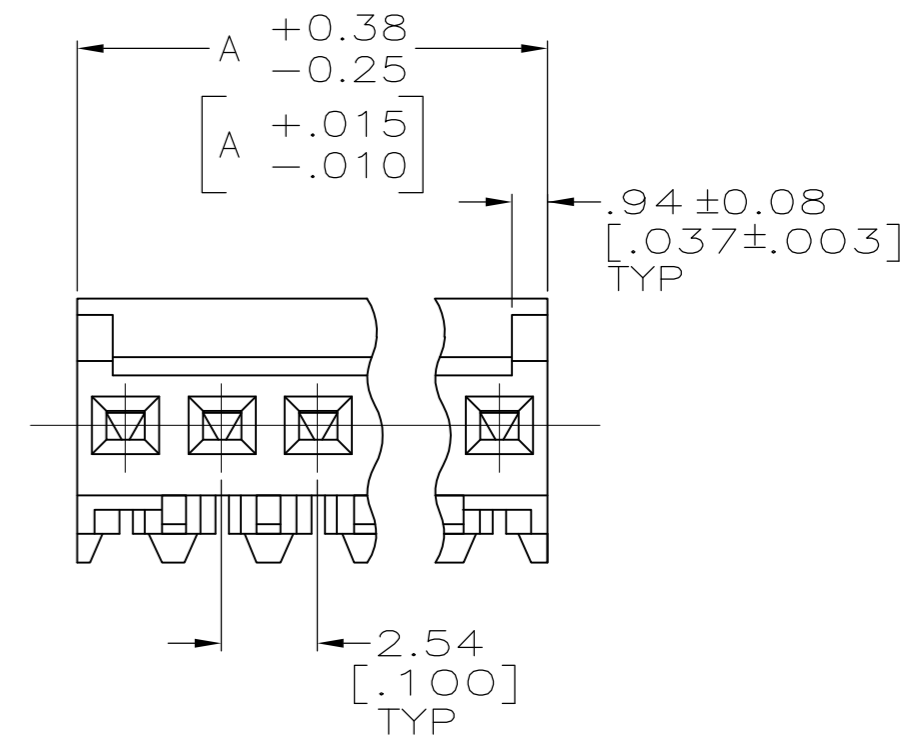
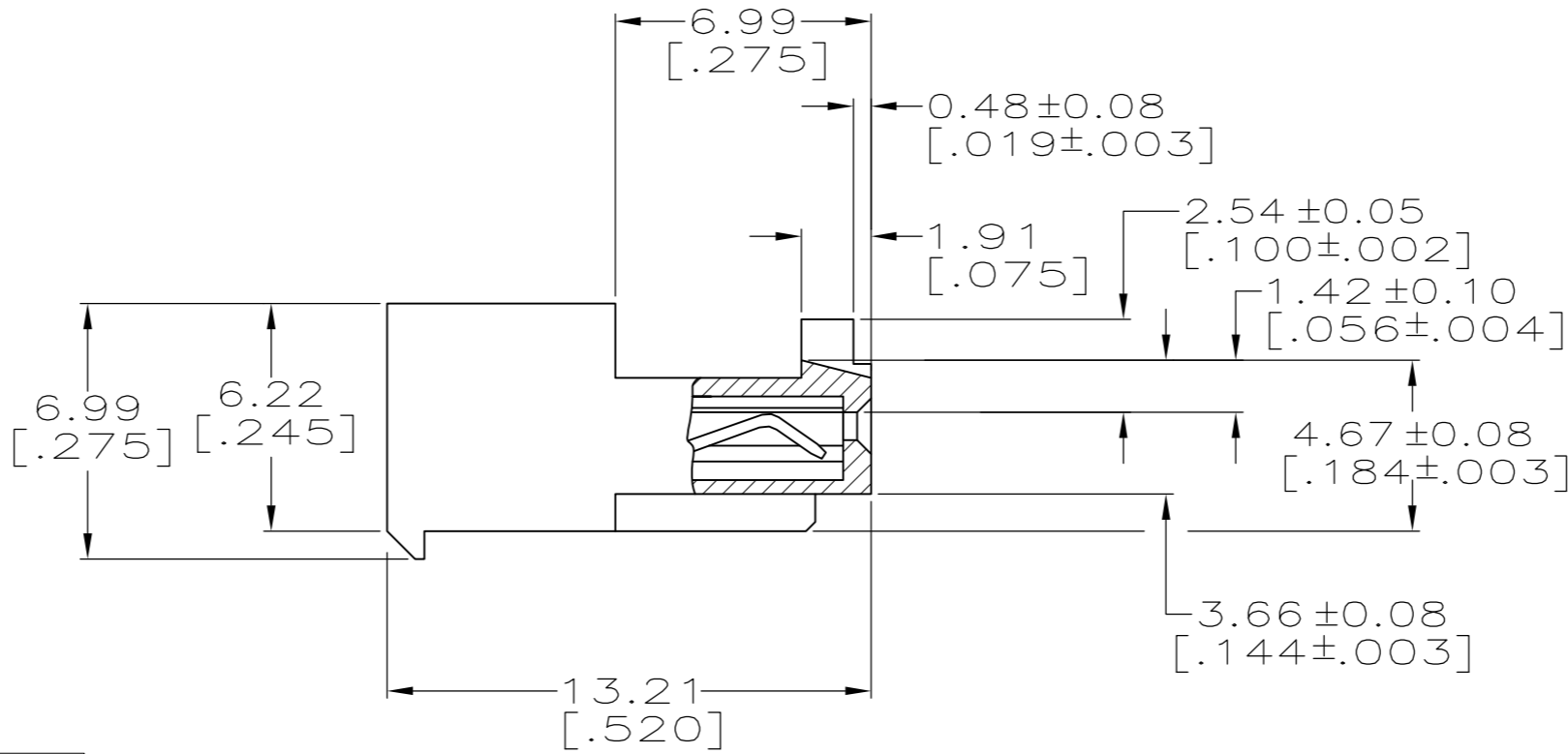
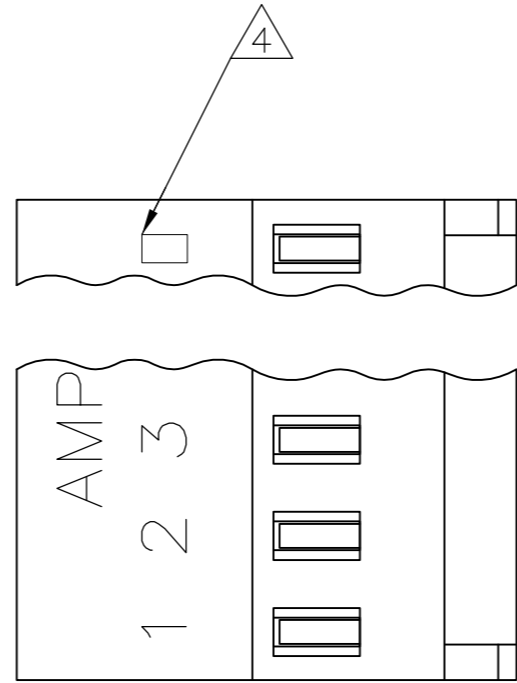
Address: A1208, Overseas Decoration Building, #122 Zhenhua RD., Futian, Shenzhen, China



THIS DRAWING IS UNPUBLISHED. RELEASED FOR PUBLICATION
 © COPYRIGHT - By - ALL RIGHTS RESERVED.

LOC		DIST		REVISIONS			
P	LTR	DESCRIPTION	DATE	DWN	APVD		
	J2	REVISED PER ECO-11-004587	11MAR11	RK	HMR		

YES	71.12[2.800]	28	5-643814-8
YES	68.58[2.700]	27	5-643814-7
YES	66.04[2.600]	26	5-643814-6
YES	63.50[2.500]	25	5-643814-5
YES	60.96[2.400]	24	5-643814-4
YES	58.42[2.300]	23	5-643814-3
YES	55.88[2.200]	22	5-643814-2
YES	53.34[2.100]	21	5-643814-1
YES	50.80[2.000]	20	5-643814-0
YES	48.26[1.900]	19	4-643814-9
YES	45.72[1.800]	18	4-643814-8
YES	43.18[1.700]	17	4-643814-7
YES	40.64[1.600]	16	4-643814-6
YES	38.10[1.500]	15	4-643814-5
YES	35.56[1.400]	14	4-643814-4
YES	33.02[1.300]	13	4-643814-3
YES	30.48[1.200]	12	4-643814-2
YES	27.94[1.100]	11	4-643814-1
YES	25.40[1.000]	10	4-643814-0
YES	22.86[.900]	9	3-643814-9
YES	20.32[.800]	8	3-643814-8
YES	17.78[.700]	7	3-643814-7
YES	15.24[.600]	6	3-643814-6
YES	12.70[.500]	5	3-643814-5
YES	10.16[.400]	4	3-643814-4
YES	7.62[.300]	3	3-643814-3
YES	5.08[.200]	2	3-643814-2



NO	71.12[2.800]	28	2-643814-8	SUPERSEDED BY 5-643814-8
NO	68.58[2.700]	27	2-643814-7	SUPERSEDED BY 5-643814-7
NO	66.04[2.600]	26	2-643814-6	SUPERSEDED BY 5-643814-6
NO	63.50[2.500]	25	2-643814-5	
NO	60.96[2.400]	24	2-643814-4	SUPERSEDED BY 5-643814-4
NO	58.42[2.300]	23	2-643814-3	SUPERSEDED BY 5-643814-3
NO	55.88[2.200]	22	2-643814-2	SUPERSEDED BY 5-643814-2
NO	53.34[2.100]	21	2-643814-1	SUPERSEDED BY 5-643814-1
NO	50.80[2.000]	20	2-643814-0	
NO	48.26[1.900]	19	1-643814-9	SUPERSEDED BY 4-643814-9
NO	45.72[1.800]	18	1-643814-8	
NO	43.18[1.700]	17	1-643814-7	SUPERSEDED BY 4-643814-7
NO	40.64[1.600]	16	1-643814-6	
NO	38.10[1.500]	15	1-643814-5	
NO	35.56[1.400]	14	1-643814-4	
NO	33.02[1.300]	13	1-643814-3	
NO	30.48[1.200]	12	1-643814-2	
NO	27.94[1.100]	11	1-643814-1	
NO	25.40[1.000]	10	1-643814-0	
NO	22.86[.900]	9	643814-9	
NO	20.32[.800]	8	643814-8	
NO	17.78[.700]	7	643814-7	
NO	15.24[.600]	6	643814-6	
NO	12.70[.500]	5	643814-5	
NO	10.16[.400]	4	643814-4	
NO	7.62[.300]	3	643814-3	
NO	5.08[.200]	2	643814-2	

△ SUPERSEDED BY 5-643814-8
 △ SUPERSEDED BY 5-643814-7
 △ SUPERSEDED BY 5-643814-6
 △ SUPERSEDED BY 5-643814-4
 △ SUPERSEDED BY 5-643814-3
 △ SUPERSEDED BY 5-643814-2
 △ SUPERSEDED BY 5-643814-1
 △ SUPERSEDED BY 4-643814-9
 △ SUPERSEDED BY 4-643814-7

- △ 1. MATERIAL: CONNECTOR - NYLON UL94V-2 (WHITE).
 CONTACTS - 0.30[.012] THICK COPPER ALLOY
 BRIGHT TIN-LEAD .00203[.000080] MIN THICKNESS
 FOR 643814-2 THRU 2-643814-8.
 MATTE WHISKER MITIGATED TIN .00203[.000080] MIN THICKNESS
 OVER NICKEL UNDERPLATE FOR 3-643814-2 THRU 5-643814-8.
- 2. CONTACTS ACCEPT 24 AWG WIRE WITH 1.52[.060] MAX INSULATION DIAMETER.
- 3. CONTACTS MUST ACCEPT 0.64±0.03[.025] POST AND REMAIN LOCKED IN POSITION.
- △ 4. IDENTIFICATION NUMBER FOR LAST CIRCUIT MAY NOT APPEAR ON ALL ASSEMBLIES.
- 5. DIMENSIONS IN BRACKETS ARE IN INCHES.
- 6. HOUSING FEATURES ARE: CLOSED END WITH LOCKING RAMP AND WITH POLARIZING TAB.
- △ OBSOLETE PARTS: OBSOLETE CIS STREAMLINING PER D.RENAUD/D.SINISI

METRIC

THIS DRAWING IS A CONTROLLED DOCUMENT.		DWN S. CARPENTER 11JUN2003		
DIMENSIONS: mm [INCHES]		CHK D. BOSSI 11JUN2003		
TOLERANCES UNLESS OTHERWISE SPECIFIED:		APVD D. BOSSI 11JUN2003	NAME	
0 PLC ±		MTA-100 CONNECTOR ASSEMBLY, 24 AWG, STANDARD		
1 PLC ±		APPLICATION SPEC		
2 PLC ±		108-1050		
3 PLC ± 0.13 [.005]		114-1019		
4 PLC ±		SIZE		
ANGLES ±		CAGE CODE		
FINISH △ 1		DRAWING NO		
MATERIAL △ 1		RESTRICTED TO		
		A2 00779 C=643814		
		CUSTOMER DRAWING		
		SCALE 5:1 SHEET 1 OF 1 REV J2		