



Chipsmall Limited consists of a professional team with an average of over 10 year of expertise in the distribution of electronic components. Based in Hongkong, we have already established firm and mutual-benefit business relationships with customers from,Europe,America and south Asia,supplying obsolete and hard-to-find components to meet their specific needs.

With the principle of “Quality Parts,Customers Priority,Honest Operation,and Considerate Service”,our business mainly focus on the distribution of electronic components. Line cards we deal with include Microchip,ALPS,ROHM,Xilinx,Pulse,ON,Everlight and Freescale. Main products comprise IC,Modules,Potentiometer,IC Socket,Relay,Connector.Our parts cover such applications as commercial,industrial, and automotives areas.

We are looking forward to setting up business relationship with you and hope to provide you with the best service and solution. Let us make a better world for our industry!



## Contact us

Tel: +86-755-8981 8866 Fax: +86-755-8427 6832

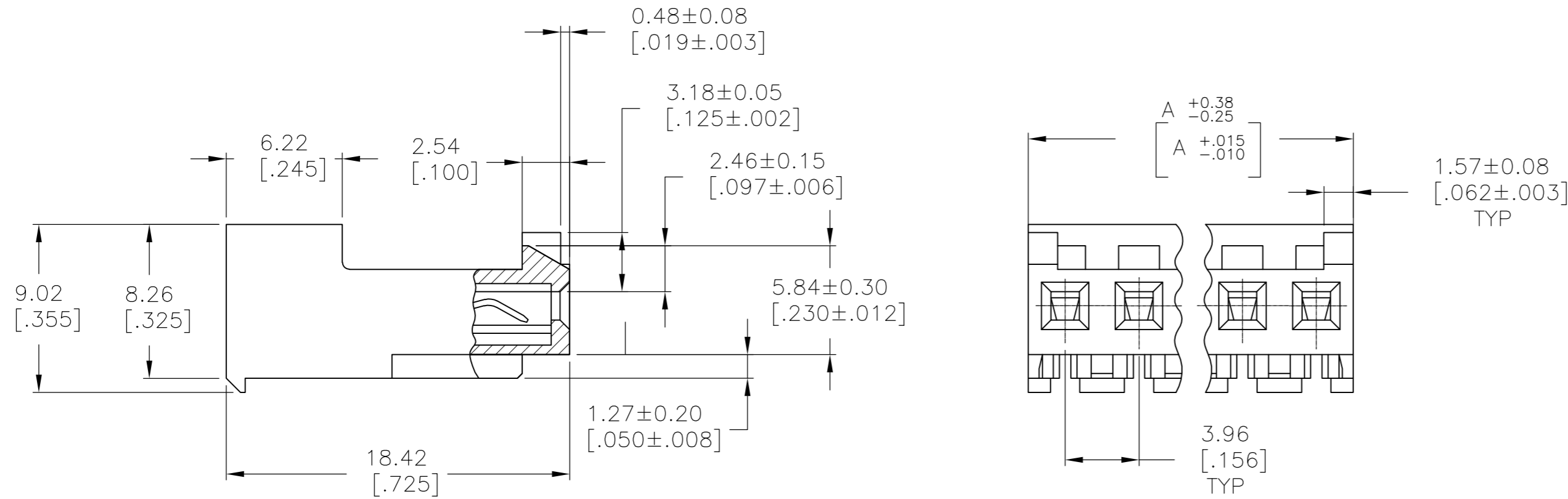
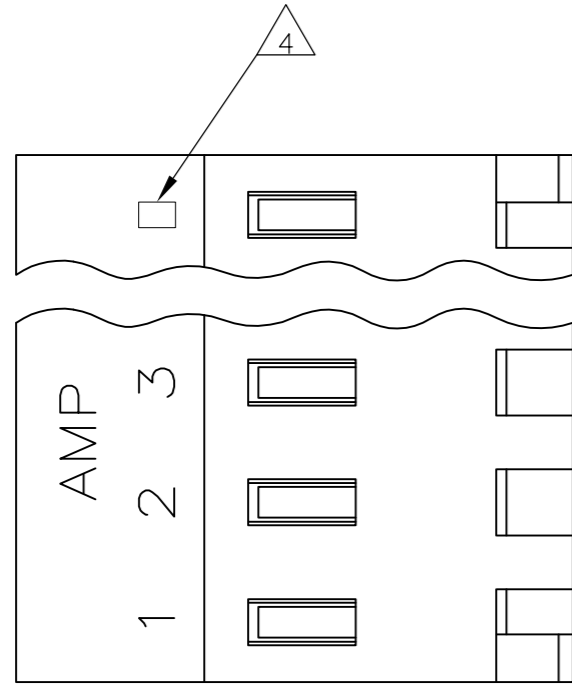
Email & Skype: info@chipsmall.com Web: www.chipsmall.com

Address: A1208, Overseas Decoration Building, #122 Zhenhua RD., Futian, Shenzhen, China



THIS DRAWING IS UNPUBLISHED. RELEASED FOR PUBLICATION  
 © COPYRIGHT - By - ALL RIGHTS RESERVED.

LOC	DIST	REVISIONS					
CM	00	P	LTR	DESCRIPTION	DATE	DWN	APVD
		H4		REVISED PER ECO-11-014117	14JUL11	HMR	SM



1 MATERIAL: CONNECTOR - NYLON UL94-V2 (WHITE)  
 CONTACTS - 0.30[.012] THICK COPPER ALLOY  
 (BRIGHT TIN-LEAD 0.00203[.000080] MIN. THICK  
 FOR CONTACTS 643820-2 THRU 2-643820-4).  
 (MATTE WHISKER MITIGATED TIN 0.00203[.000080] MIN.  
 THICKNESS OVER NICKEL UNDERPLATE FOR  
 3-643820-2 THRU 5-643820-4).

2. CONTACTS ACCEPT 24 AWG WIRE WITH 2.41[.095] MAX INSULATION DIAMETER.

3. CONTACTS MUST ACCEPT 1.14±0.03[.045±.001] POST AND REMAIN LOCKED IN POSITION.

4 IDENTIFICATION NUMBER FOR LAST CIRCUIT MAY NOT APPEAR ON ALL ASSEMBLIES.

5. DIMENSIONS IN BRACKETS ARE IN INCHES.

6. HOUSING FEATURES ARE: CLOSED END WITH LOCKING RAMP AND POLARIZING TAB.

7 OBSOLETE PARTS: OBSOLETE CIS STREAMLINING PER D.RENAUD/D.SINISI

95.10[3.744]	24	5-643820-4	
91.13[3.588]	23	5-643820-3	
87.17[3.432]	22	5-643820-2	
83.21[3.276]	21	5-643820-1	
79.25[3.120]	20	5-643820-0	
75.29[2.964]	19	4-643820-9	
71.32[2.808]	18	4-643820-8	
67.36[2.652]	17	4-643820-7	
63.40[2.496]	16	4-643820-6	
59.44[2.340]	15	4-643820-5	
55.47[2.184]	14	4-643820-4	
51.51[2.028]	13	4-643820-3	
47.55[1.872]	12	4-643820-2	
43.59[1.716]	11	4-643820-1	
39.62[1.560]	10	4-643820-0	
35.66[1.404]	9	3-643820-9	
31.70[1.248]	8	3-643820-8	
27.74[1.092]	7	3-643820-7	
23.77[.936]	6	3-643820-6	
19.81[.780]	5	3-643820-5	
15.85[.624]	4	3-643820-4	
11.89[.468]	3	3-643820-3	
7.92[.312]	2	3-643820-2	
△ SUPERSEDED BY 5-643820-4	95.10[3.744]	24	2-643820-4
△ SUPERSEDED BY 5-643820-3	91.13[3.588]	23	2-643820-3
△ SUPERSEDED BY 5-643820-2	87.17[3.432]	22	2-643820-2
△ SUPERSEDED BY 5-643820-1	83.21[3.276]	21	2-643820-1
△ SUPERSEDED BY 5-643820-0	79.25[3.120]	20	2-643820-0
△ SUPERSEDED BY 4-643820-9	75.29[2.964]	19	1-643820-9
△ SUPERSEDED BY 4-643820-8	71.32[2.808]	18	1-643820-8
△ SUPERSEDED BY 4-643820-7	67.36[2.652]	17	1-643820-7
△ SUPERSEDED BY 4-643820-6	63.40[2.496]	16	1-643820-6
△ SUPERSEDED BY 4-643820-5	59.44[2.340]	15	1-643820-5
△ SUPERSEDED BY 4-643820-4	55.47[2.184]	14	1-643820-4
△ SUPERSEDED BY 4-643820-3	51.51[2.028]	13	1-643820-3
△ SUPERSEDED BY 4-643820-2	47.55[1.872]	12	1-643820-2
△ SUPERSEDED BY 4-643820-1	43.59[1.716]	11	1-643820-1
△ OBSOLETE	39.62[1.560]	10	1-643820-0
△ SUPERSEDED BY 3-643820-9	35.66[1.404]	9	643820-9
	31.70[1.248]	8	643820-8
	27.74[1.092]	7	643820-7
	23.77[.936]	6	643820-6
	19.81[.780]	5	643820-5
	15.85[.624]	4	643820-4
	11.89[.468]	3	643820-3
	7.92[.312]	2	643820-2
	DIM A	NO. OF CIRCUITS	PART NO.



THIS DRAWING IS A CONTROLLED DOCUMENT.		DWN S. CARPENTER 09JUL2003		
DIMENSIONS: mm [INCHES]		CHK D. BOSSI 09JUL2003		
TOLERANCES UNLESS OTHERWISE SPECIFIED:		APVD D. BOSSI 09JUL2003	NAME	
0 PLC ± -	1 PLC ± -	PRODUCT SPEC	MTA 156 CONNECTOR ASSEMBLY, 24 AWG, STANDARD	
2 PLC ± -	3 PLC ± 0.13 [.005]	APPLICATION SPEC	SIZE	CAGE CODE
4 PLC ± -	ANGLES ± -	FINISH	A2	00779
MATERIAL		WEIGHT	DRAWING NO	RESTRICTED TO
1		-	C=643820	-
1		CUSTOMER DRAWING	SCALE	SHEET
			4:1	1 OF 1
				REV H4