



Chipsmall Limited consists of a professional team with an average of over 10 year of expertise in the distribution of electronic components. Based in Hongkong, we have already established firm and mutual-benefit business relationships with customers from,Europe,America and south Asia,supplying obsolete and hard-to-find components to meet their specific needs.

With the principle of “Quality Parts,Customers Priority,Honest Operation,and Considerate Service”,our business mainly focus on the distribution of electronic components. Line cards we deal with include Microchip,ALPS,ROHM,Xilinx,Pulse,ON,Everlight and Freescale. Main products comprise IC,Modules,Potentiometer,IC Socket,Relay,Connector.Our parts cover such applications as commercial,industrial, and automotives areas.

We are looking forward to setting up business relationship with you and hope to provide you with the best service and solution. Let us make a better world for our industry!



## Contact us

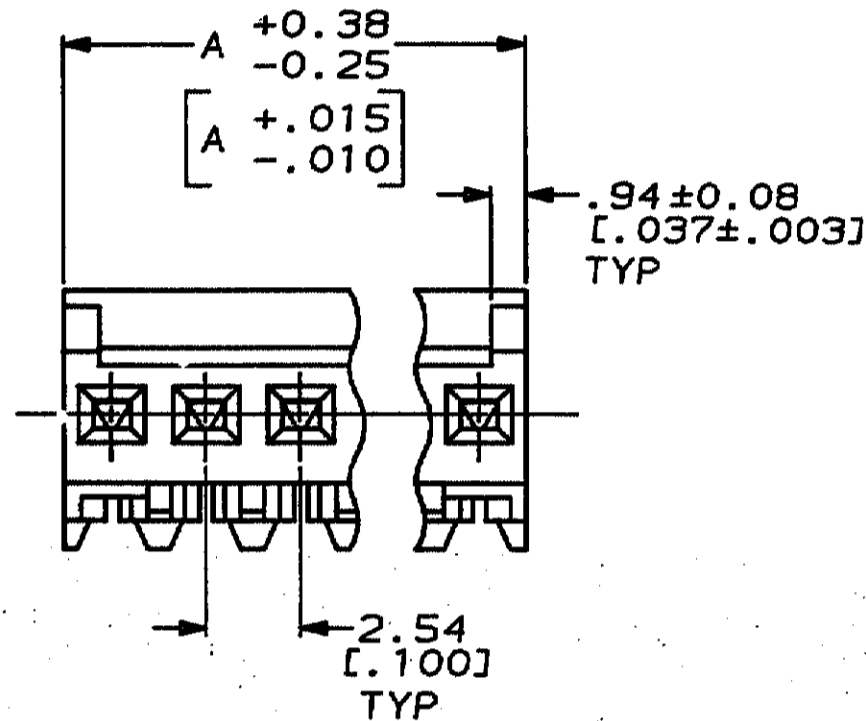
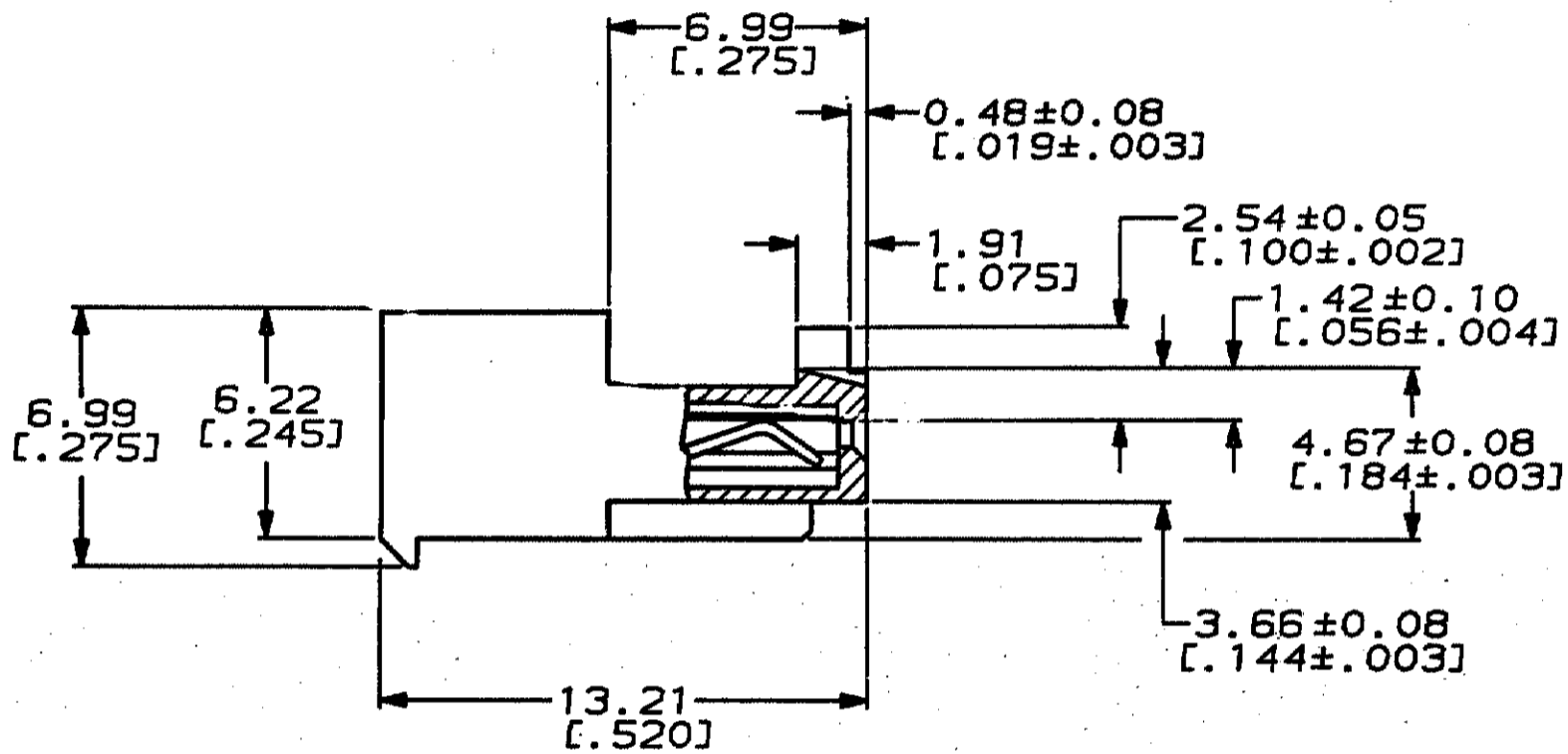
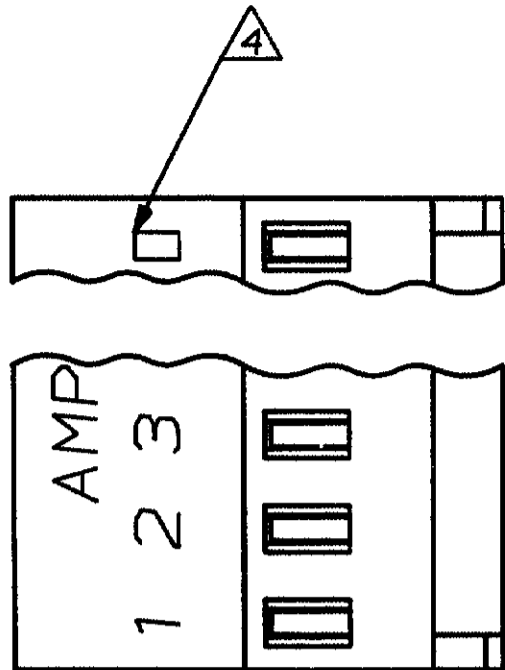
Tel: +86-755-8981 8866 Fax: +86-755-8427 6832

Email & Skype: info@chipsmall.com Web: www.chipsmall.com

Address: A1208, Overseas Decoration Building, #122 Zhenhua RD., Futian, Shenzhen, China



LOC	DIST	P	F	ZONE	LTR	DESCRIPTION	DATE	APPD
CM	54	✓			A	RLSD DASH # 2 THRU 1--3 PER PR CM 92-1	1-7-92	DS RS



DIM A	NO OF CIRCUITS	PART NO
35.56 [1.400]	14	1-644043-4
33.02 [1.300]	13	1-644043-3
30.48 [1.200]	12	1-644043-2
27.94 [1.100]	11	1-644043-1
25.40 [1.000]	10	1-644043-0
22.86 [.900]	9	644043-9
20.32 [.800]	8	644043-8
17.78 [.700]	7	644043-7
15.24 [.600]	6	644043-6
12.70 [.500]	5	644043-5
10.16 [.400]	4	644043-4
7.62 [.300]	3	644043-3
5.08 [.200]	2	644043-2

- 1 MATERIAL: CONNECTOR - NYLON UL94V-2 (BLUE).  
CONTACTS - 0.30 [.012] THICK COPPER ALLOY  
(0.00076 [.000030] GOLD)
- 2. CONTACTS ACCEPT 26 AWG WIRE WITH 1.52 [.060] MAX INSULATION DIAMETER.
- 3. CONTACTS MUST ACCEPT 0.64±0.03 [.025 ±.001] SQUARE POST AND REMAIN LOCKED IN POSITION.
- 4 IDENTIFICATION NUMBER FOR LAST CIRCUIT MAY NOT APPEAR ON ALL ASSEMBLIES.
- 5. DIMENSIONS IN BRACKETS ARE IN INCHES.
- 6. HOUSING FEATURES ARE, CLOSED END WITH LOCKING RAMP AND WITH POLARIZING TAB.

DO NOT SCALE PRINT. UNLESS SPECIFIED DIMENSIONS IN mm [INCHES] TOLERANCES ON: 2 PLC DEC ± - 3 PLC DEC ± 0.13 [.005] ANGLES ± -	DR B. LEWIS 5-17-91	AMP AMP Incorporated Harrisburg, PA 17105-3608
	CHK R. SWING 5-17-91	
MATERIAL 1	APPD G. MILLER 5-20-91	NAME MTA 100 CONNECTOR ASSEMBLY, 26 AWG, STANDARD
	PRODUCT SPEC 108-1050	
FINISH 1	APPLICATION SPEC 114-1019	SIZE C
	WEIGHT	CAGE CODE 00779
		DRAWING NO 644043
		SCALE 5:1
		SHEET 1 OF 1

