



Chipsmall Limited consists of a professional team with an average of over 10 year of expertise in the distribution of electronic components. Based in Hongkong, we have already established firm and mutual-benefit business relationships with customers from,Europe,America and south Asia,supplying obsolete and hard-to-find components to meet their specific needs.

With the principle of "Quality Parts,Customers Priority,Honest Operation,and Considerate Service",our business mainly focus on the distribution of electronic components. Line cards we deal with include Microchip,ALPS,ROHM,Xilinx,Pulse,ON,Everlight and Freescale. Main products comprise IC,Modules,Potentiometer,IC Socket,Relay,Connector.Our parts cover such applications as commercial,industrial, and automotives areas.

We are looking forward to setting up business relationship with you and hope to provide you with the best service and solution. Let us make a better world for our industry!



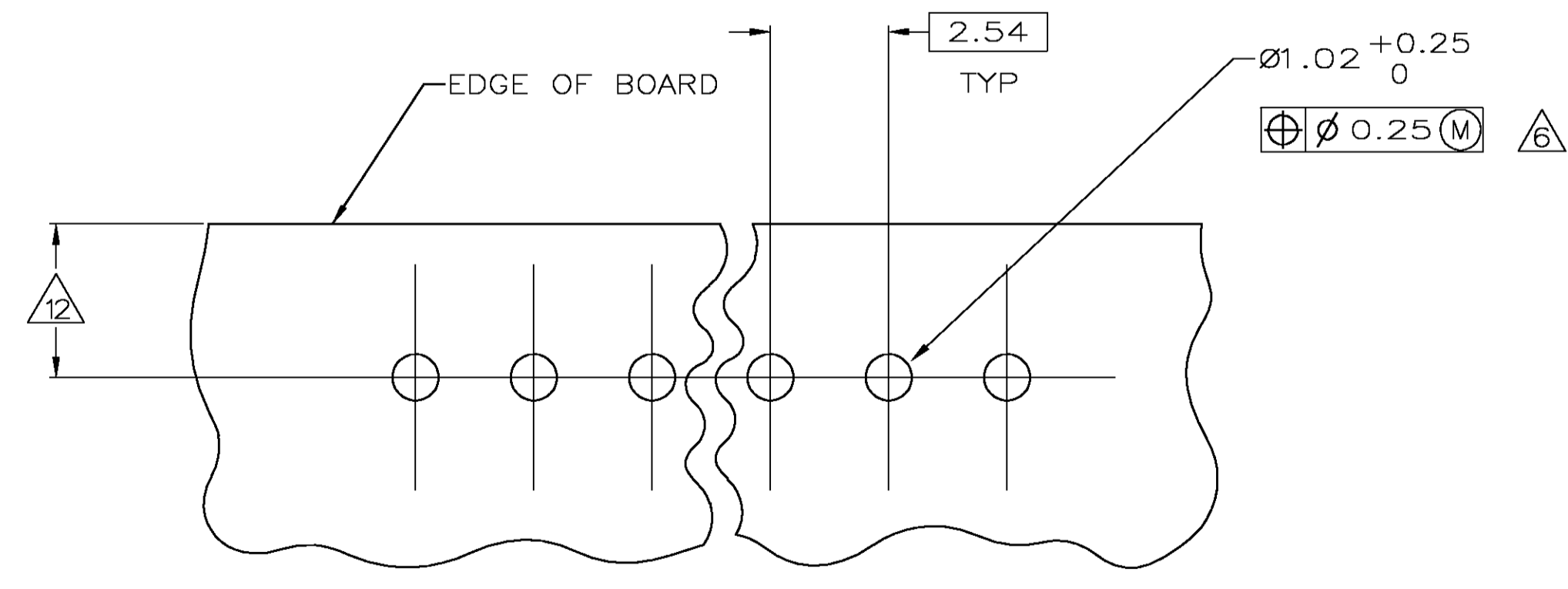
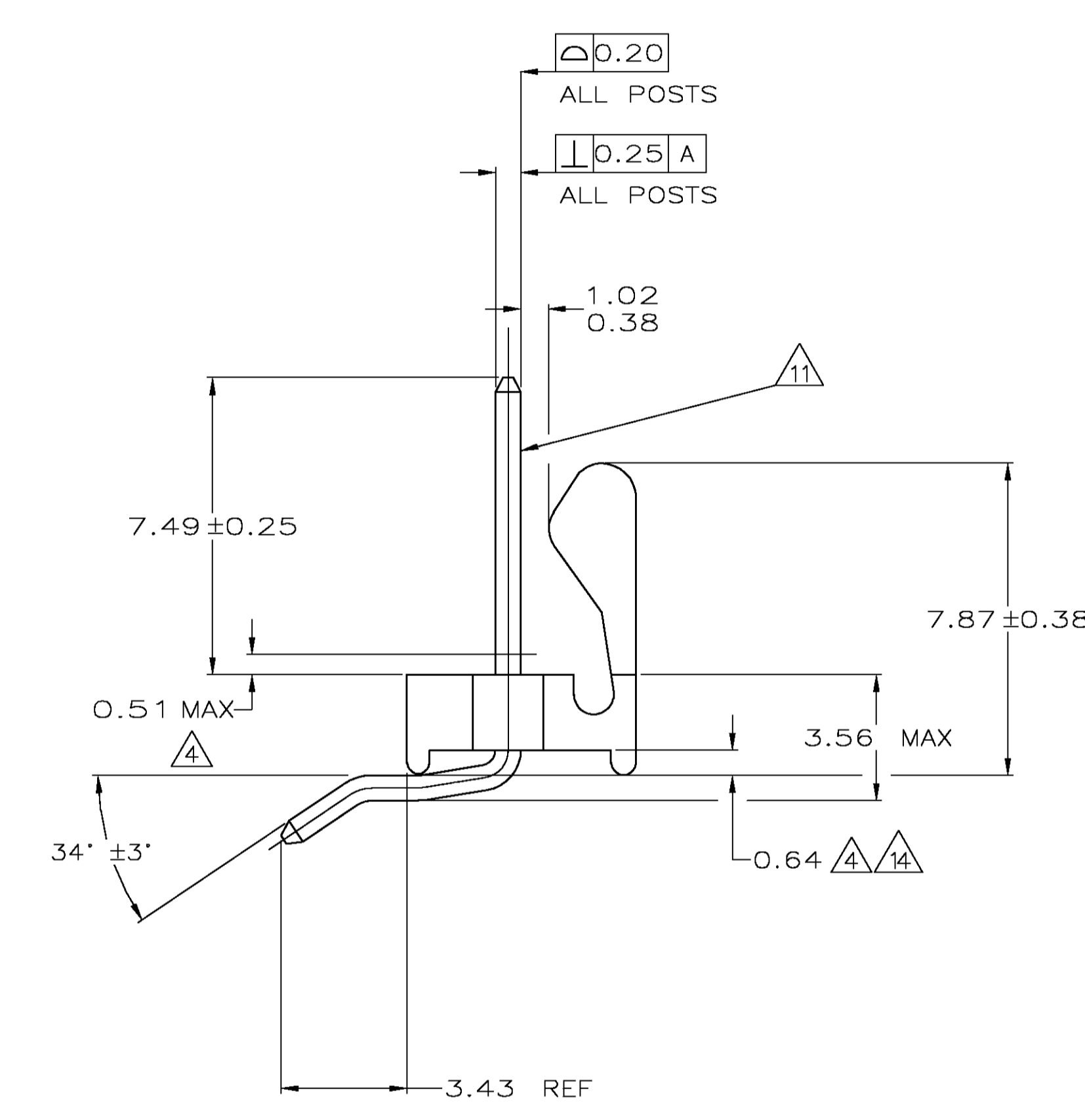
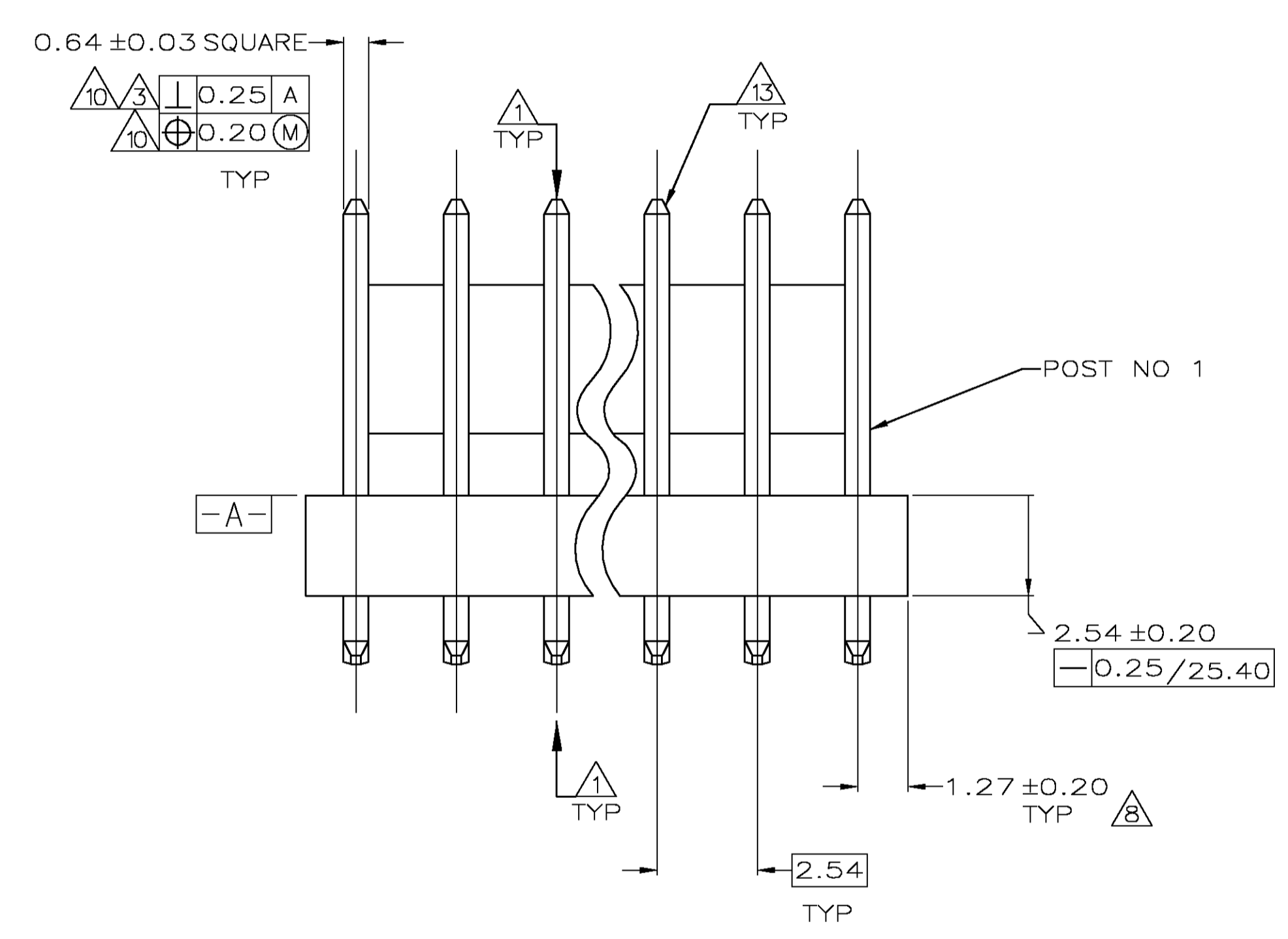
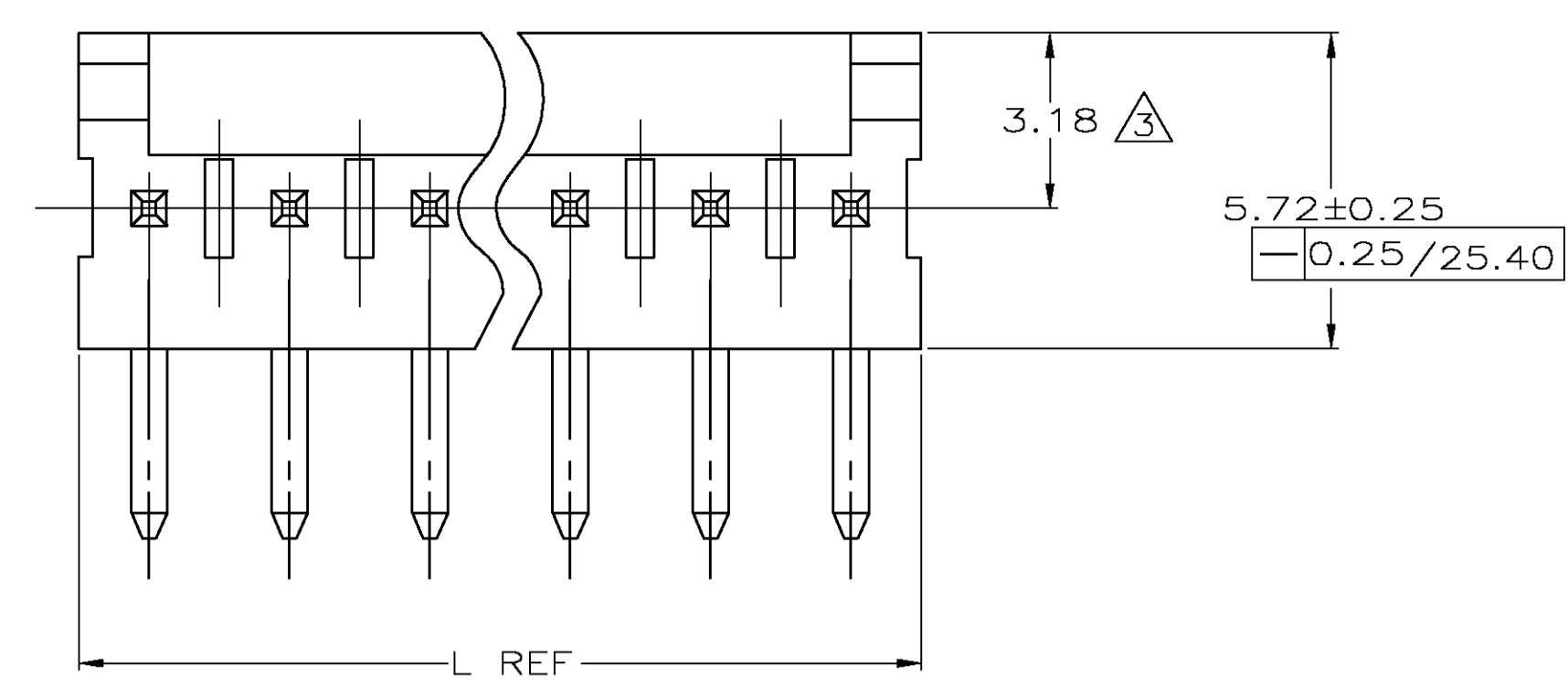
## Contact us

Tel: +86-755-8981 8866 Fax: +86-755-8427 6832

Email & Skype: info@chipsmall.com Web: www.chipsmall.com

Address: A1208, Overseas Decoration Building, #122 Zhenhua RD., Futian, Shenzhen, China





RECOMMENDED MOUNTING HOLE PATTERN FOR 1.60 THICK P.C. BOARD

0.64	.025	3.05	.120	25.40	1.000
0.51	.020	2.79	.110	7.87	.310
0.38	.015	2.54	.100	7.49	.295
0.25	.010	1.60	.063	5.72	.225
0.20	.008	1.27	.050	4.06	.160
0.13	.005	1.02	.040	3.56	.140
0.08	.003	0.89	.035	3.43	.135
0.03	.001	0.81	.032	3.18	.125
MM	IN	MM	IN	MM	IN

CONVERSION TABLE

- 1. POST TO WITHSTAND 13 NEWTONS (3 LBS) MIN. AXIAL FORCE IN BOTH DIRECTIONS SHOWN WITHOUT DISLODGING.
- 2. TOLERANCES APPLY TO SOLDER SIDE OF BOARD.
- 3. MEASURED AT SURFACE -A-
- 4. PLASTIC FLASH PERMITTED IN THIS AREA.
- 5. PARTS COMPLY WITH AMP SOLDERABILITY SPEC. NO. 109-11-2.
- 6. ONE HOLE MAY BE UNDERSIZED (0.81-0.89 DIA) FOR ASSEMBLY RETENTION DURING WAVE SOLDERING.
- 7. MATERIAL: HEADER-THERMOPLASTIC POLYESTER UL94V-0(NATURAL) POST-COPPER ALLOY (TIN-PLATED)
- 8. COORDINATE DIMENSION APPLIES FROM CENTER OF ACTUAL FEATURE.
- 9. PLASTIC BURRS CAUSED BY CUT-OFF TOOLING ARE PERMITTED WITHIN THE MAXIMUM TOLERANCE ENVELOPE.
- 10. POSTS TO BE MEASURED WHEN STRIP IS HELD FLAT.
- 11. POSTS MUST WITHSTAND TWO 90° BENDS AGAINST EXTRUSION WITHOUT BREAKING.
- 12. DIMENSION SHOULD BE 2.79 - 4.06 WHEN MATING WITH A MTA 100 CONNECTOR ASSEMBLY OR 2.79 - 3.05 WHEN MATING WITH A CST 100 CONNECTOR.
- 13. PIN BURR OF 0.13 MAX. VERTICAL AND 0.08 MAX. HORIZONTAL PERMITTED AT POST TIPS ON BOTH ENDS.
- 14. PLASTIC DEFORMATION ALLOWED IN THIS AREA ONLY.

71.12	2.800	28	2-644875-8
68.58	2.700	27	2-644875-7
66.04	2.600	26	2-644875-6
63.50	2.500	25	2-644875-5
60.96	2.400	24	2-644875-4
58.42	2.300	23	2-644875-3
55.88	2.200	22	2-644875-2
53.34	2.100	21	2-644875-1
50.80	2.000	20	2-644875-0
48.26	1.900	19	1-644875-9
45.72	1.800	18	1-644875-8
43.18	1.700	17	1-644875-7
40.64	1.600	16	1-644875-6
38.10	1.500	15	1-644875-5
35.56	1.400	14	1-644875-4
33.02	1.300	13	1-644875-3
30.48	1.200	12	1-644875-2
27.94	1.100	11	1-644875-1
25.40	1.000	10	1-644875-0
22.86	.900	9	644875-9
20.32	.800	8	644875-8
17.78	.700	7	644875-7
15.24	.600	6	644875-6
12.70	.500	5	644875-5
10.16	.400	4	644875-4
7.62	.300	3	644875-3
5.08	.200	2	644875-2
MM	INCH	NO OF POSN	PART NUMBER
L			



THIS DRAWING IS A CONTROLLED DOCUMENT.

DRAWN: K. WHITAKER	DATE: 21-JAN-04	TYCO ELECTRONICS
CHECKED: D. BOSSI	DATE: 21-JAN-04	TYCO ELECTRONICS
APPROVED: D. BOSSI	DATE: 21-JAN-04	TYCO ELECTRONICS

TYCO ELECTRONICS CORPORATION  
 HARRISBURG, PA 17105-3608

MTA-100 HEADER ASSEMBLY, FRICTION LOCK, NOTCHED, SQ. POST, ANTI-TIP, TIN PLATED

SIZE: A1  
 CASE CODE: 00779  
 DRAWING NO: 644875

CUSTOMER DRAWING  
 SCALE: 8:1  
 SHEET: 1 OF 1  
 REV: D