



Chipsmall Limited consists of a professional team with an average of over 10 year of expertise in the distribution of electronic components. Based in Hongkong, we have already established firm and mutual-benefit business relationships with customers from,Europe,America and south Asia,supplying obsolete and hard-to-find components to meet their specific needs.

With the principle of “Quality Parts,Customers Priority,Honest Operation,and Considerate Service”,our business mainly focus on the distribution of electronic components. Line cards we deal with include Microchip,ALPS,ROHM,Xilinx,Pulse,ON,Everlight and Freescale. Main products comprise IC,Modules,Potentiometer,IC Socket,Relay,Connector.Our parts cover such applications as commercial,industrial, and automotives areas.

We are looking forward to setting up business relationship with you and hope to provide you with the best service and solution. Let us make a better world for our industry!



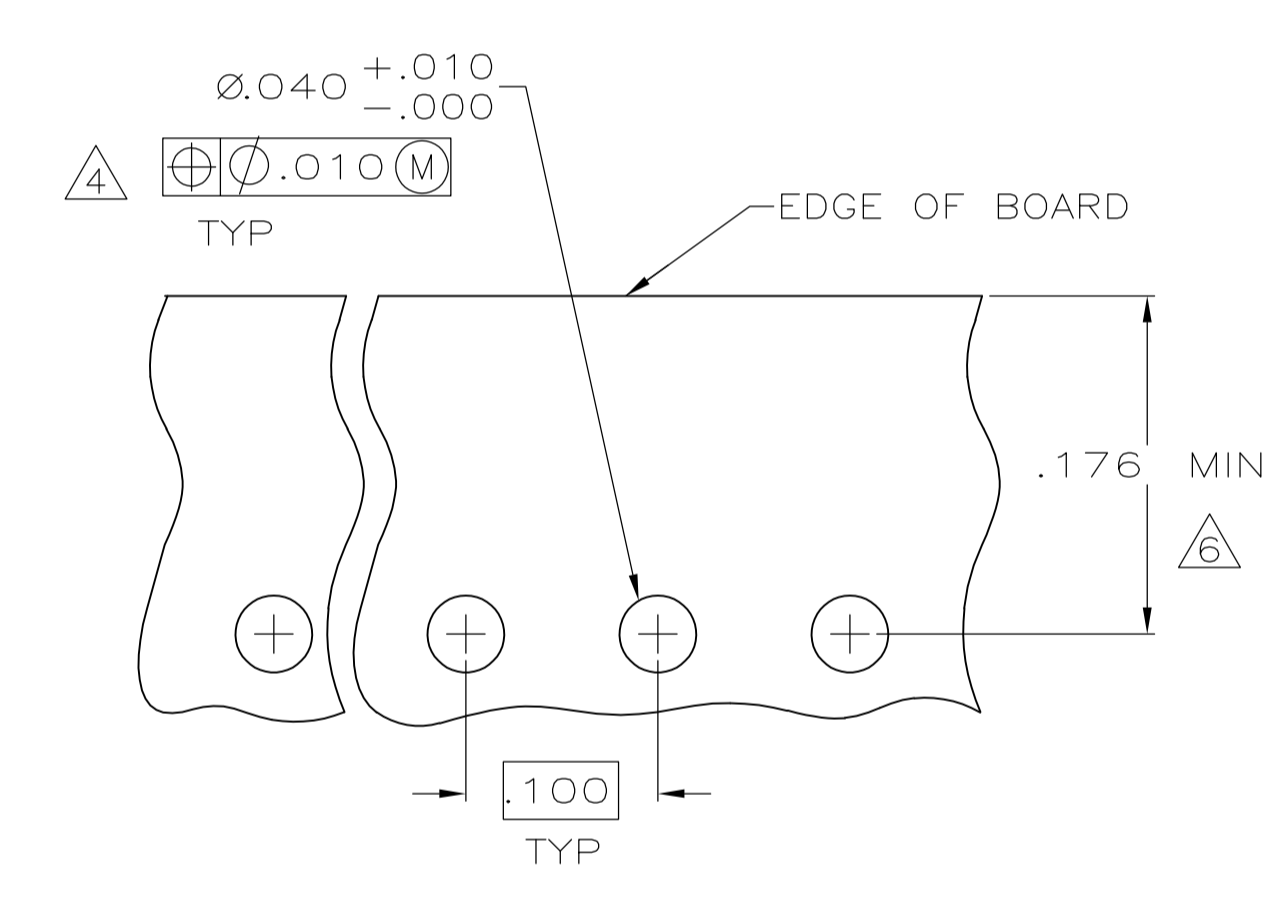
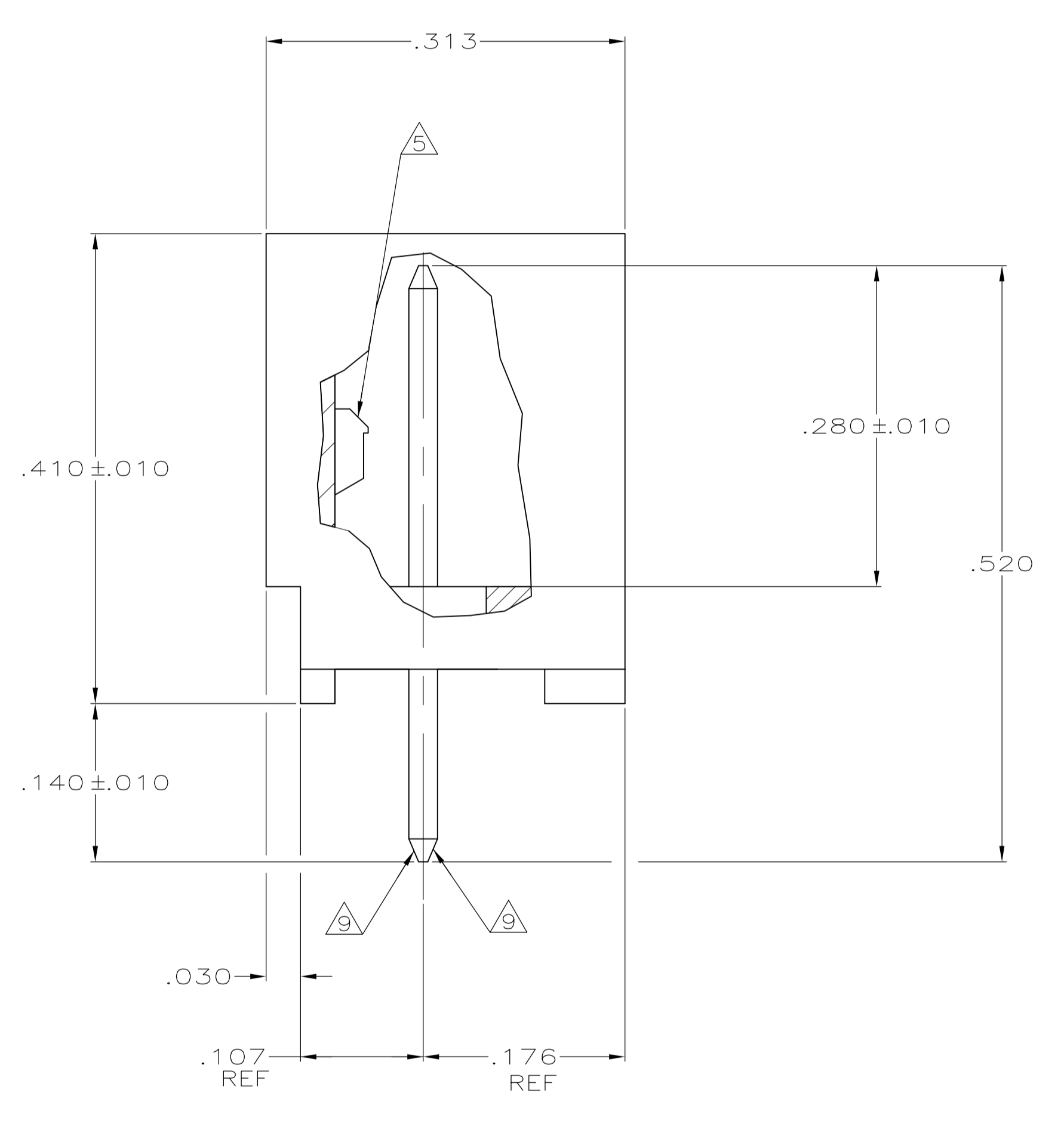
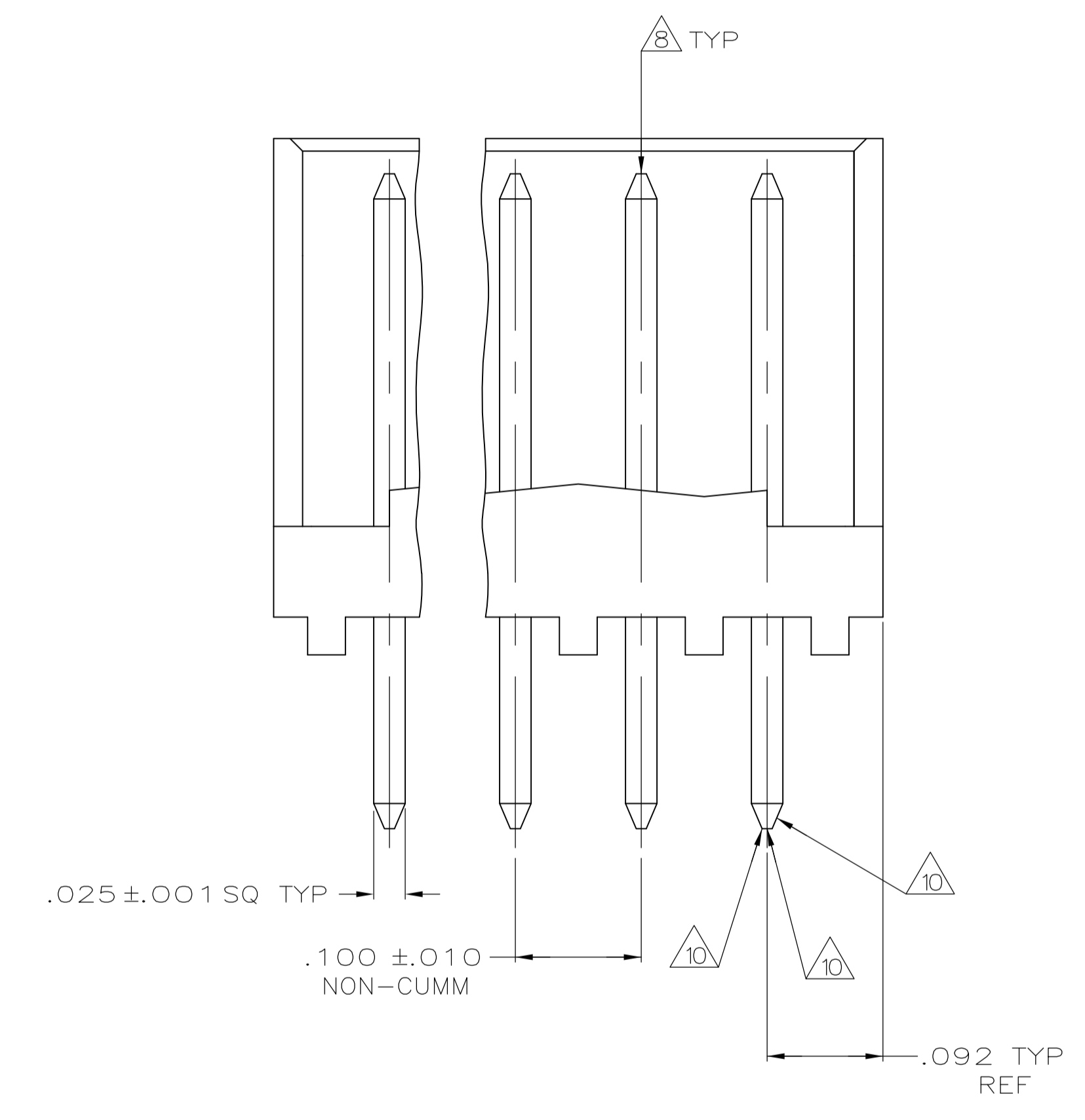
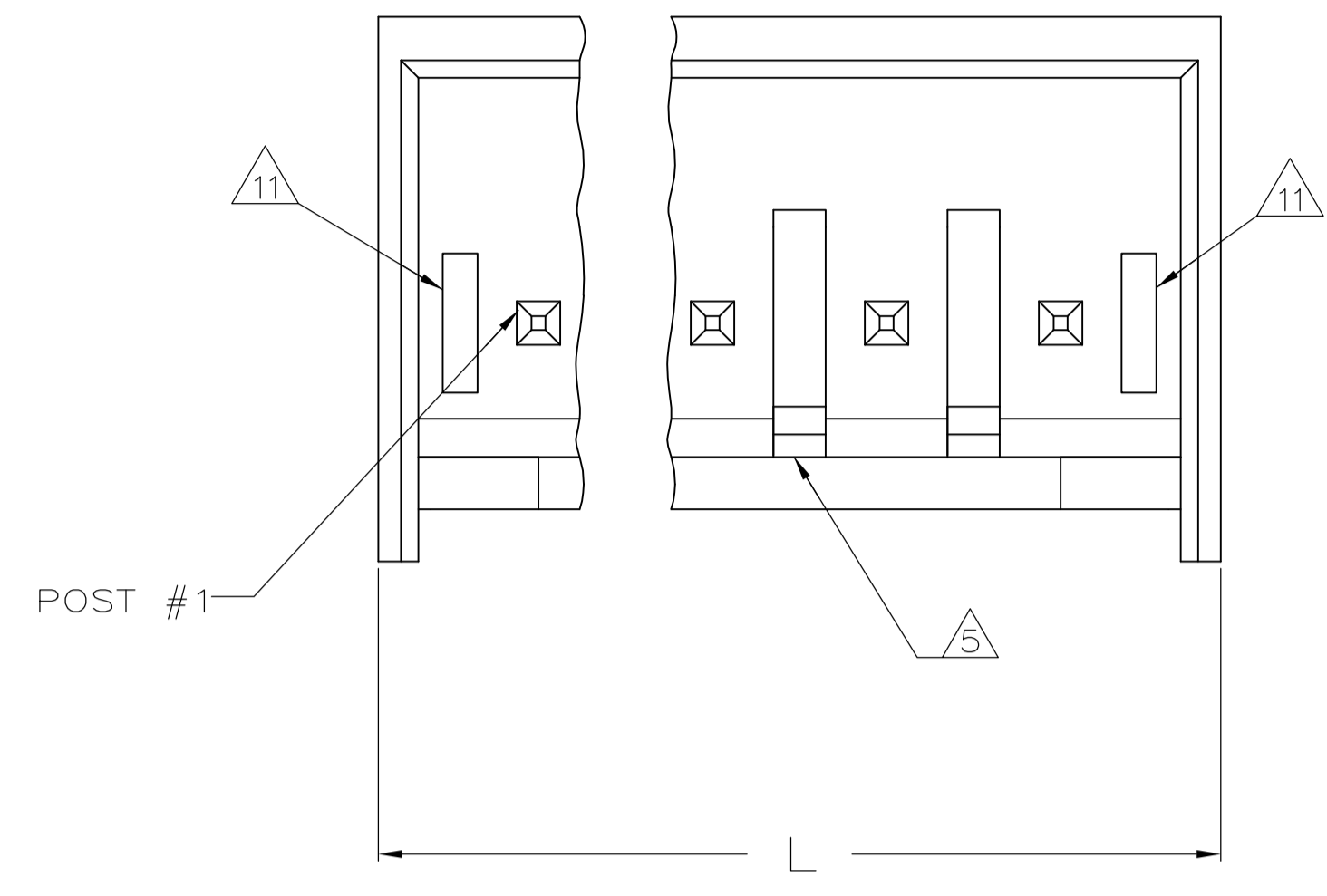
## Contact us

Tel: +86-755-8981 8866 Fax: +86-755-8427 6832

Email & Skype: info@chipsmall.com Web: www.chipsmall.com

Address: A1208, Overseas Decoration Building, #122 Zhenhua RD., Futian, Shenzhen, China





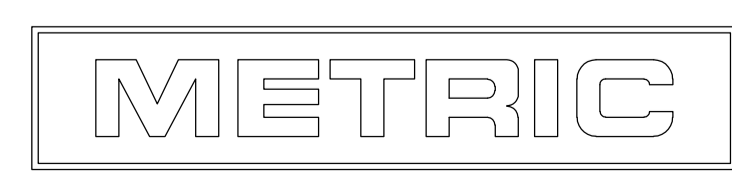
RECOMMENDED MOUNTING HOLE PATTERN FOR .063 THK PRINTED CIRCUIT BOARD

- △1 MATERIAL: HEADER - POLYESTER UL94V-0 (BLACK)  
POST - COPPER ALLOY.
- △2 SOLDER SIDE OF P.C. BOARD SHOWN.
- 3. PARTS COMPLY WITH AMP SOLDERABILITY SPEC 109-11-2.
- △4 ONE HOLE MAY BE UNDERSIZED (.032-.035 DIA) FOR ASSEMBLY RETENTION DURING WAVE SOLDERING.
- △5 LATCH DETENT FEATURE OCCURS 2 PLACES ON EACH END (MAXIMUM OF FOUR PER PART). FOR 2 THRU 5 CIRCUIT HEADERS, LATCH FEATURE OCCURS BETWEEN EACH CIRCUIT.
- △6 COORDINATE DIMENSION APPLIES FROM CENTER OF ACTUAL FEATURE.
- △7 POST: 93/7 BRIGHT TIN-LEAD PLATING (-2 THRU -14) OR 100% BRIGHT TIN PLATING (-32 THRU -44).
- △8 POST MUST WITHSTAND 3.0 LBS (13.34 NEWTONS) MIN FORCE WITHOUT DISLODGING, EITHER DIRECTION.
- △9 TWO SIDES OF TAPER, AS SHOWN, MUST BE PLATED. TYPICAL, BOTH ENDS.
- △10 TWO SIDES OF TAPER, AS SHOWN, AND TIP MAY BE UNPLATED. TYPICAL, BOTH ENDS.
- △11 SLOTS MAY OR MAY NOT APPEAR ON THESE PARTS.
- 12. UL RECOGNIZED ( UR ) LOGO AND CSA LOGO WILL APPEAR ON THE SIDE OF THE PART. THE AMP LOGO MAY APPEAR ON THE SIDE OR ON BOTTOM OF PART.

1.484	37.69	14	4-644892-4
1.384	35.15	13	4-644892-3
1.284	32.61	12	4-644892-2
1.184	30.07	11	4-644892-1
1.084	27.53	10	4-644892-0
.984	24.99	9	3-644892-9
.884	22.45	8	3-644892-8
.784	19.91	7	3-644892-7
.684	17.37	6	3-644892-6
.584	14.83	5	3-644892-5
.484	12.29	4	3-644892-4
.384	9.75	3	3-644892-3
.284	7.21	2	3-644892-2
1.484	37.69	14	1-644892-4
1.384	35.15	13	1-644892-3
1.284	32.61	12	1-644892-2
1.184	30.07	11	1-644892-1
1.084	27.53	10	1-644892-0
.984	24.99	9	644892-9
.884	22.45	8	644892-8
.784	19.91	7	644892-7
.684	17.37	6	644892-6
.584	14.83	5	644892-5
.484	12.29	4	644892-4
.384	9.75	3	644892-3
.284	7.21	2	644892-2
IN	MM	NO OF POSITIONS	PART NUMBER
L			HEADER ASSEMBLY

.025	0.64	.100	2.54	.520	13.21
.010	0.25	.092	2.34	.410	10.41
.005	0.13	.063	1.60	.313	7.95
.001	0.03	.040	1.02	.280	7.11
.000350	0.00889	.035	0.89	.176	4.47
.0001500	0.00381	.032	0.81	.140	3.56
.000	0.00	.030	0.76	.107	2.72
IN	MM	IN	MM	IN	MM

CONVERSION TABLE



THIS DRAWING IS A CONTROLLED DOCUMENT.

APPROVED: K. WHITAKER 24JUNE2005  
CHK: D. ROSSI 24JUNE2005  
NAME: D. ROSSI

PRODUCT SPEC: CST-100 SHROUDED HEADER ASSEMBLY, FRICTION LOCK, STRAIGHT POST, TIN OR TIN LEAD PLATED

APPLICATION SPEC: ---

SIZE: A1  
CAGE CODE: 00779  
DRAWING NO: 644892

RESTRICTED TO: ---

MATERIAL: △1  
FINISH: △7

WEIGHT: ---

CUSTOMER DRAWING

SCALE: 10:1  
SHEET: 1 of 1  
REV: F1