



Chipsmall Limited consists of a professional team with an average of over 10 year of expertise in the distribution of electronic components. Based in Hongkong, we have already established firm and mutual-benefit business relationships with customers from,Europe,America and south Asia,supplying obsolete and hard-to-find components to meet their specific needs.

With the principle of “Quality Parts,Customers Priority,Honest Operation,and Considerate Service”,our business mainly focus on the distribution of electronic components. Line cards we deal with include Microchip,ALPS,ROHM,Xilinx,Pulse,ON,Everlight and Freescale. Main products comprise IC,Modules,Potentiometer,IC Socket,Relay,Connector.Our parts cover such applications as commercial,industrial, and automotives areas.

We are looking forward to setting up business relationship with you and hope to provide you with the best service and solution. Let us make a better world for our industry!



Contact us

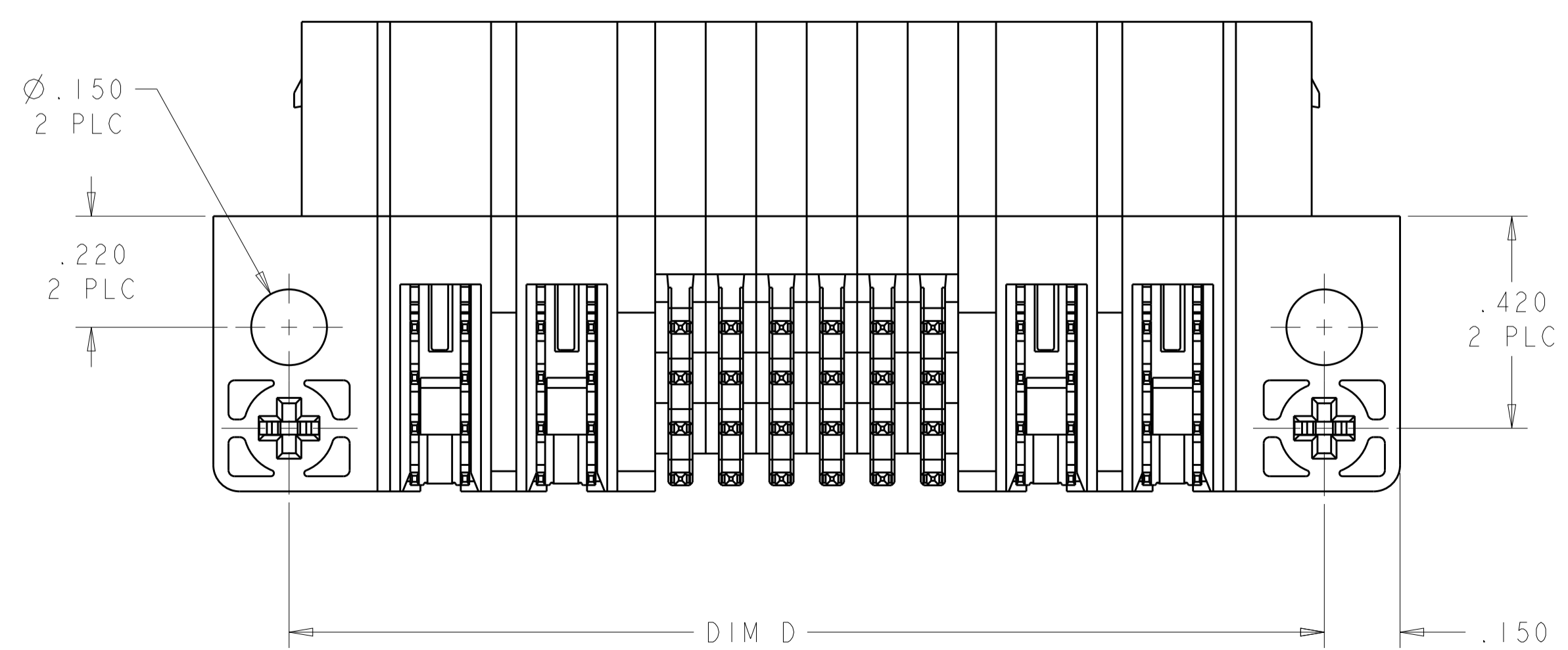
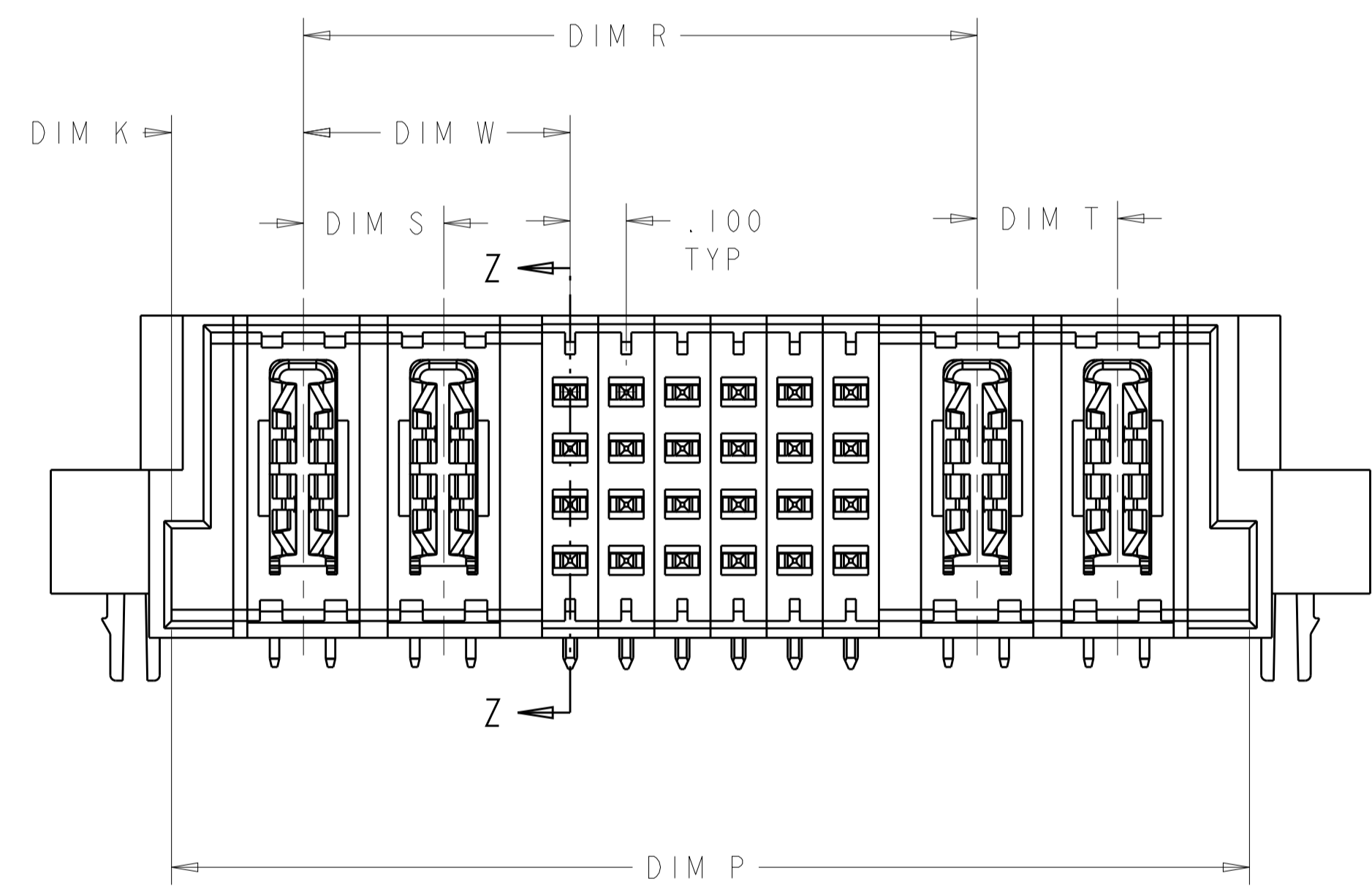
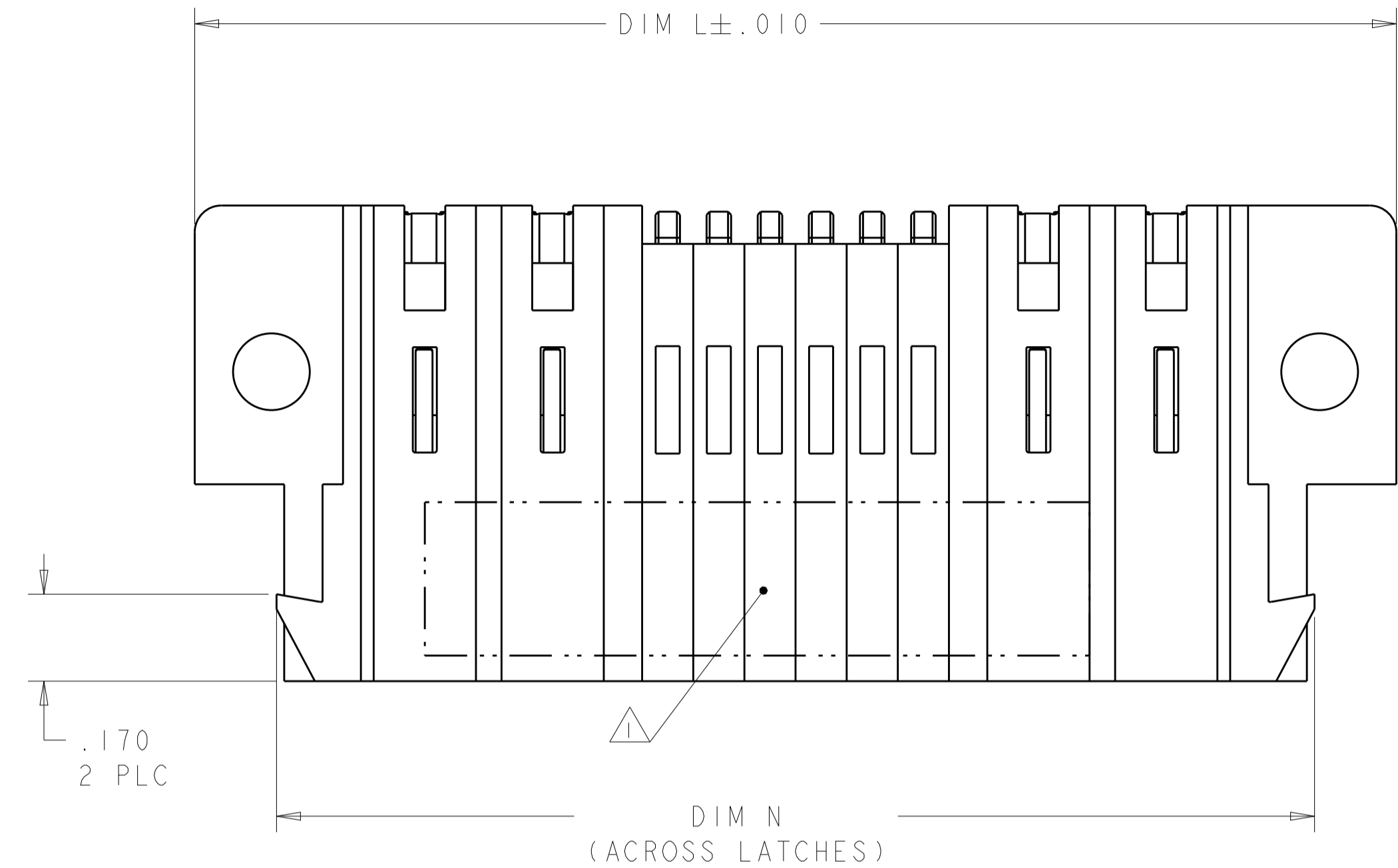
Tel: +86-755-8981 8866 Fax: +86-755-8427 6832

Email & Skype: info@chipsmall.com Web: www.chipsmall.com

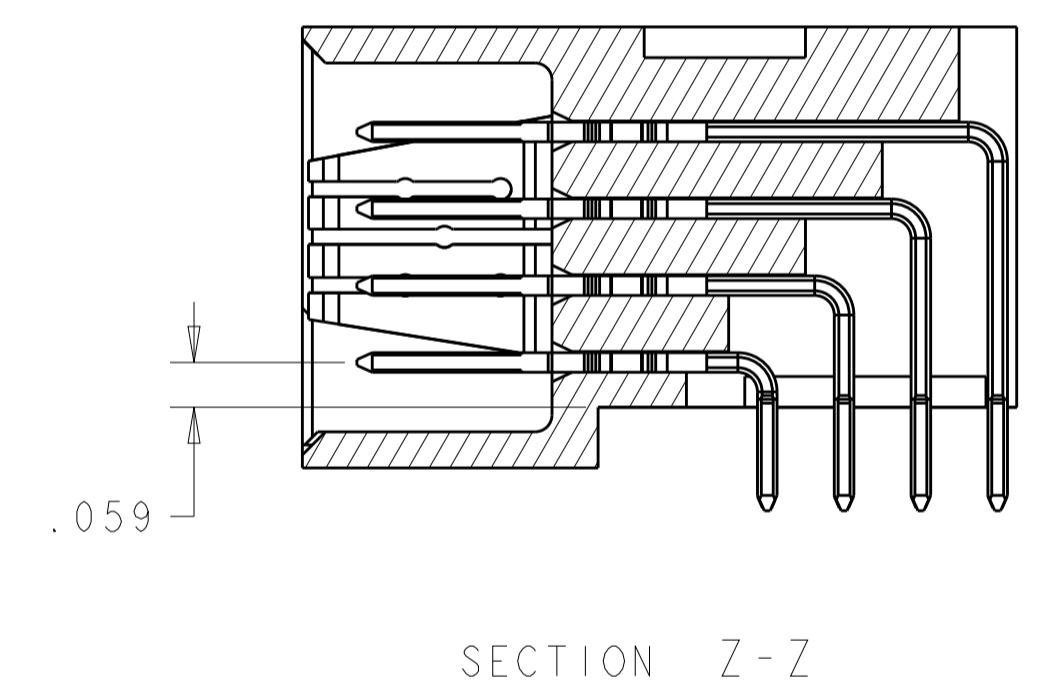
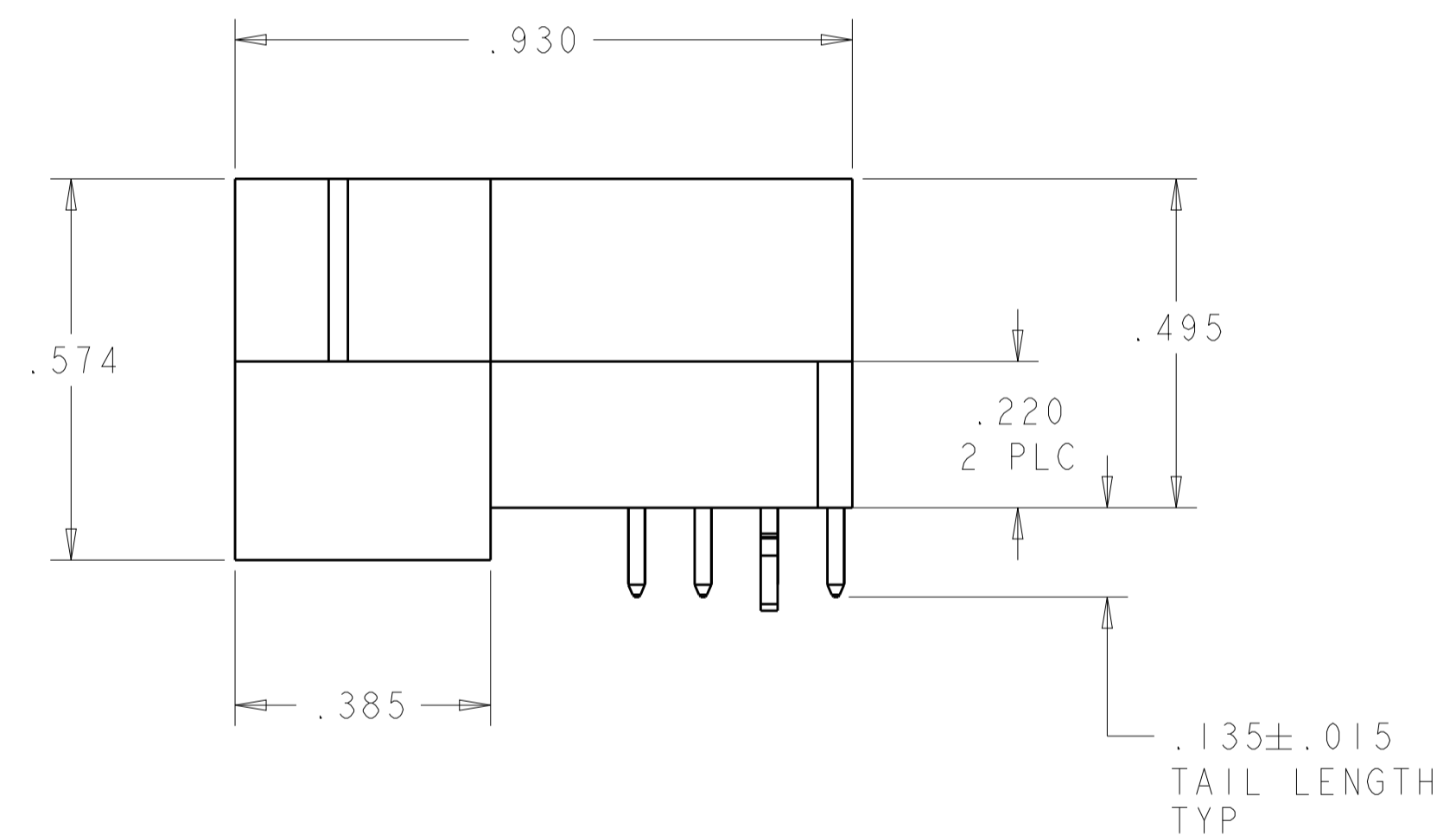
Address: A1208, Overseas Decoration Building, #122 Zhenhua RD., Futian, Shenzhen, China



LOC		DIST		REVISIONS			
GP	00	P	LTM	DESCRIPTION	DATE	DMN	APVD
		D1		ADD NEW PART -12	160CT2012	AY	SZ



- 1 "AMP" PART NUMBER AND DATE CODE TO BE MARKED IN AREA SHOWN. PARTS UNDER 2.500 LONG MAY BE MARKED ON BOTH SIDES.
- 2 MATERIAL: HOUSING - GLASS FILLED HIGH TEMP THERMO PLASTIC, UL 94 V-0
 SIGNAL CONTACT - COPPER ALLOY
 POWER CONTACT - HIGH CONDUCTIVITY COPPER ALLOY.
- 3 CONTACT PLATING: NOBLE METAL PLATING AT CONTACT FUNCTIONAL AREA OF SIGNAL CONTACT AND POWER CONTACT.
- 4 MECHANICAL CONNECTOR KEEP OUT ZONE. WHEN PLACING CONNECTORS END-TO-END, ALLOW ADDITIONAL 0.1 CLEARANCE BETWEEN CONNECTORS FOR LATCH ACTIVATION.
- 5 DATUM AND BASIC DIMENSIONS ESTABLISHED BY CUSTOMER.
- 6 PCB - ALL HOLE DIAMETERS ARE FINISHED HOLE SIZES.
- 7 PCB - .0453±.0010 DRILLED HOLES PLATED WITH .0003 MIN Sn OVER .001 TO .003 Cu PLATING TO ACHIEVE A .040 DIA HOLE.
- 8 NOT RELEASED FOR PRODUCTION.



D1	1.120	1.230	1.250	.700	.200	-	-	1.550	.210	1P + 16S + 1P	1-6450128-2
D	2.970	3.080	3.100	1.800	.850	.300	.300	3.400	.285	3ACP + 32S + 3ACP	1-6450128-1
C	2.770	2.880	2.900	1.600	.850	.300	.300	3.200	.285	3ACP + 24S + 3ACP	1-6450128-0
	1.520	1.630	1.650	-	.925	-	.250	1.950	.235	4P + 12S + 0P	6450128-9
	3.920	4.030	4.050	2.200	1.475	.250	.250	4.350	.235	6P + 24S + 6P	6450128-8
	2.920	3.030	3.050	1.700	.975	.250	.250	3.350	.235	4P + 24S + 4P	6450128-5
	1.920	2.030	2.050	1.200	.475	.250	.250	2.350	.235	2P + 24S + 2P	6450128-2
	1.420	1.530	1.550	.950	.225	-	-	1.850	.235	1P + 24S + 1P	6450128-1
	DIM P	DIM N	DIM D	DIM R	DIM W	DIM T	DIM S	DIM L	DIM K	DESCRIPTION	PART NUMBER

THIS DRAWING IS A CONTROLLED DOCUMENT.

DMN: R. GRZYBOWSKI TOFEB05
 CHK: M. PERCHERKE TOFEB05
 APVD: M. PERCHERKE

NAME: RIGHT ANGLE HEADER ASSEMBLY W/END LATCHES MULTI-BEAM XL

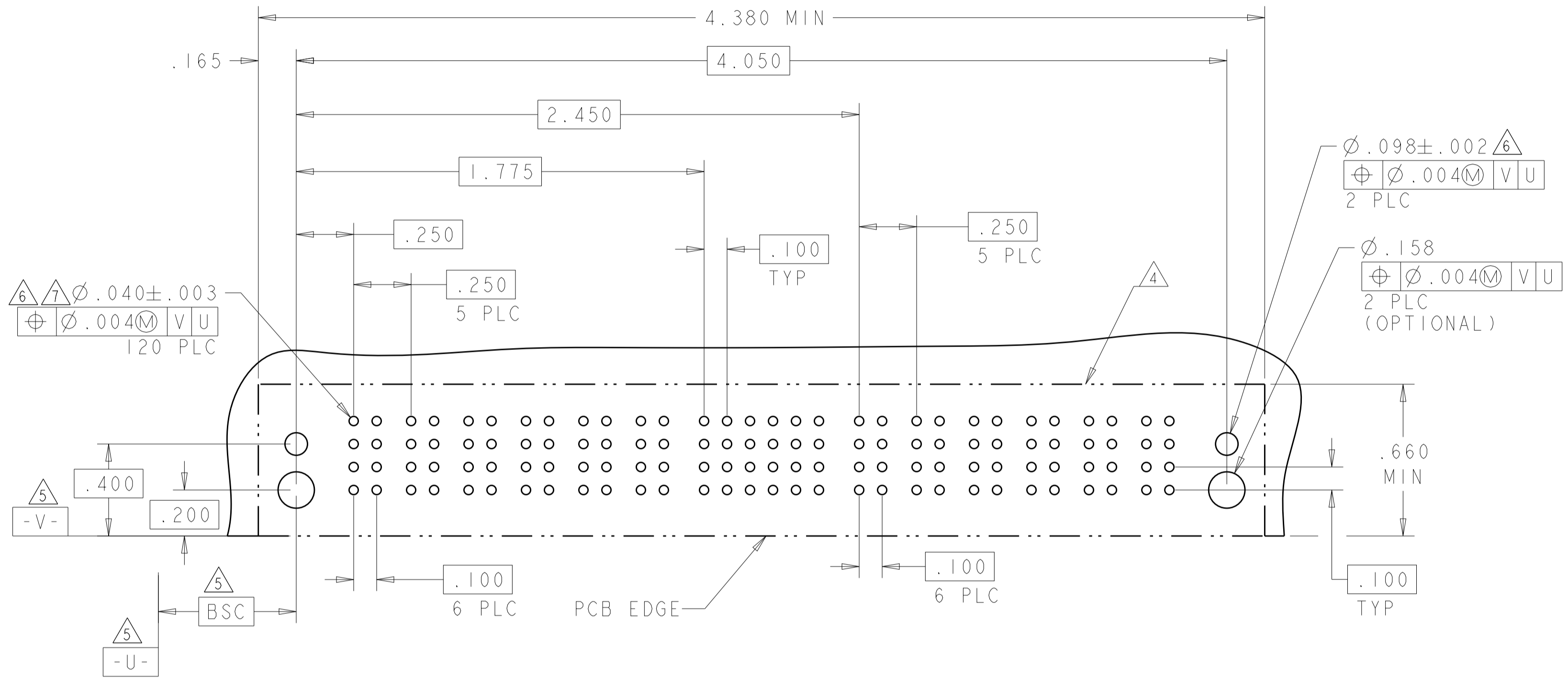
PRODUCT SPEC: 108-1973
 APPLICATION SPEC: 114-13038

SIZE: 114-13038
 WEIGHT: -
 CUSTOMER DRAWING

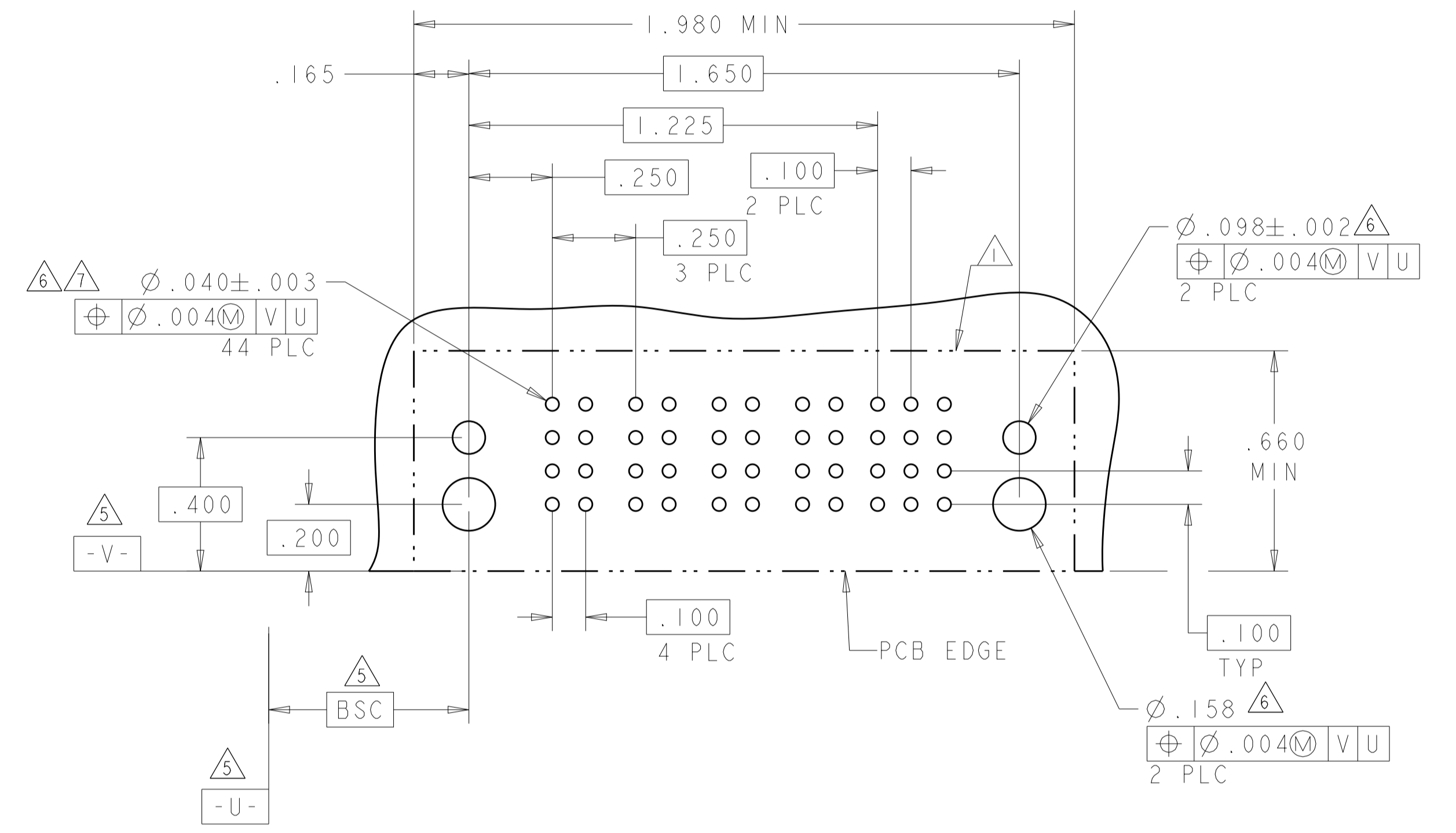
SCALE: 4:1 SHEET 1 OF 5 REV: D1

LOC		DIST		REVISONS			
GP	00	P	LTN	DESCRIPTION	DATE	DMN	APVD
		-		SEE SHEET 1			

PART NUMBER	ROWS	POWER						SIGNAL						POWER					
		P1	P2	P3	P4	P5	P6	1	2	3	4	5	6	P7	P8	P9	P10	P11	P12
6450128-8	D C B A	PM	PM	PM	PM	PM	E	E	E	E	E	J	PM	PM	PM	PM	PM	PM	
							F	F	F	F	F	F							
							G	G	G	G	G	G							
							S	H	H	H	H	H							
6P + 24S + 6P		[HD]						[HD]											



PART NUMBER	ROWS	POWER				SIGNAL		
		P1	P2	P3	P4	1	2	3
6450128-9	D C B A	PM	PM	PM	PM	J	J	J
						K	K	K
						N	N	N
						S	S	S
4P + 12S + 0P		[HD]				[HD]		

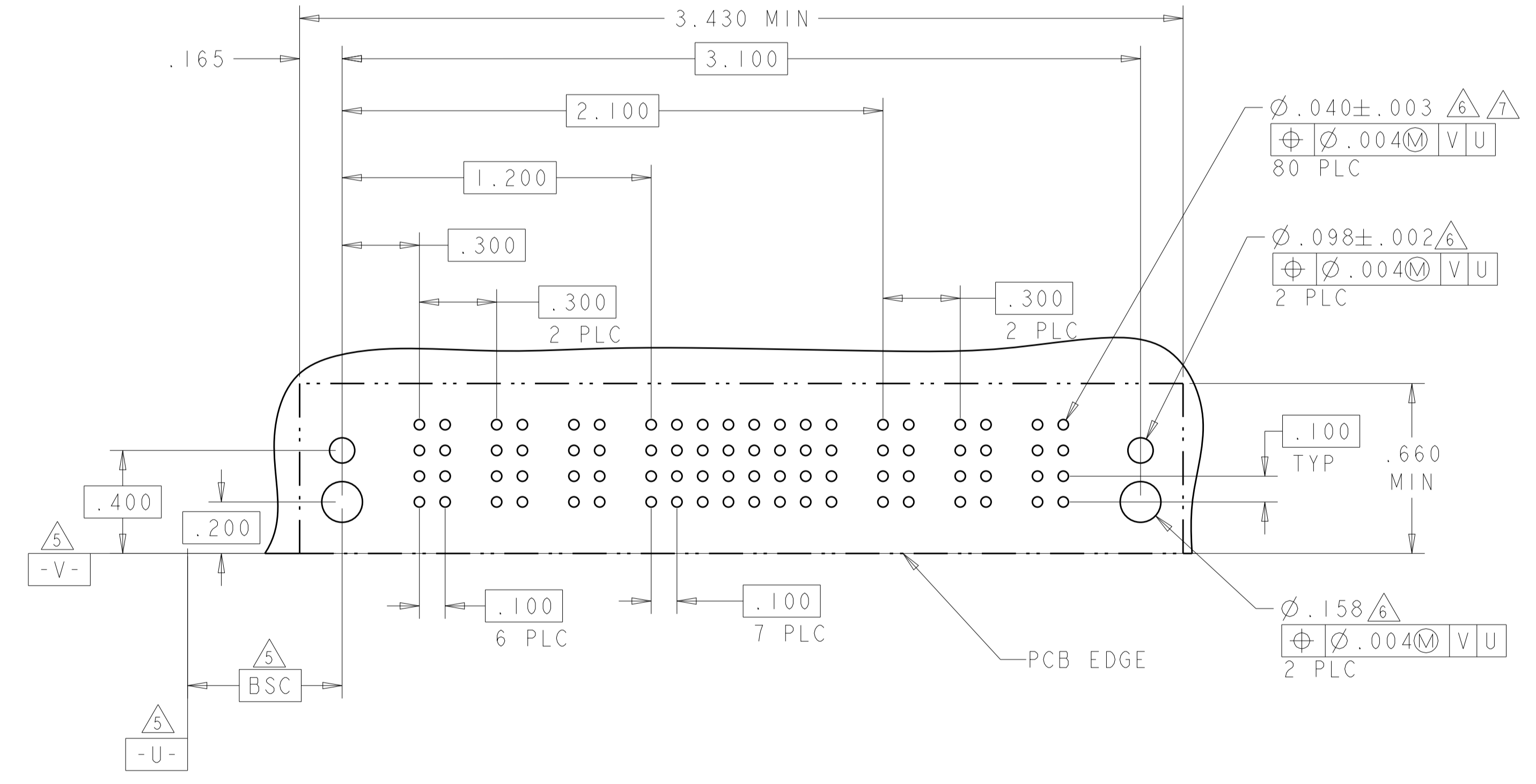
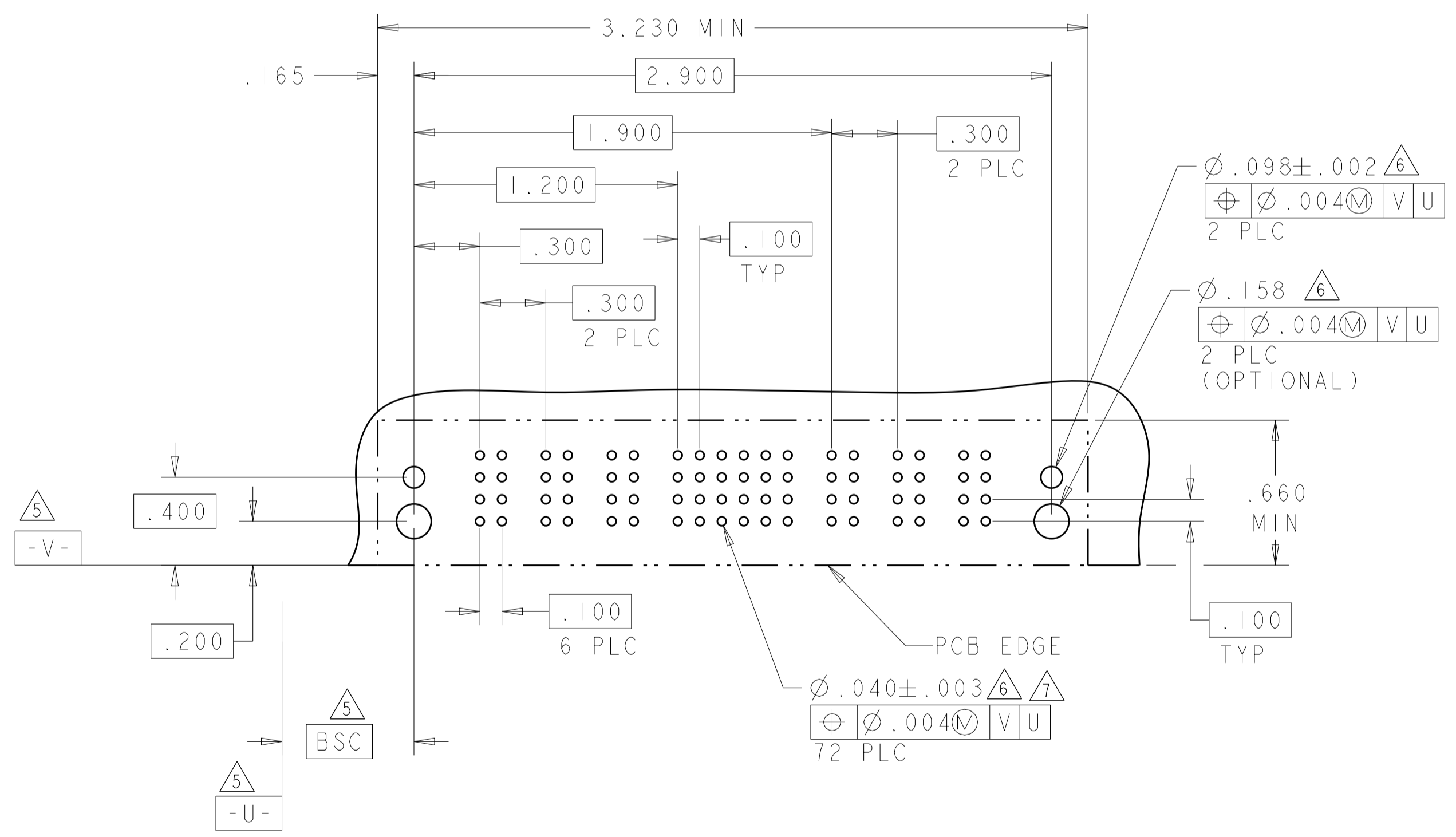


THIS DRAWING IS A CONTROLLED DOCUMENT.		DMN: R. GRZYBOWSKI	TOFEBOS		TE Connectivity
DIMENSIONS: INCHES		CHK: M. PERCHERKE	TOFEBOS		NAME: RIGHT ANGLE HEADER ASSEMBLY W/END LATCHES MULTI-BEAM XL
TOLERANCES UNLESS OTHERWISE SPECIFIED:		APVD: M. PERCHERKE		PRODUCT SPEC: 108-1973	
0 PLC ±.01				APPLICATION SPEC: 114-13038	
1 PLC ±.01				SIZE: A1	
2 PLC ±.01				CAGE CODE: 00779	
3 PLC ±.005				DRAWING NO: C=6450128	
4 PLC ±.002				RESTRICTED TO: -	
ANGLES ±.020				SCALE: 4:1	
FINISH: -				SHEET: 3 OF 5	
MATERIAL: -				REV: D1	
				CUSTOMER DRAWING	

LOC	DIST	REVISIONS			
P	LTN	DESCRIPTION	DATE	DMN	APVD
-	-	SEE SHEET 1	-	-	-

PART NUMBER	ROWS	POWER			SIGNAL						POWER		
		P1	P2	P3	1	2	3	4	5	6	P4	P5	P6
I-6450128-0	D	PM	PM	PM	J	J	J	J	J	J	PM	PM	PM
	C				K	K	K	K	K	K			
	B				N	N	N	N	N	N			
	A				S	S	S	S	S	S			
3ACP + 24S + 3ACP													

PART NUMBER	ROWS	POWER			SIGNAL								POWER		
		P1	P2	P3	1	2	3	4	5	6	7	8	P4	P5	P6
I-6450128-1	D	PM	PM	PM	J	J	J	J	J	J	J	J	PM	PM	PM
	C				K	K	K	K	K	K	K				
	B				N	N	N	N	N	N	N				
	A				S	S	S	S	S	S	S				
3ACP + 32S + 3ACP															



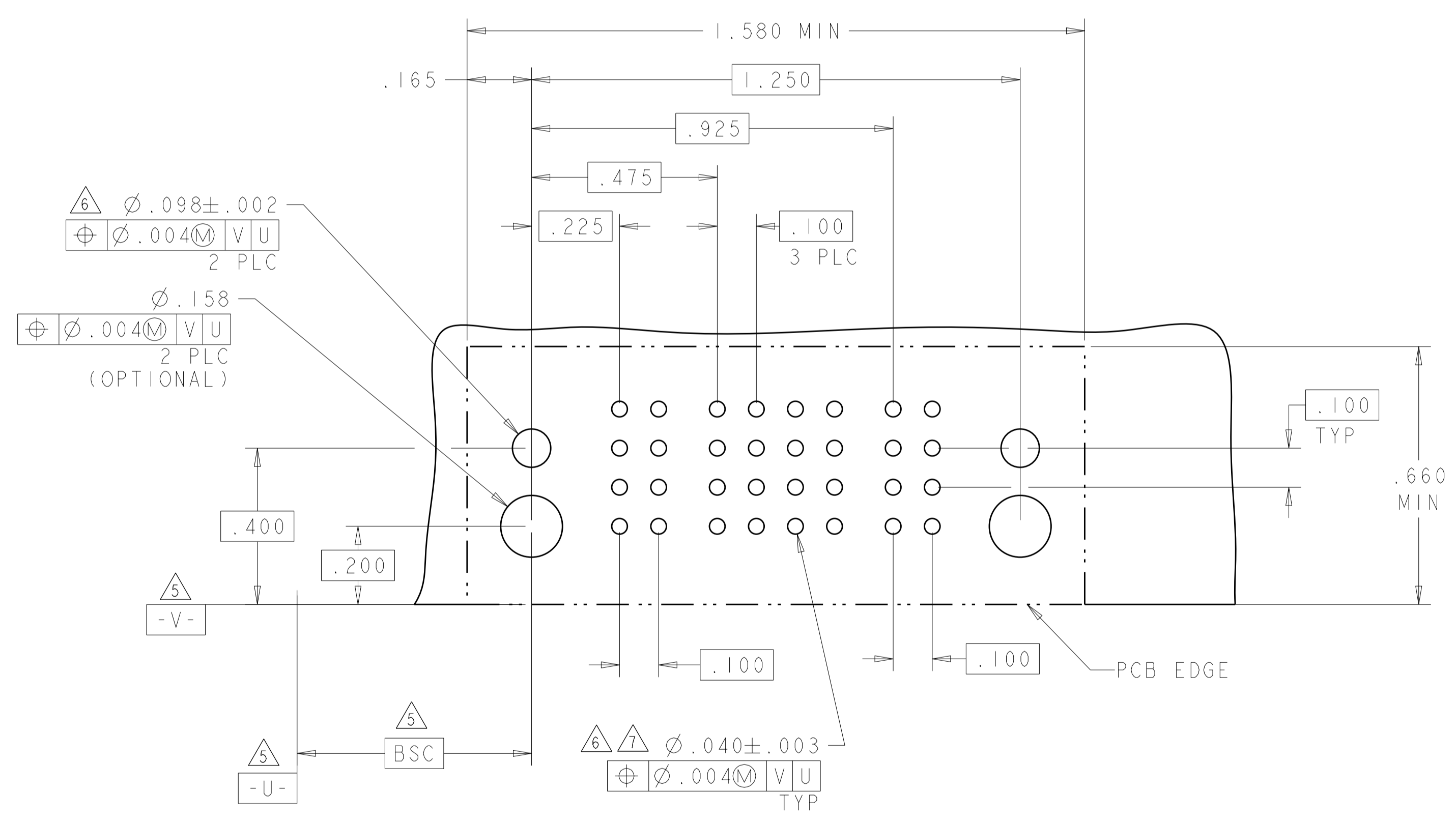
THIS DRAWING IS A CONTROLLED DOCUMENT.

DIMENSIONS: INCHES	TOLERANCES UNLESS OTHERWISE SPECIFIED: 0 PLC ±. 1 PLC ±.01 2 PLC ±.01 3 PLC ±.005 4 PLC ±.0020 ANGLES ±.2°	DMN: R. GRZYBOWSKI CHK: M. PERCHERKE APVD: M. PERCHERKE	TOFEB05 TOFEB05		TE Connectivity
MATERIAL: -	FINISH: -	NAME: - PRODUCT SPEC: 108-1973 APPLICATION SPEC: 114-13038 WEIGHT: -	SIZE: A1 CAGE CODE: 00779 DRAWING NO: 6450128		RIGHT ANGLE HEADER ASSEMBLY W/END LATCHES MULTI-BEAM XL
CUSTOMER DRAWING		SCALE: 4:1		SHEET 4 OF 5 REV D1	

LOC	DIST	REVISIONS					
GP	00	P	LTN	DESCRIPTION	DATE	DMN	APVD
		-		SEE SHEET 1			

PART NUMBER	ROWS		POWER		SIGNAL				POWER	
			PI		1	2	3	4	P2	
I-6450128-2	D	HD	PM		J	J	J	J	PM	HD
	C				K	K	K	K		
	B				N	N	N	N		
	A				S	S	S	S		
IP + 16S + IP										

(D1)



THIS DRAWING IS A CONTROLLED DOCUMENT.		DMN R. GRZYBOWSKI	10FEB05	STE TE Connectivity
DIMENSIONS: INCHES		CHK M. PERCHERKE	10FEB05	
TOLERANCES UNLESS OTHERWISE SPECIFIED:		APVD M. PERCHERKE		NAME RIGHT ANGLE HEADER ASSEMBLY W/END LATCHES MULTI-BEAM XL
0 PLC ±.01		PRODUCT SPEC		SIZE 114-13038
1 PLC ±.01		APPLICATION SPEC		RESTRICTED TO
2 PLC ±.01				
3 PLC ±.005				
4 PLC ±.0020				
ANGLES ±.2°		WEIGHT		
FINISH				
MATERIAL		CUSTOMER DRAWING	SCALE 4:1	SHEET 5 OF 5
				REV D1