



Chipsmall Limited consists of a professional team with an average of over 10 year of expertise in the distribution of electronic components. Based in Hongkong, we have already established firm and mutual-benefit business relationships with customers from,Europe,America and south Asia,supplying obsolete and hard-to-find components to meet their specific needs.

With the principle of "Quality Parts,Customers Priority,Honest Operation,and Considerate Service",our business mainly focus on the distribution of electronic components. Line cards we deal with include Microchip,ALPS,ROHM,Xilinx,Pulse,ON,Everlight and Freescale. Main products comprise IC,Modules,Potentiometer,IC Socket,Relay,Connector.Our parts cover such applications as commercial,industrial, and automotives areas.

We are looking forward to setting up business relationship with you and hope to provide you with the best service and solution. Let us make a better world for our industry!



## Contact us

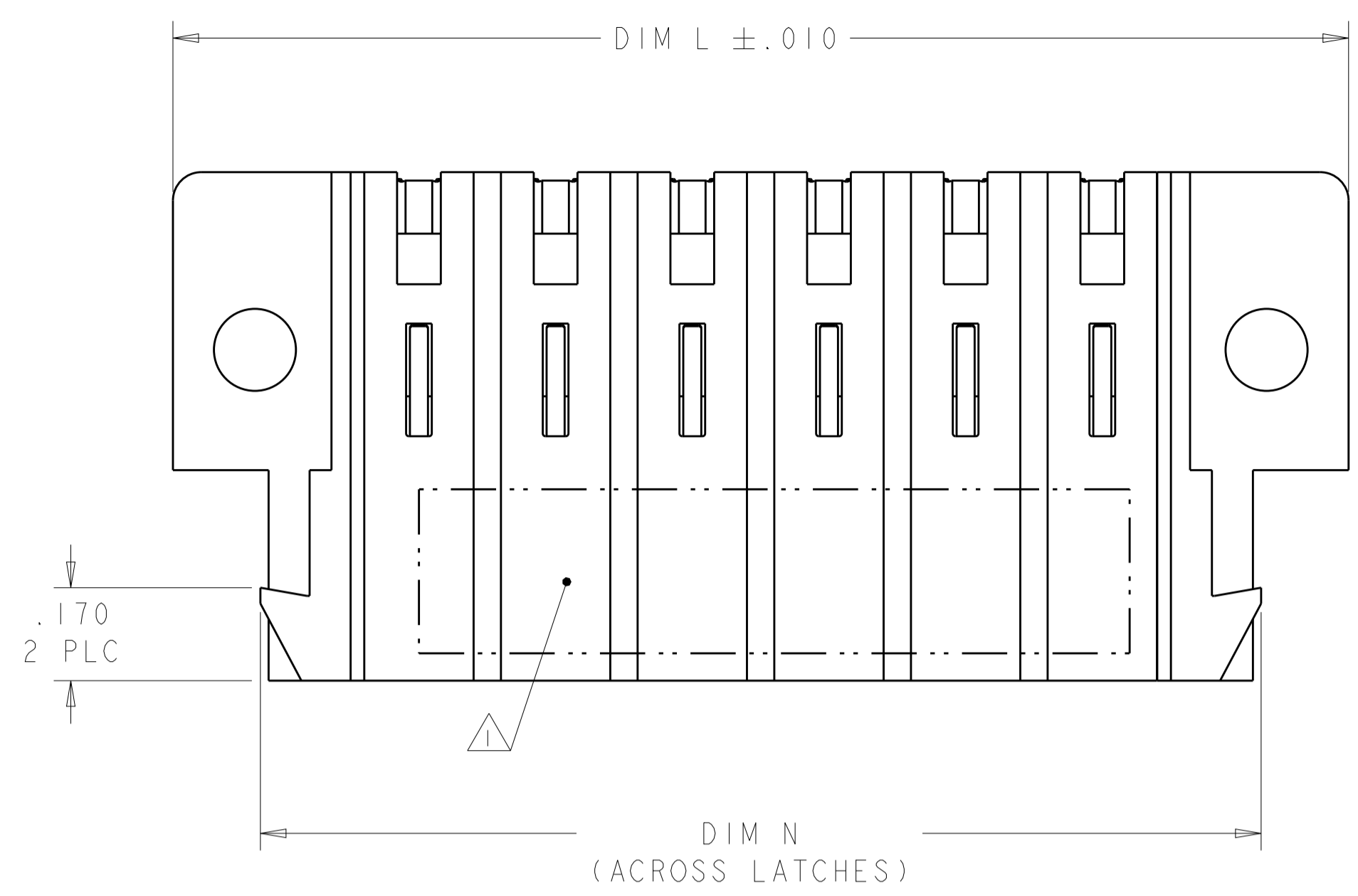
Tel: +86-755-8981 8866 Fax: +86-755-8427 6832

Email & Skype: info@chipsmall.com Web: www.chipsmall.com

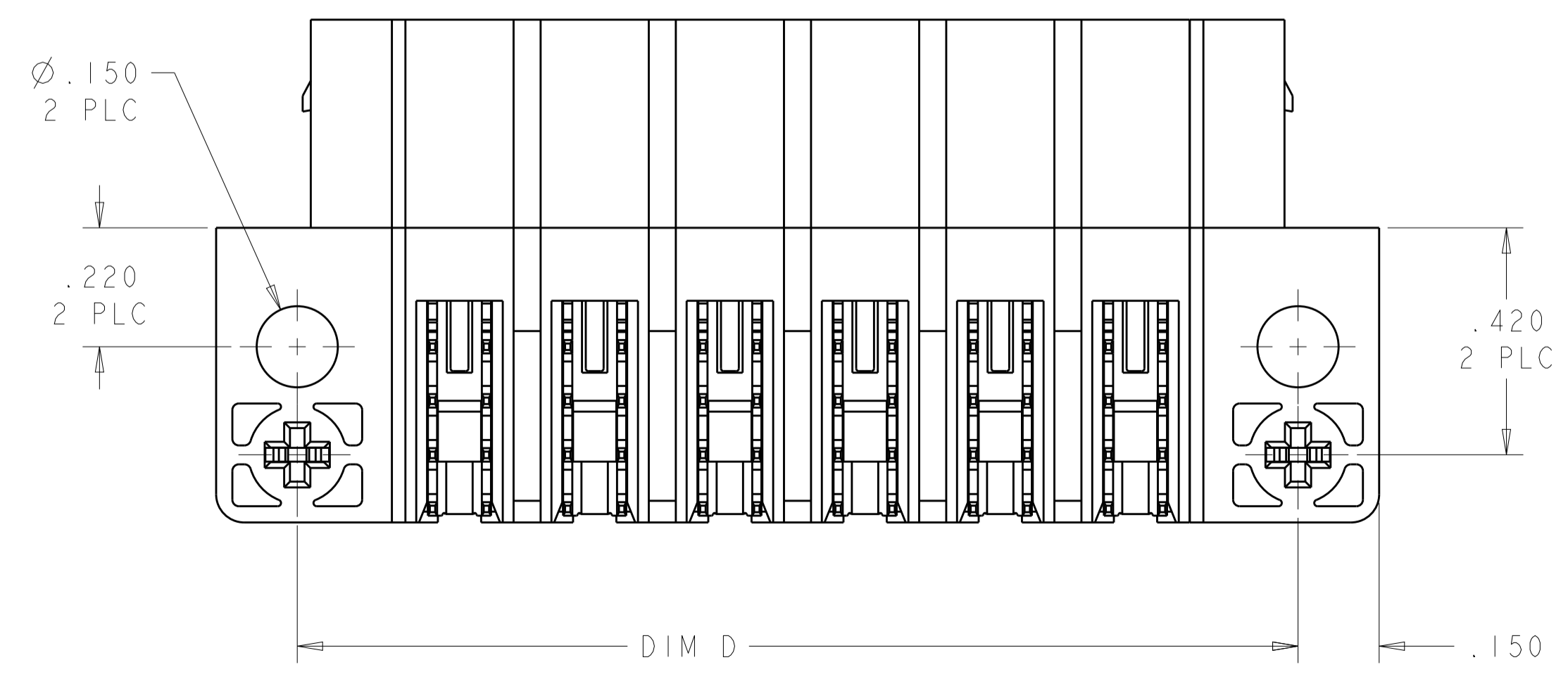
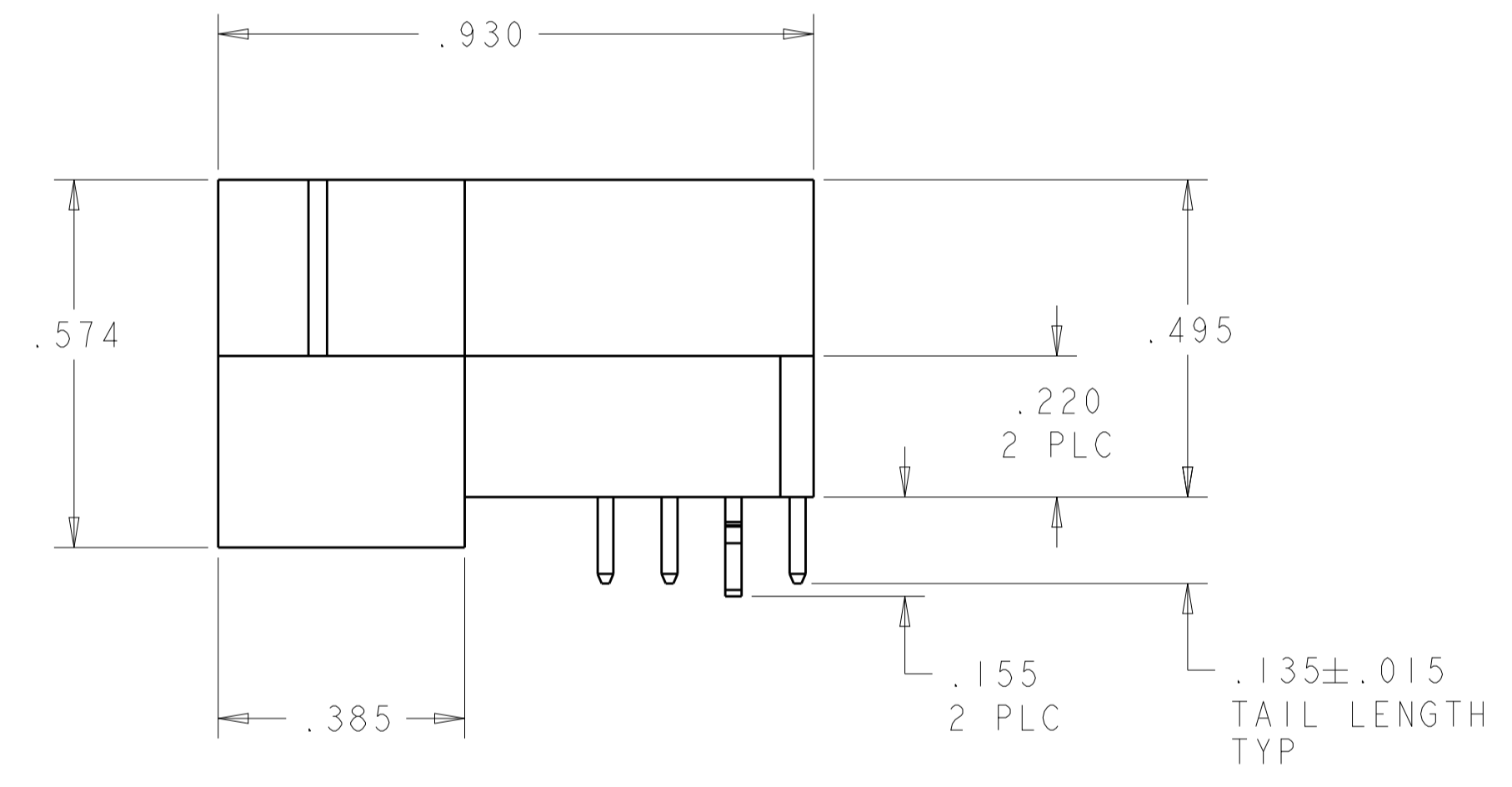
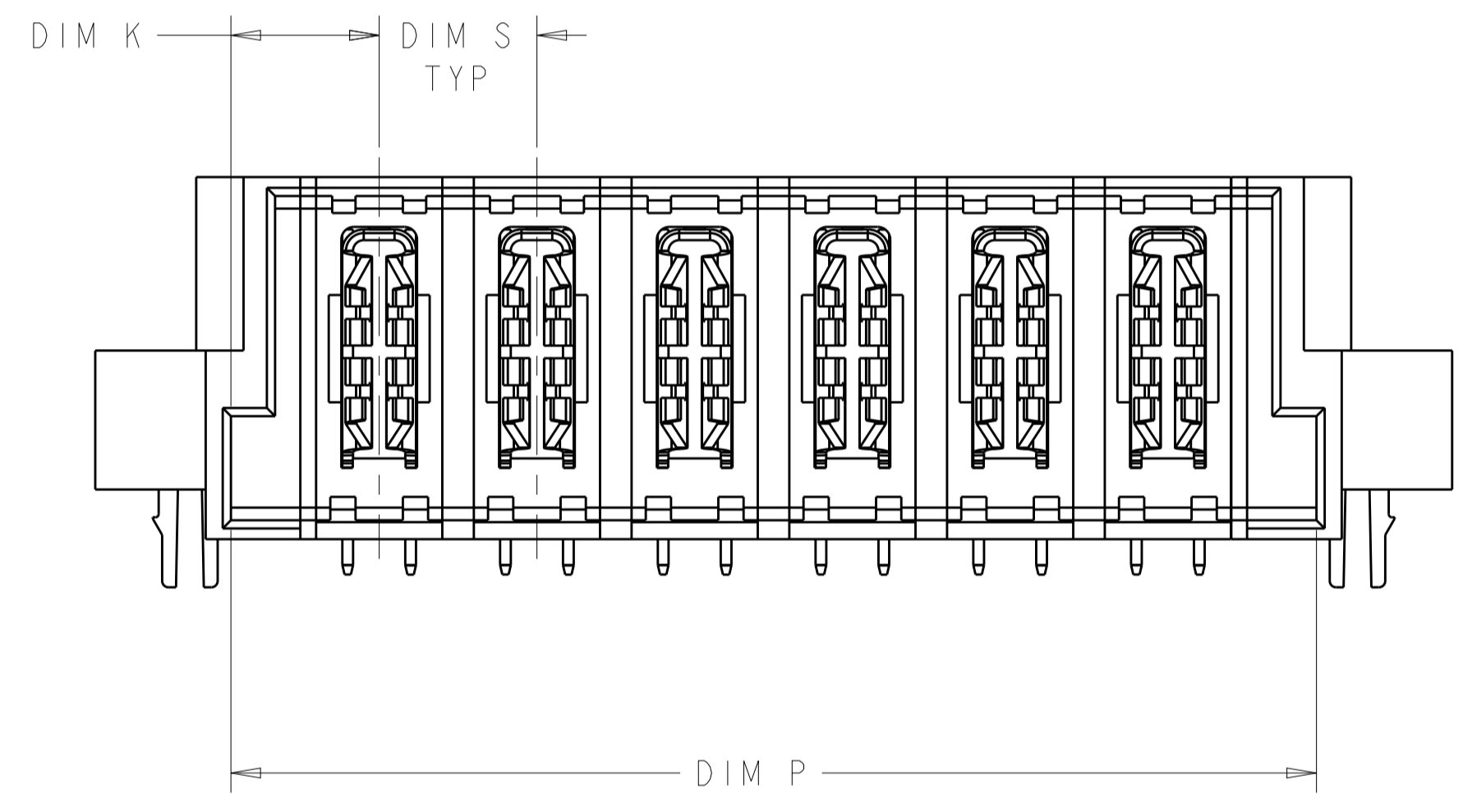
Address: A1208, Overseas Decoration Building, #122 Zhenhua RD., Futian, Shenzhen, China



LOC		DIST		REVISIONS			
ES	00	P	LTN	DESCRIPTION	DATE	DMN	APVD
		C1		ADDED NEW DASH NUMBER 1--1	21SEP2010	CZ	SY



- 1 "AMP" PART NUMBER AND DATE CODE TO BE MARKED IN AREA SHOWN. PARTS UNDER 2.50 INCHES LONG MAY BE MARKED ON BOTH SIDES.
- 2 MATERIAL: HOUSING - GLASS FILLED HIGH TEMP THERMO PLASTIC, UL 94 V-0  
POWER CONTACT - HIGH CONDUCTIVITY COPPER ALLOY.
- 3 CONTACT PLATING: NOBLE METAL PLATING ON CONTACT FUNCTIONAL AREA OF POWER AND SIGNAL CONTACTS
- 4 MECHANICAL CONNECTOR KEEP OUT ZONE. WHEN PLACING CONNECTORS END-TO-END, ALLOW ADDITIONAL 0.1 CLEARANCE BETWEEN CONNECTORS FOR LATCH ACTIVATION.
- 5 DATUM AND BASIC DIMENSIONS ESTABLISHED BY CUSTOMER.
- 6 PCB - ALL HOLE DIAMETERS ARE FINISHED HOLE SIZES.
- 7 PCB - .0453±.0010 DRILLED HOLES PLATED WITH .0003 MIN Sn OVER .001 TO .003 Cu PLATING TO ACHIEVE A .040 DIA HOLE.

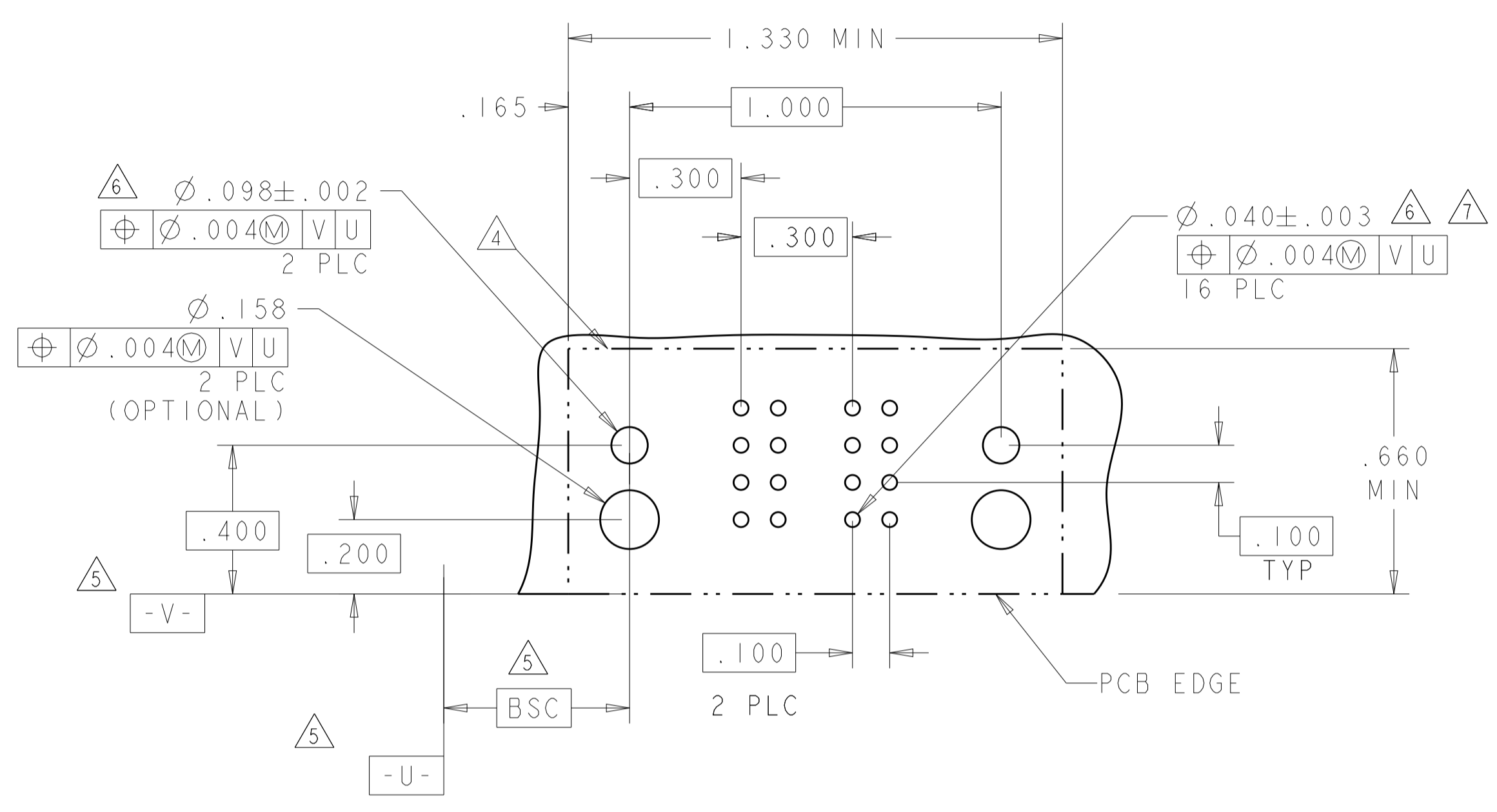


2.070	2.180	2.200	.300	2.500	.285	6ACP	1-6450129-1
1.170	1.280	1.300	.300	1.600	.285	3ACP	1-6450129-0
2.220	2.330	2.350	.250	2.650	.235	8P	6450129-9
1.170	1.280	1.300	.350	1.600	.235	3P	6450129-8
.720	.830	.850	.250	1.150	.235	2P	6450129-7
1.720	1.830	1.850	.250	2.150	.235	6P	6450129-5
1.220	1.330	1.350	.250	1.650	.235	4P	6450129-3
.970	1.080	1.100	.250	1.400	.235	3P	6450129-2
.870	.980	1.000	.300	1.300	.285	2ACP	6450129-1
DIM P	DIM N	DIM D	DIM S	DIM L	DIM K	DESCRIPTION	PART NUMBER

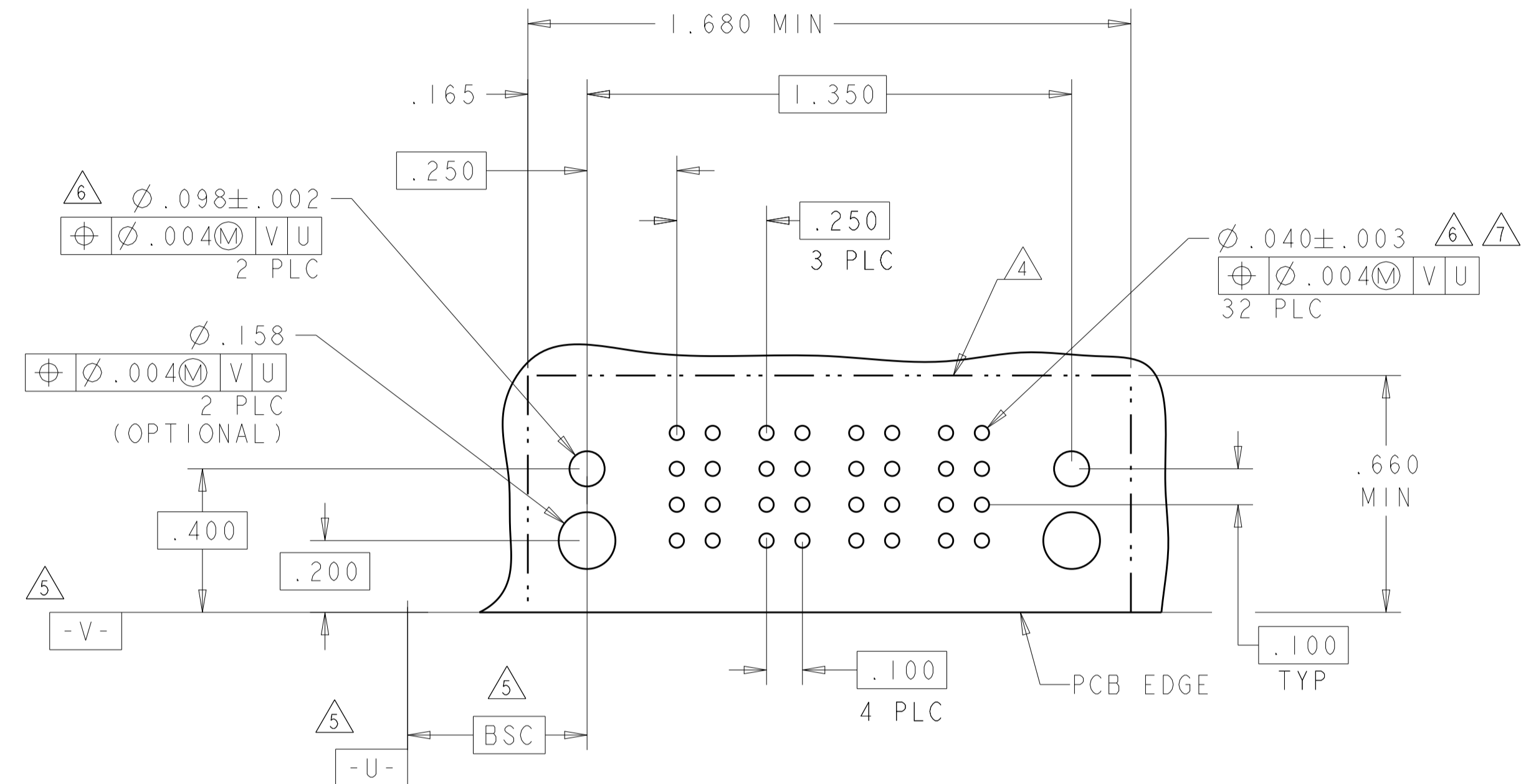
DIMENSIONS: INCHES 		TOLERANCES UNLESS OTHERWISE SPECIFIED: 0 PLC ±. 1 PLC ±.01 2 PLC ±.01 3 PLC ±.005 4 PLC ±.0020 ANGLES ±.0°		DMN R.GRZYBOWSKI CHK M.PERCHEKKE APVD M.PERCHEKKE PRODUCT SPEC 108-1973 APPLICATION SPEC 114-13038 WEIGHT CUSTOMER DRAWING		I1FEB05 I1FEB05 NAME SIZE CAGE CODE DRAWING NO A1 00779 C=6450129 RESTRICTED TO		Tyco Electronics Corporation Shanghai, P.R. 200233 RIGHT ANGLE HEADER ASSEMBLY W/ LATCH RECIEVERS MULTI-BEAM XL SCALE 4:1 SHEET 1 OF 4 REV C1	
---------------------------	--	--	--	--	--	--	--	--	--

LOC	DIST	REVISIONS			
P	LTN	DESCRIPTION	DATE	DMN	APVD
ES	00	SEE SHEET 1			

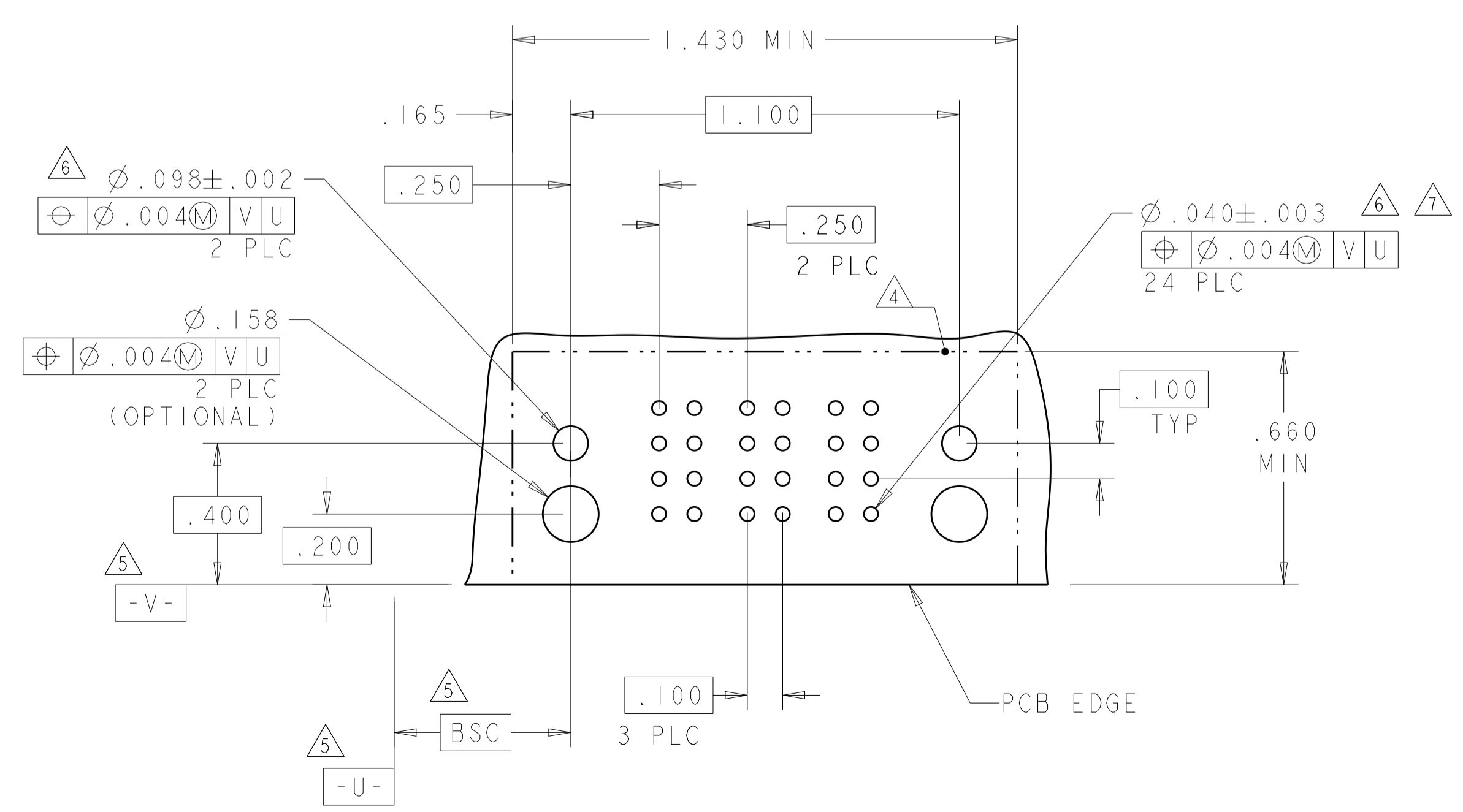
PART NUMBER	ROWS	POWER	
		P1	P2
6450129-1	D C B A	PM	PM
		HD	HD
2ACP			



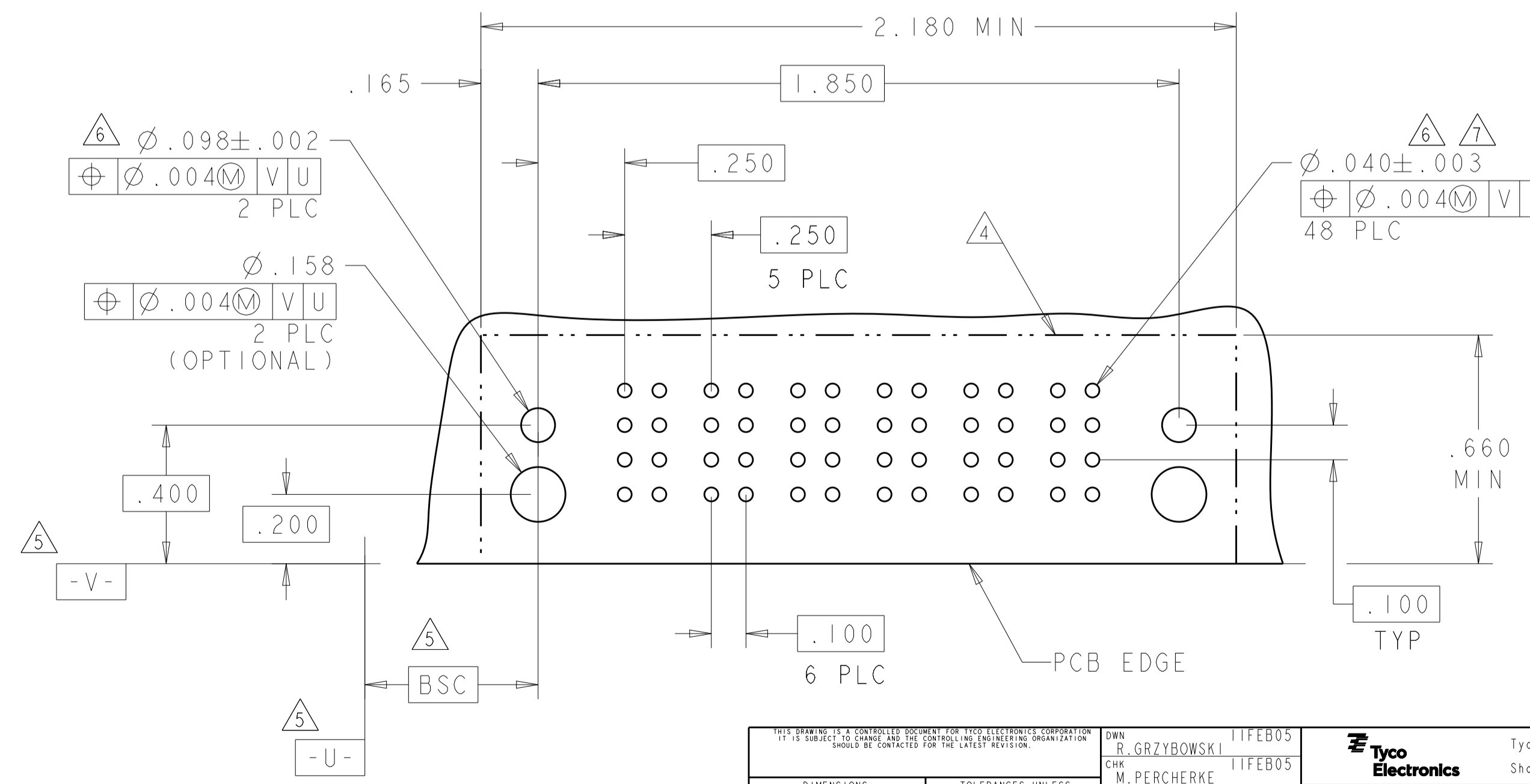
PART NUMBER	ROWS	POWER			
		P1	P2	P3	P4
6450129-3	D C B A	PM	PM	PM	PM
		HD			HD
4P					



PART NUMBER	ROWS	POWER		
		P1	P2	P3
6450129-2	D C B A	PM	PM	PM
		HD		HD
3P				



PART NUMBER	ROWS	POWER					
		P1	P2	P3	P4	P5	P6
6450129-5	D C B A	PM	PM	PM	PM	PM	PM
		HD					HD
6P							



PM	.135
CODE	TAIL LENGTH
POWER CONTACT	

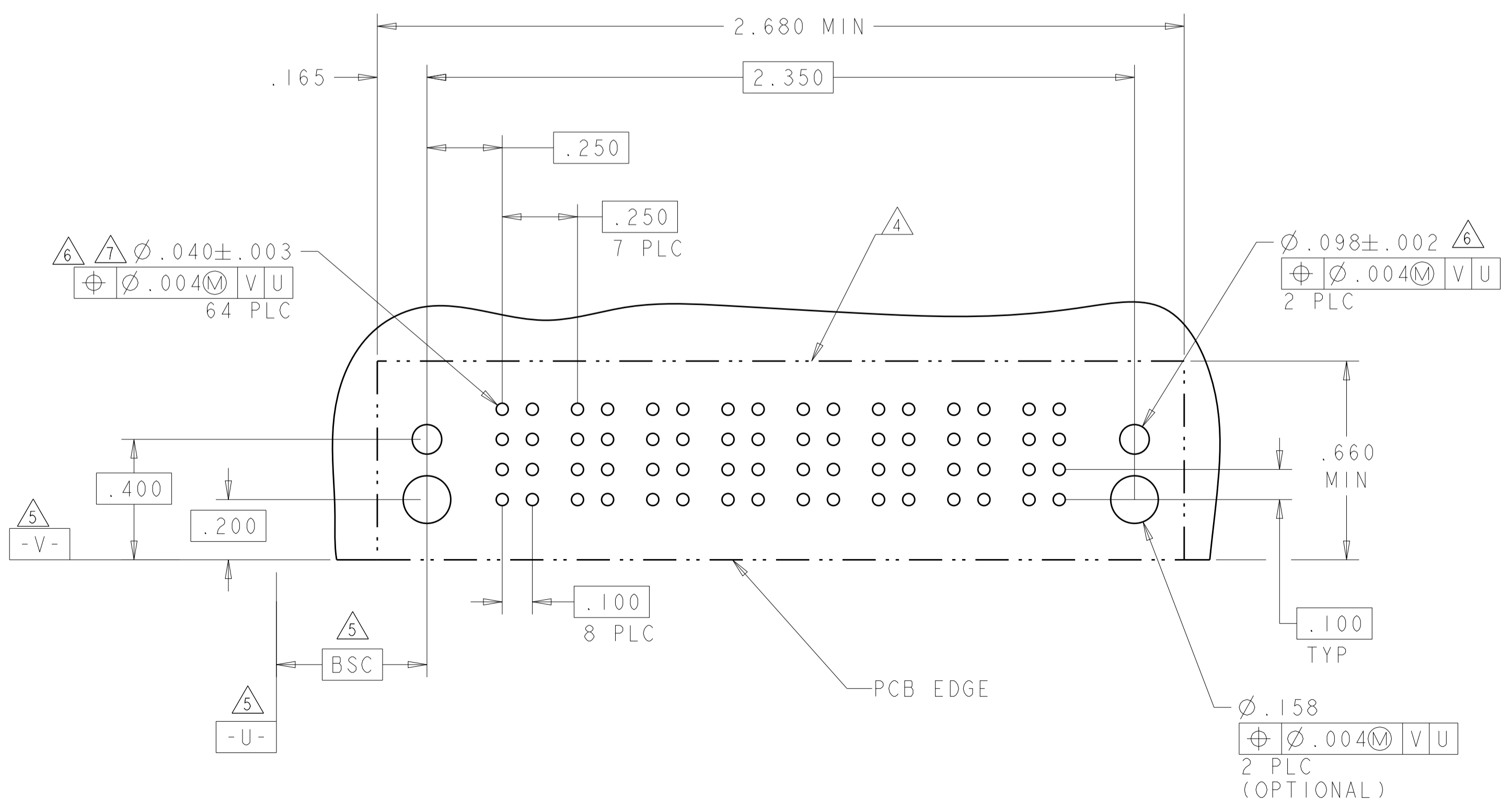
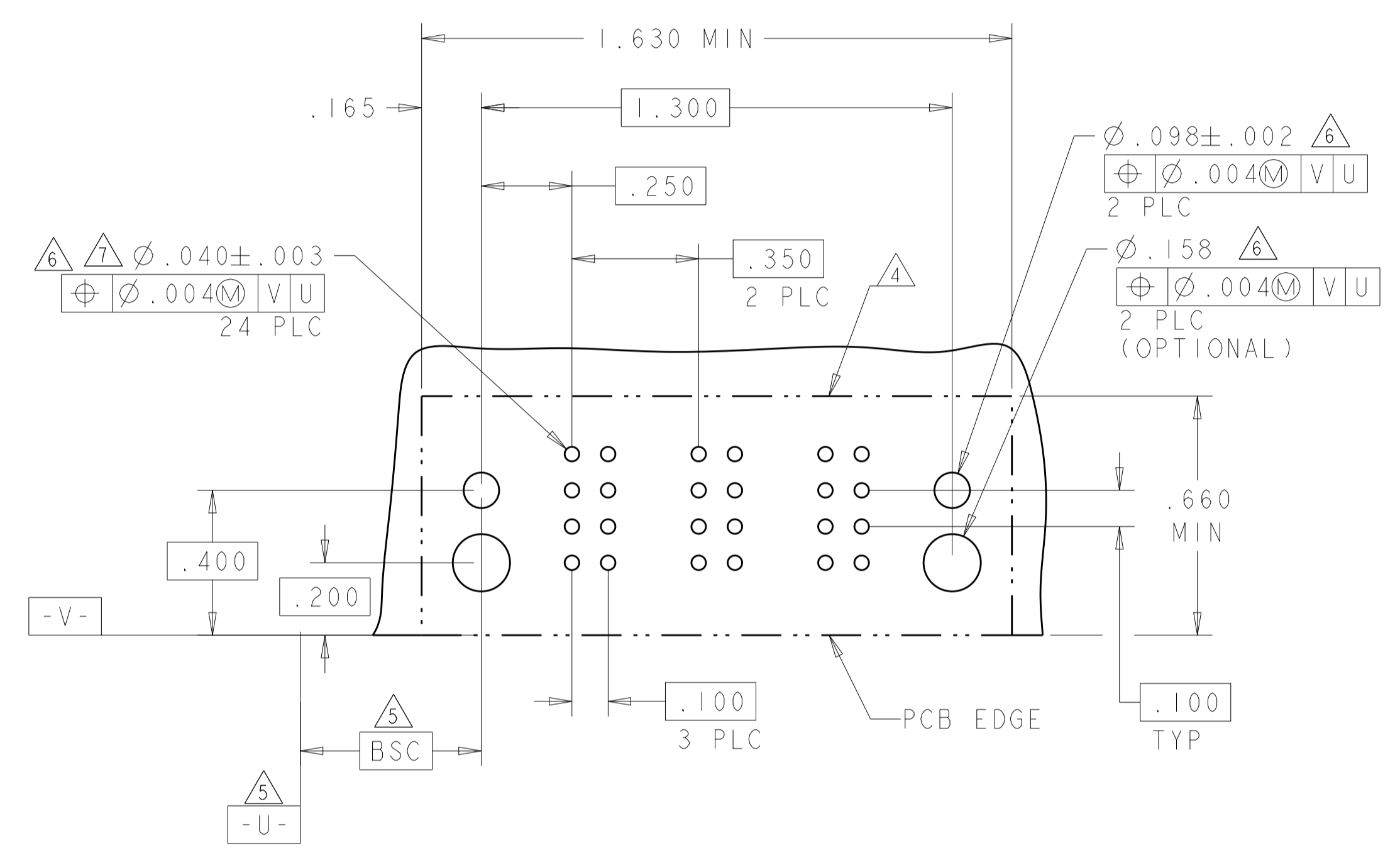
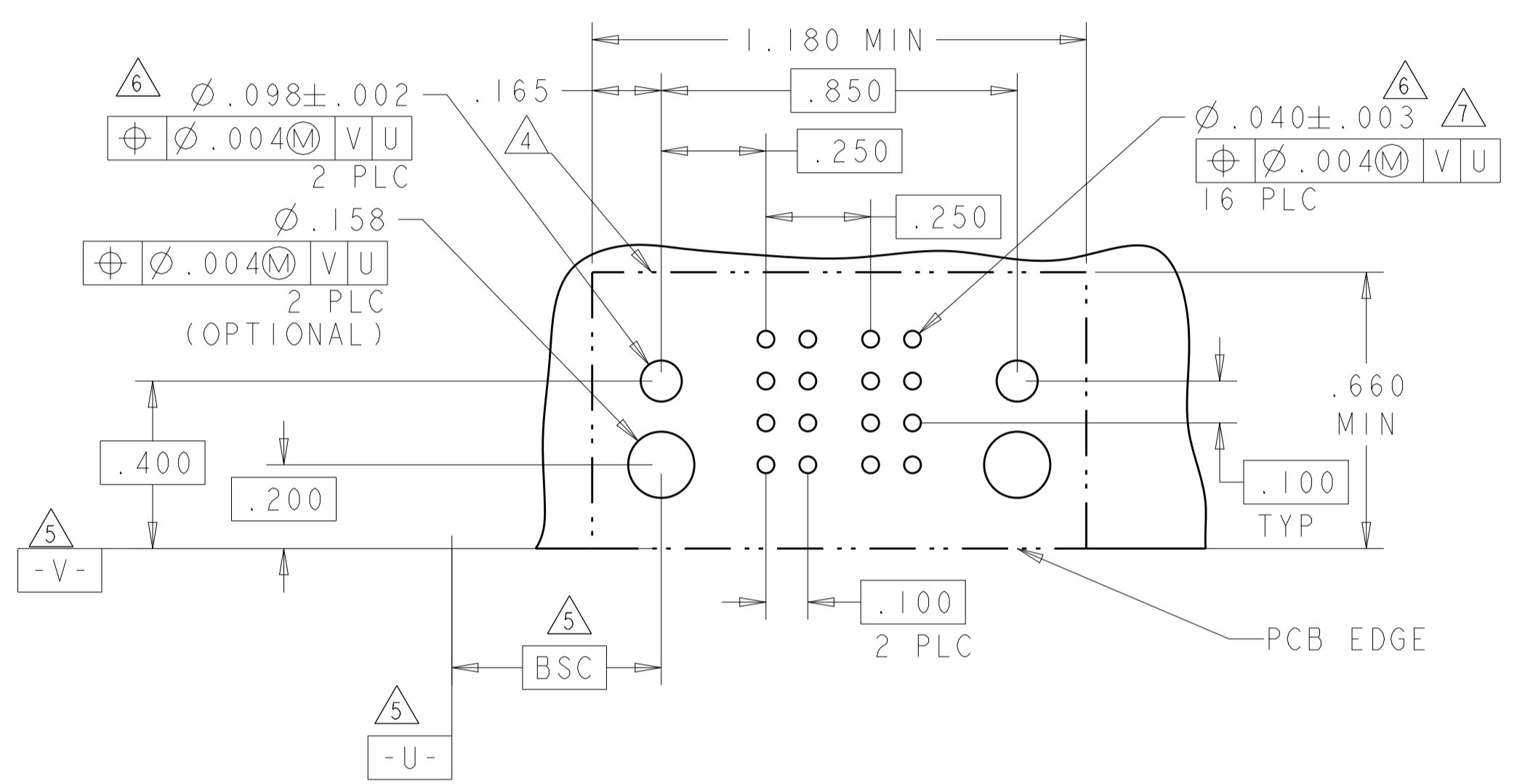
<small>THIS DRAWING IS UNPUBLISHED. RELEASED FOR PUBLICATION BY TYCO ELECTRONICS CORPORATION. ALL RIGHTS RESERVED.</small>		DMN: R. GRZYBOWSKI CHK: M. PERCHERKE APVD: M. PERCHERKE	T11FEB05 T11FEB05 NAME: RIGHT ANGLE HEADER ASSEMBLY W/ LATCH RECIEVERS MULTI-BEAM XL
DIMENSIONS: INCHES 0 PLC ±.01 1 PLC ±.01 2 PLC ±.01 3 PLC ±.005 4 PLC ±.002 ANGLES ±.0020		TOLERANCES UNLESS OTHERWISE SPECIFIED: FINISH:	Tyco Electronics Corporation Shanghai, P.R. 200233
MATERIAL:		WEIGHT:	SIZE: 108-1973 APPLICATION SPEC: 114-13038 WEIGHT:
CUSTOMER DRAWING		SCALE: 4:1	SHEET 2 OF 4 REV: C1



LOC	DIST	REVISIONS			
P	LTH	DESCRIPTION	DATE	OWN	APVD
ES	00	SEE SHEET 1			

PART NUMBER	ROWS	POWER	
		P1	P2
6450129-7	D C B A	PM	PM
2P		HD	HD

PART NUMBER	ROWS	POWER		
		P1	P2	P3
6450129-8	D C B A	PM	PM	PM
3P		HD	HD	HD



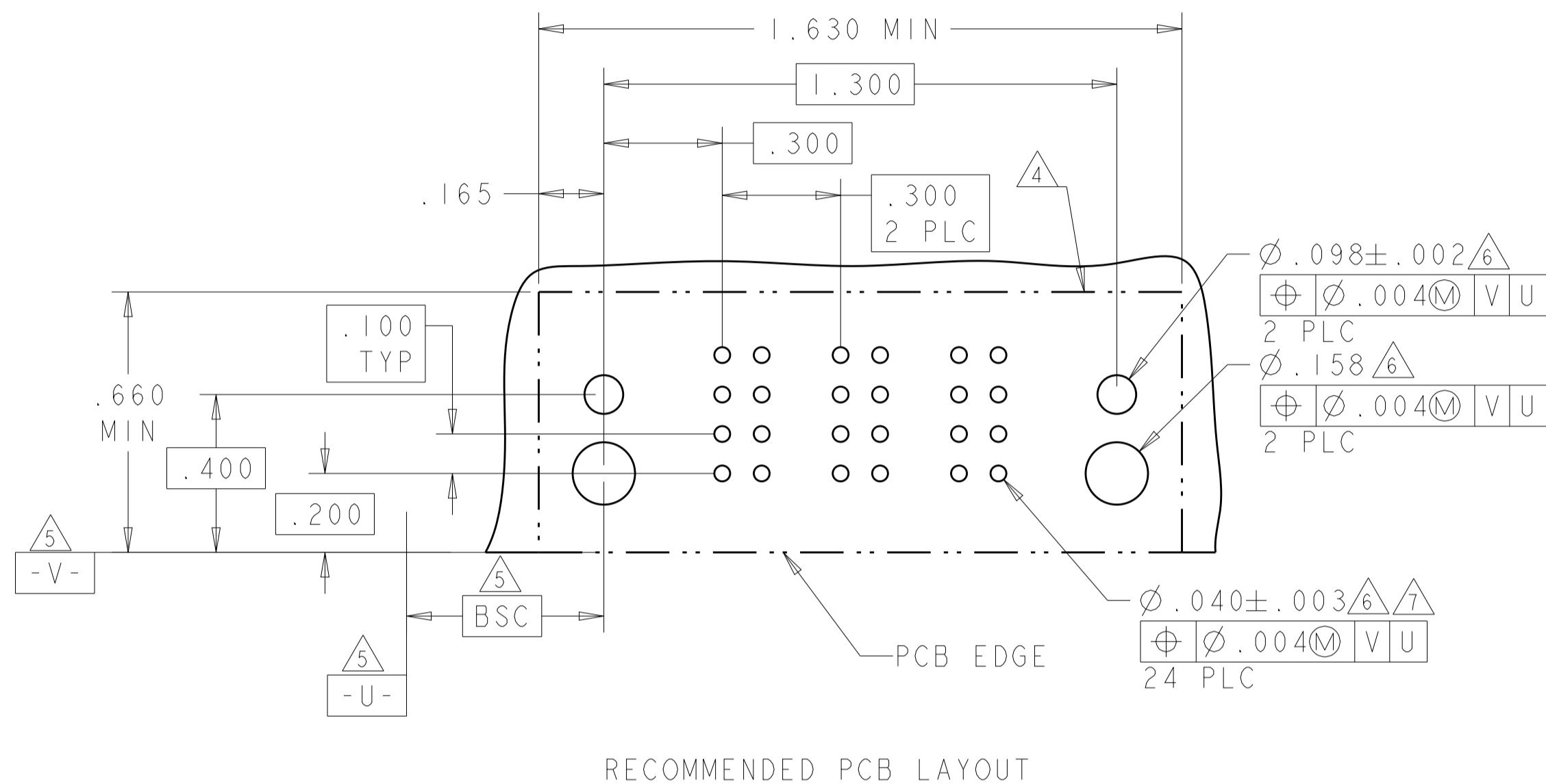
PART NUMBER	ROWS	POWER							
		P1	P2	P3	P4	P5	P6	P7	P8
6450129-9	D C B A	PM	PM	PM	PM	PM	PM	PM	PM
8P		HD							HD

DIMENSIONS: INCHES 		TOLERANCES UNLESS OTHERWISE SPECIFIED: 0 PLC ±. 1 PLC ±.01 2 PLC ±.01 3 PLC ±.005 4 PLC ±.0020 ANGLES ±.020°		DWN: R. GRZYBOWSKI CHK: M. PERCHERKE APVD: M. PERCHERKE PRODUCT SPEC: 108-1973 APPLICATION SPEC: 114-13038 WEIGHT:		I1FEB05 I1FEB05 NAME: RIGHT ANGLE HEADER ASSEMBLY W/ LATCH RECEIVERS MULTI-BEAM XL SIZE: A1 CAGE CODE: 00779 DRAWING NO: 6450129 RESTRICTED TO:	
MATERIAL:		FINISH:		Tyco Electronics Corporation Shanghai, P.R. 200233		SCALE: 4:1 SHEET: 3 OF 4 REV: C1	

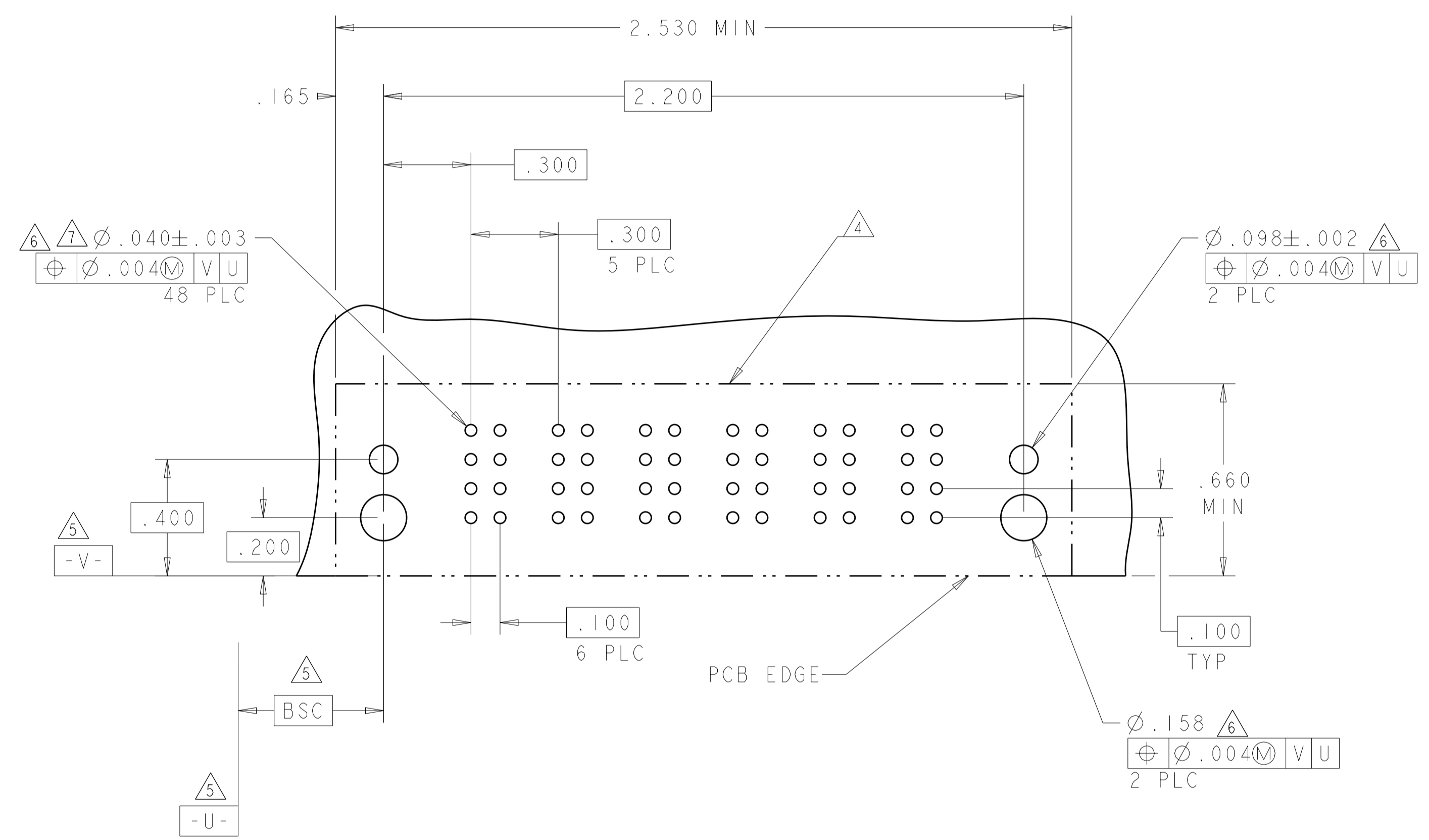
LOC	DIST	REVISIONS			
P	LTN	DESCRIPTION	DATE	DMN	APVD
-	-	SEE SHEET 1	-	-	-

PART NUMBER	ROWS	POWER		
		P1	P2	P3
1-6450129-0	D C B A	PM	PM	PM
3ACP		HD		HD

PART NUMBER	ROWS	POWER					
		P1	P2	P3	P4	P5	P6
1-6450129-1	D C B A	PM	PM	PM	PM	PM	PM
6ACP		HD					HD



RECOMMENDED PCB LAYOUT



RECOMMENDED PCB LAYOUT

<small>THIS DRAWING IS UNPUBLISHED. RELEASED FOR PUBLICATION BY TYCO ELECTRONICS CORPORATION. ALL RIGHTS RESERVED.</small>		DWN: R. GRZYBOWSKI CHK: M. PERCHERKE APVD: M. PERCHERKE	TITFEB05 TITFEB05 NAME: M. PERCHERKE	Tyco Electronics Corporation Shanghai, P.R. 200233
DIMENSIONS: INCHES	TOLERANCES UNLESS OTHERWISE SPECIFIED: 0 PLC ±. 1 PLC ±.01 2 PLC ±.01 3 PLC ±.005 4 PLC ±.0020 ANGLES ±.2°	PRODUCT SPEC: 108-1973 APPLICATION SPEC: 114-13038	SIZE: A CAGE CODE: 00779 DRAWING NO: 6450129	RESTRICTED TO: - SCALE: 4:1 SHEET: 4 OF 4 REV: C1
MATERIAL: - FINISH: -		WEIGHT: - CUSTOMER DRAWING		