



Chipsmall Limited consists of a professional team with an average of over 10 year of expertise in the distribution of electronic components. Based in Hongkong, we have already established firm and mutual-benefit business relationships with customers from,Europe,America and south Asia,supplying obsolete and hard-to-find components to meet their specific needs.

With the principle of “Quality Parts,Customers Priority,Honest Operation,and Considerate Service”,our business mainly focus on the distribution of electronic components. Line cards we deal with include Microchip,ALPS,ROHM,Xilinx,Pulse,ON,Everlight and Freescale. Main products comprise IC,Modules,Potentiometer,IC Socket,Relay,Connector.Our parts cover such applications as commercial,industrial, and automotives areas.

We are looking forward to setting up business relationship with you and hope to provide you with the best service and solution. Let us make a better world for our industry!



Contact us

Tel: +86-755-8981 8866 Fax: +86-755-8427 6832

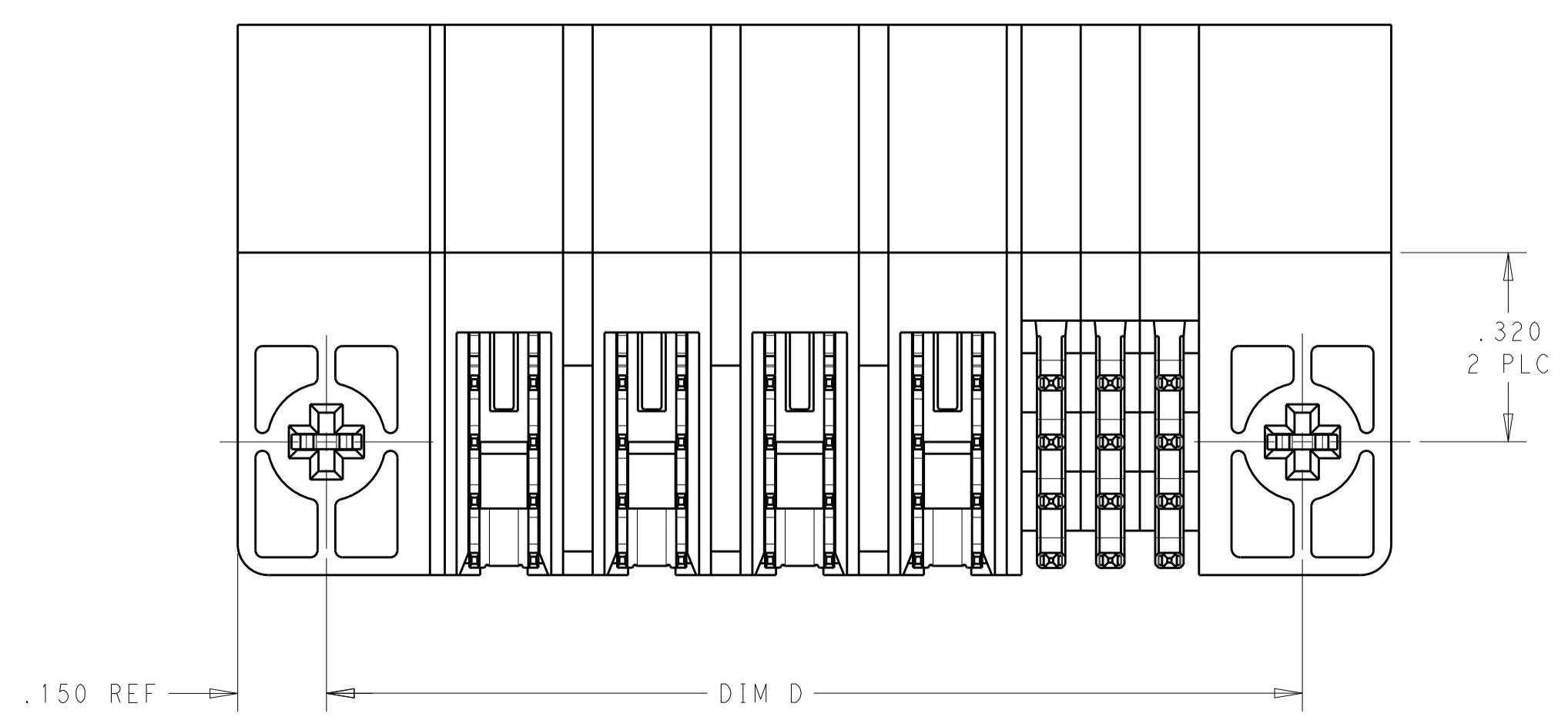
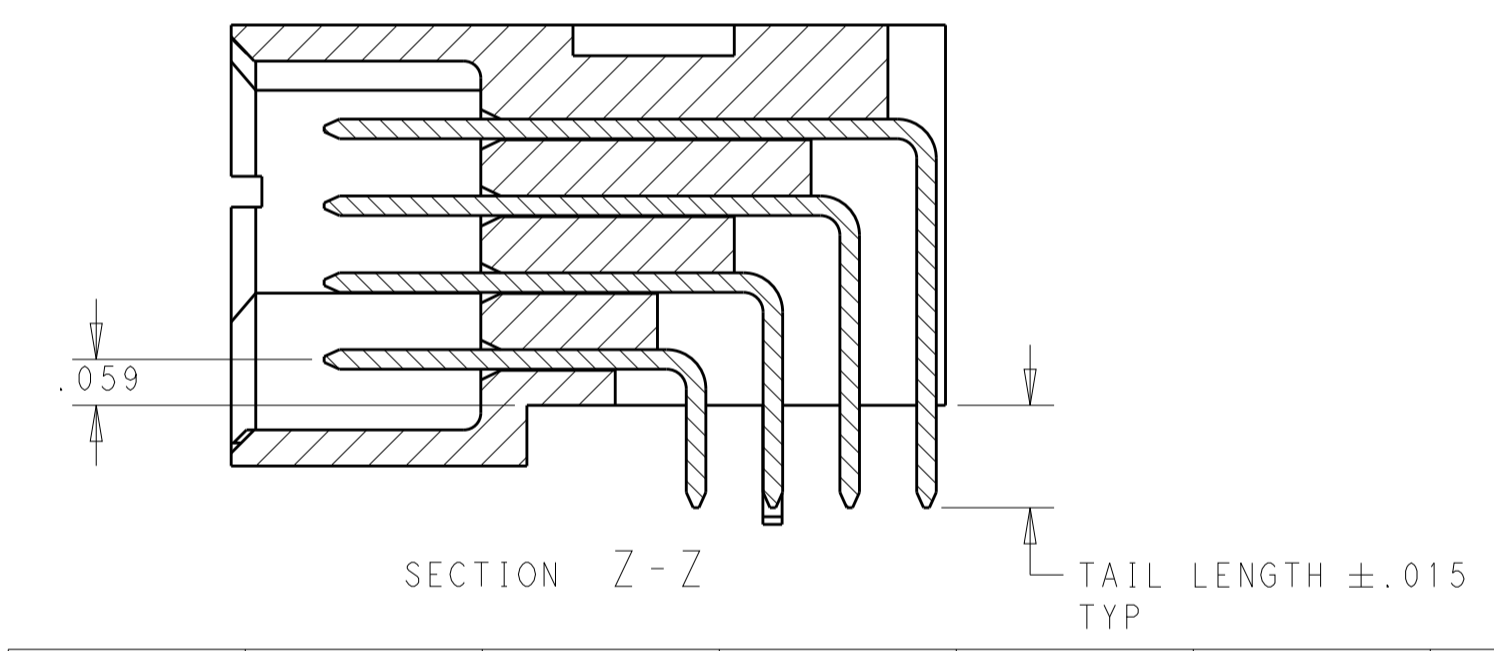
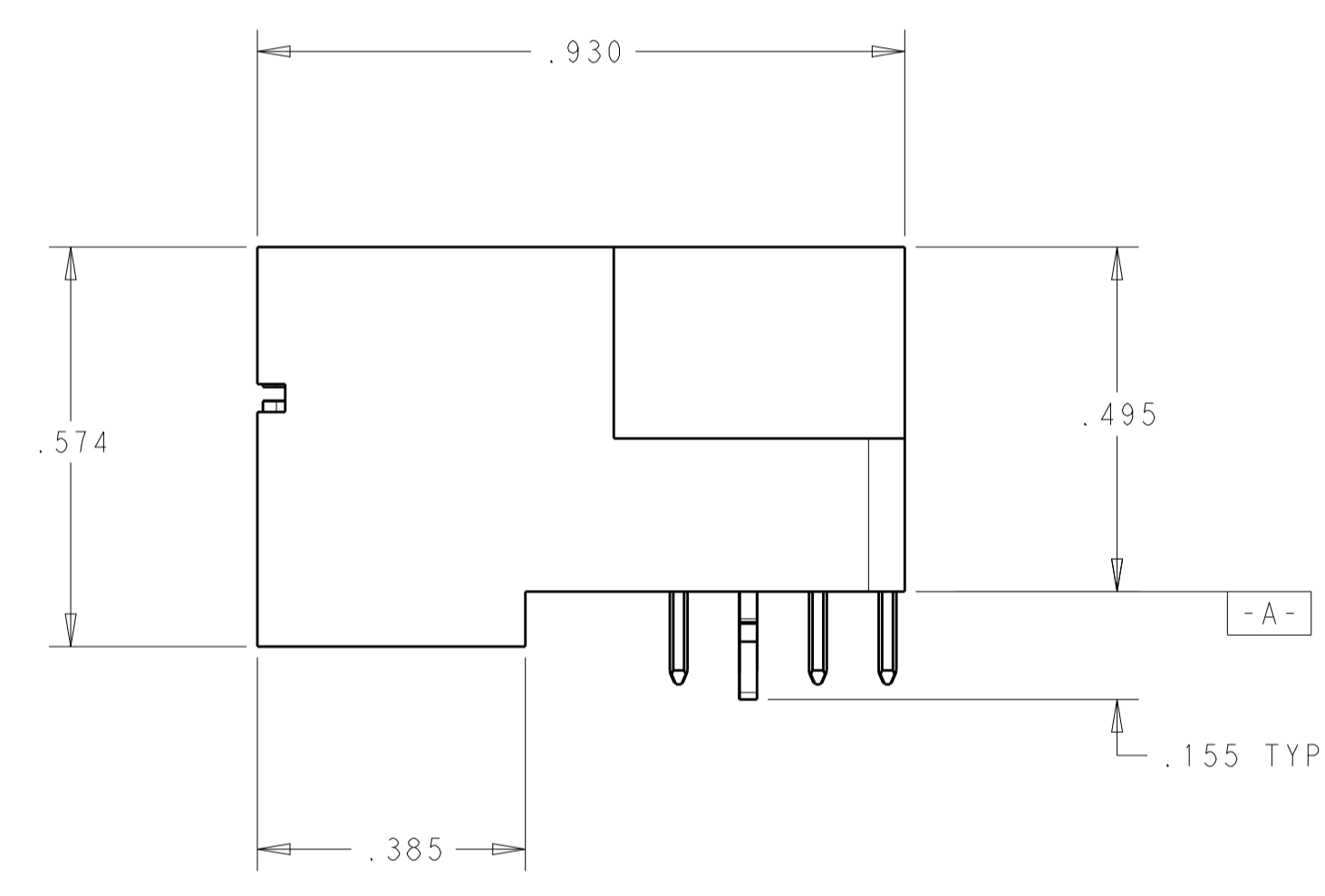
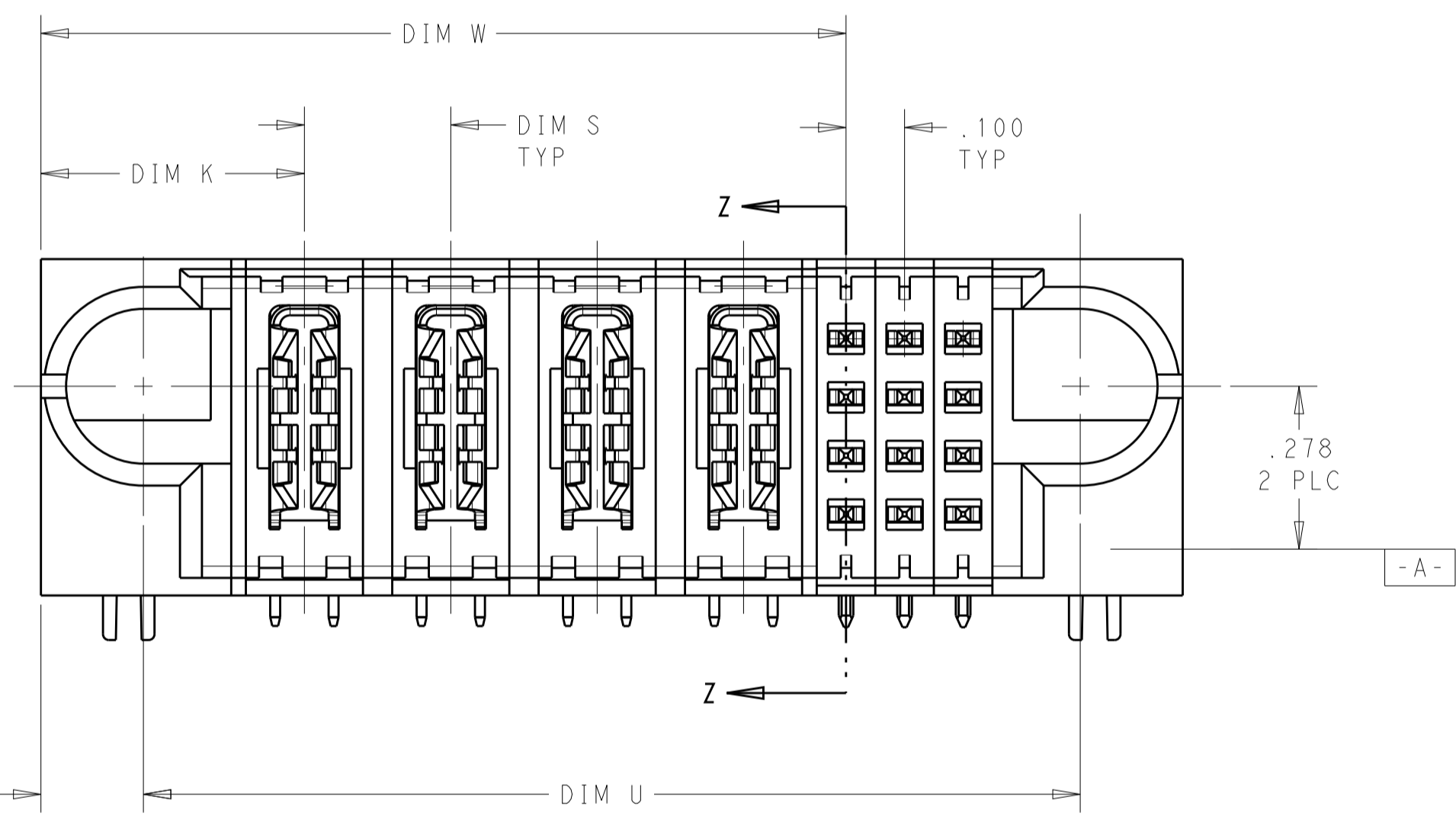
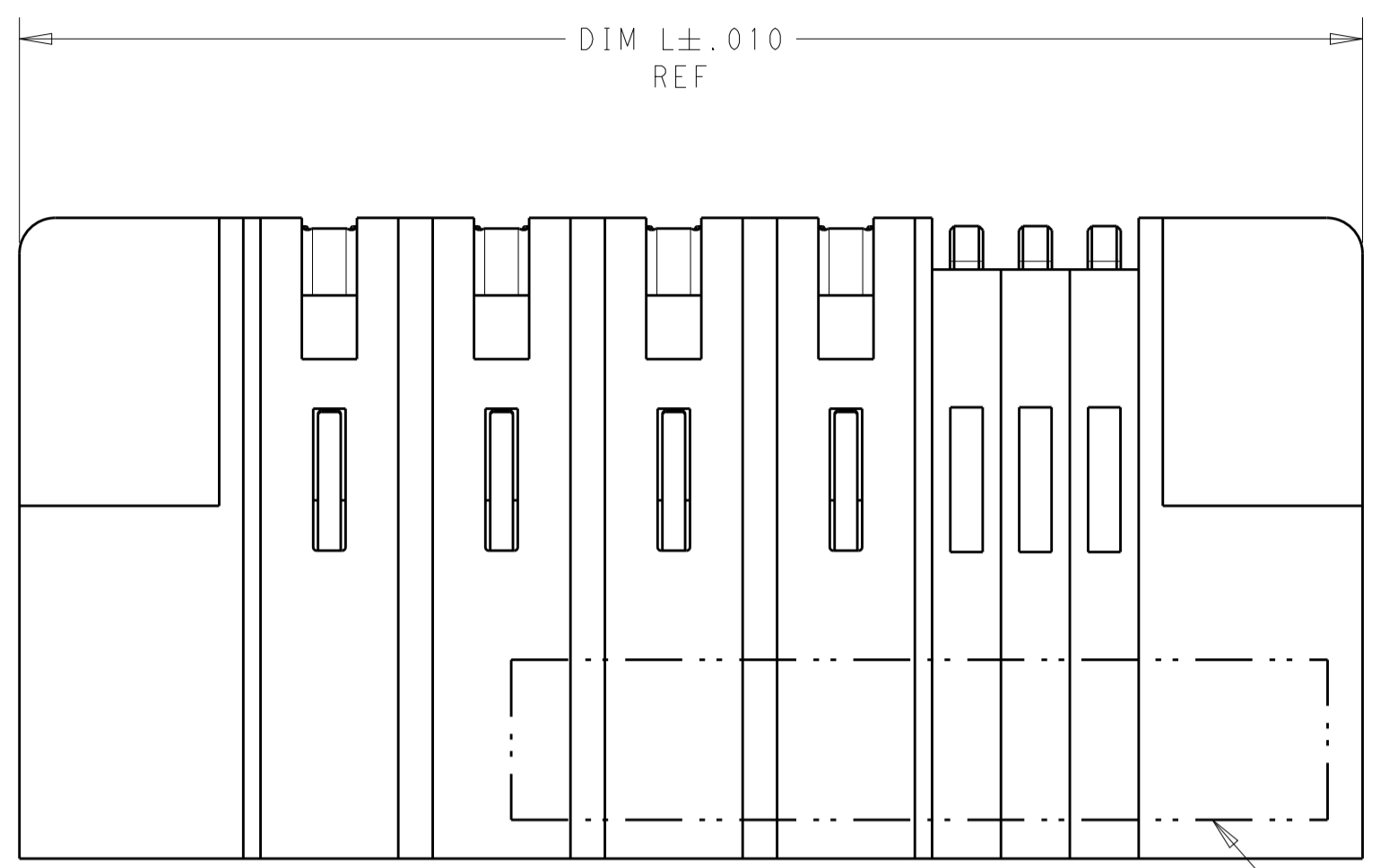
Email & Skype: info@chipsmall.com Web: www.chipsmall.com

Address: A1208, Overseas Decoration Building, #122 Zhenhua RD., Futian, Shenzhen, China



LOC		DIST		REVISIONS			
GP	00	REV	DATE	BY	CHK	APPV	
E		REV PER ECR-10-008270	16APR2010	IL	SY		
E1		ADDED THE DASH NUMBER -25	19MAR2012	ML	SZ		

- 1 "AMP" TRADEMARK, PART NUMBER, AND DATE CODE TO BE MARKED IN AREA SHOWN.
- 2 MATERIAL:
HOUSING - GLASS FILLED HIGH TEMP THERMO PLASTIC, BLACK, UL94 V-0
SIGNAL CONTACT - COPPER ALLOY
POWER CONTACT - HIGH CONDUCTIVITY COPPER ALLOY
- 3 CONTACT PLATING: NOBLE METAL PLATING ON CONTACT FUNCTIONAL AREA OF POWER AND SIGNAL CONTACTS
- 4 MECHANICAL CONNECTOR KEEP OUT ZONE
- 5 DATUM AND BASIC DIMENSIONS ESTABLISHED BY CUSTOMER
- 6 PCB - ALL HOLE DIAMETERS ARE FINISHED HOLE SIZES
- 7 PCB - .0453+/- .0010 DRILLED HOLES PLATED WITH .0003 MIN Sn OVER .001 TO .003 PLATING TO ACHIEVE A .040 DIA HOLE
- 8 VARIABLE DIMENSION SHOWN ON TABLE.
- 9 NOT RELEASED FOR PRODUCTION.



	DIM U	DIM S	DIM W	DIM D	DIM K	DIM L	DESCRIPTION	PART NUMBER
E1	3.575	8	3.125	3.625	.450	3.925	5ACP+6HDP + 20S	2-6450132-5
E	2.950	.200	2.425	3.000	.450	3.300	10P + 24S	2-6450132-4
9	2.950	.200	2.425	3.000	.450	3.300	10P + 24S	2-6450132-3
	3.350	.200	2.825	3.400	.450	3.700	12HDP + 24S	2-6450132-2
9	2.950	.200	2.425	3.000	.450	3.300	10P + 24S	2-6450132-1
	2.150	.200	1.625	2.200	.450	2.500	6P + 24S	2-6450132-0
9	3.325	8	2.800	3.375	.425	3.675	3ACP + 6P + 24S	1-6450132-9
	2.075	.300	1.550	2.125	.475	2.425	4ACP + 24S	1-6450132-8
	4.000	-	.375	4.050	-	4.350	148S	1-6450132-7
	4.700	.250	3.925	4.750	.450	5.050	14P + 32S	1-6450132-5
	2.825	8	2.300	2.875	.475	3.175	3ACP + 4P + 24S	1-6450132-3
	2.900	.250	2.375	2.950	.450	3.250	8P + 24S	1-6450132-2
	2.250	.250	1.975	2.300	.475	2.600	6P + 12S	6450132-8
	2.675	.250	2.125	2.725	.450	3.025	7P + 24S	6450132-7
	1.100	-	.575	1.150	.425	1.450	1P + 24S	6450132-6
	2.925	.250	2.375	2.975	.450	3.275	8P + 24S	6450132-5
	4.600	.250	3.875	4.650	.450	4.950	14P + 32S	6450132-4
	3.000	.250	2.375	3.050	.450	3.350	8P + 28S	6450132-3
	1.600	.250	1.375	1.650	.450	1.950	4P + 12S	6450132-2
	1.600	.250	1.375	1.650	.450	1.950	4P + 12S	6450132-1
	DIM U	DIM S	DIM W	DIM D	DIM K	DIM L	DESCRIPTION	PART NUMBER

THIS DRAWING IS A CONTROLLED DOCUMENT. DWG: R.GRZYBOWSKI TOFEB05
 CHK: M.PERCHEKKE TOFEB05
 APVD: M.PERCHEKKE

DIMENSIONS: INCHES
 TOLERANCES UNLESS OTHERWISE SPECIFIED:
 0 PLC ±.01
 1 PLC ±.01
 2 PLC ±.01
 3 PLC ±.005
 4 PLC ±.002
 ANGLES ±.020

MATERIAL: 2 FINISH: 3

THIS DRAWING IS A CONTROLLED DOCUMENT. DWG: R.GRZYBOWSKI TOFEB05
 CHK: M.PERCHEKKE TOFEB05
 APVD: M.PERCHEKKE

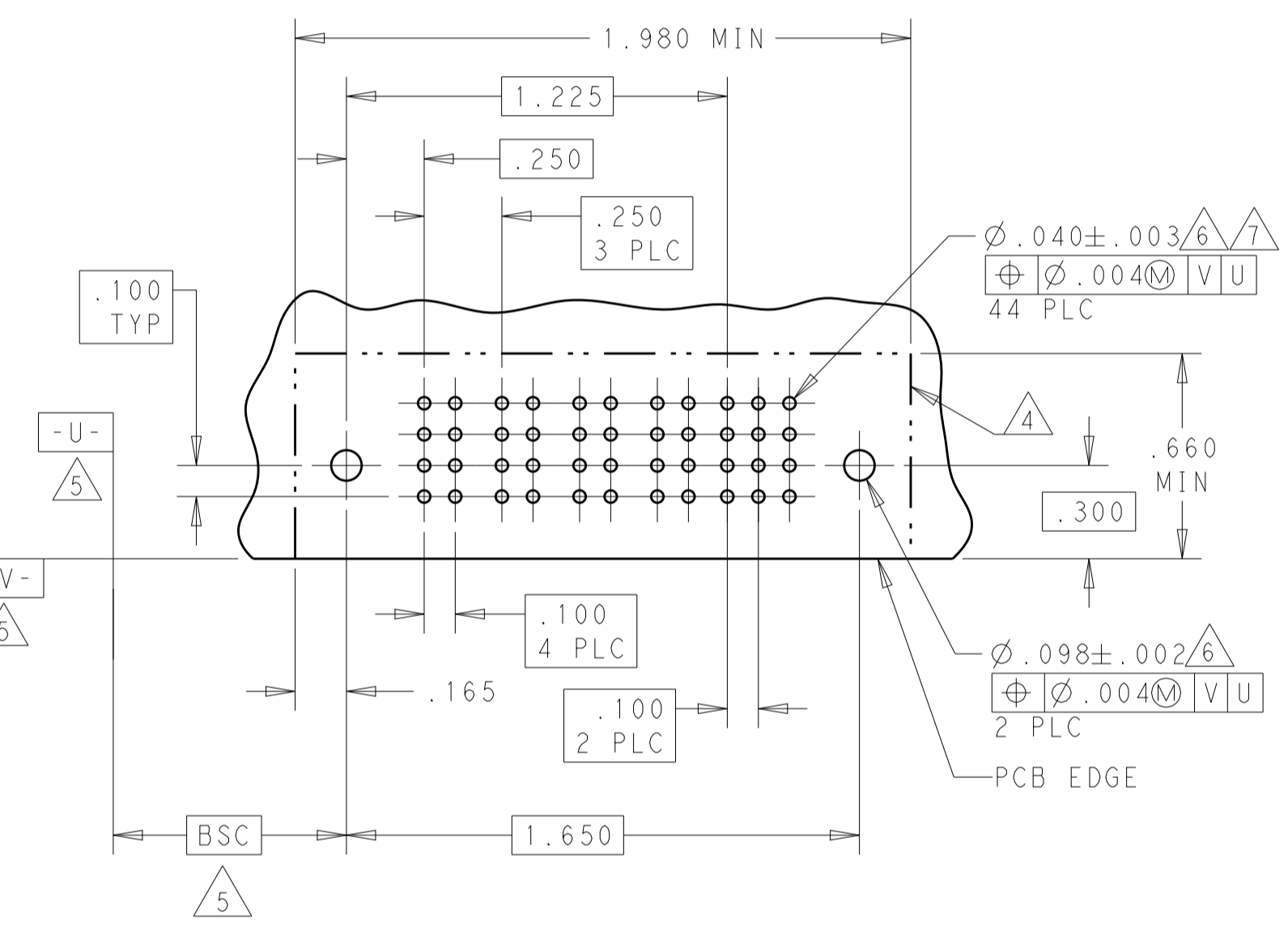
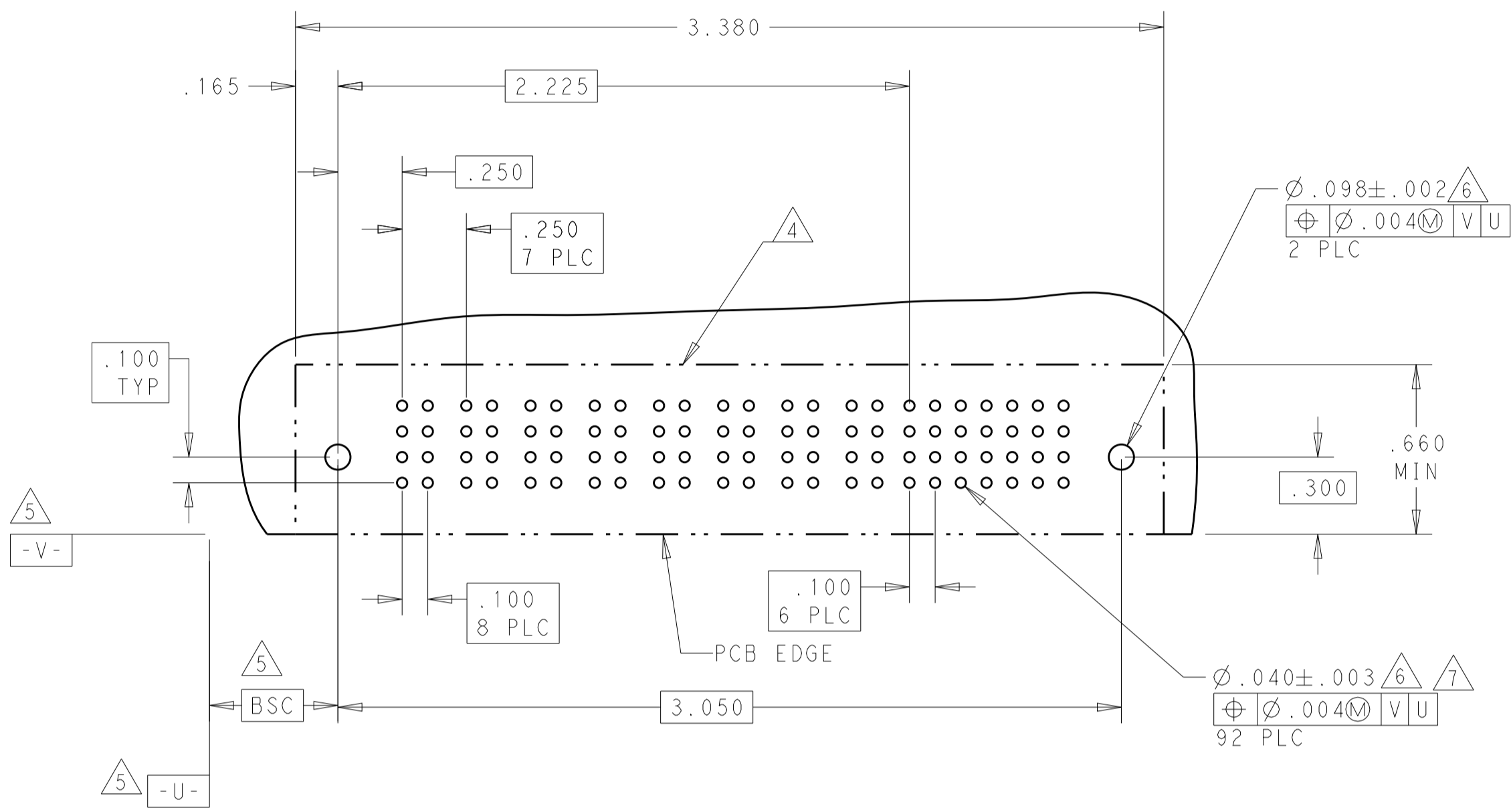
NAME: RIGHT ANGLE HEADER ASSEMBLY W/GUIDES MULTI-BEAM XL
 PRODUCT SPEC: 108-1973
 APPLICATION SPEC: 114-13038

SIZE: A1 CAGE CODE: 6450132 DRAWING NO: 100779
 WEIGHT: CUSTOMER DRAWING SCALE: 1:1 SHEET 1 OF 9 REV: E1

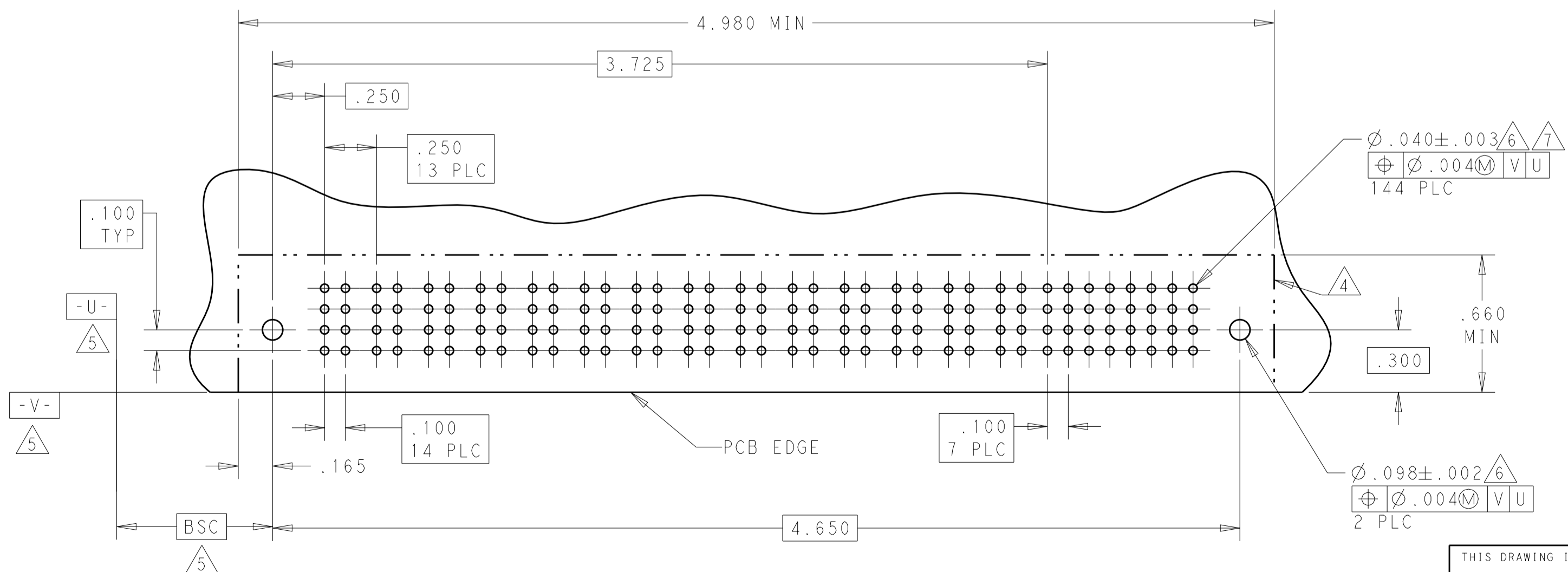
PART NUMBER	ROWS	POWER				SIGNAL		
		P1	P2	P3	P4	1	2	3
6450132-1	D C B A	PM	PM	PM	J	E	J	
					K	F	F	
					N	N	N	
					S	S	S	
4P + 12S								

PART NUMBER	ROWS	POWER				SIGNAL		
		P1	P2	P3	P4	1	2	3
6450132-2	D C B A	PM	PM	PM	J	E	J	
					K	F	F	
					N	N	N	
					S	S	S	
4P + 12S								

PART NUMBER	ROWS	POWER								SIGNAL						
		P1	P2	P3	P4	P5	P6	P7	P8	1	2	3	4	5	6	7
6450132-3	D C B A	PM	PM	PM	PM	PM	PM	PM	PM	E	E	E	E	E	E	E
										F	F	F	F	F	F	F
										G	G	G	G	G	G	G
										S	S	S	S	H	H	H
8P + 28S																



PART NUMBER	ROWS	POWER														SIGNAL									
		P1	P2	P3	P4	P5	P6	P7	P8	P9	P10	P11	P12	P13	P14	1	2	3	4	5	6	7	8		
6450132-4	D C B A	PM	PM	PM	PM	PM	PM	PM	PM	PM	PM	PM	PM	PM	J	J	J	E	J	J	J	J			
															K	K	K	F	K	K	K	K			
															N	N	N	N	N	N	N	N			
															S	S	S	S	S	S	S	S			
14P + 32S																									



Z	STD	.090	D
Y	STD	.090	C
R	STD	.090	B
O	STD	.090	A
A4	MLBF	.090	D
A3	MLBF	.090	C
A2	MLBF	.090	B
A1	MLBF	.090	A
E	MLBF	.135	D
F	MLBF	.135	C
G	MLBF	.135	B
H	MLBF	.135	A
J	STD	.135	D
K	STD	.135	C
N	STD	.135	B
S	STD	.135	A
CODE	MATING SEQUENCE	TAIL LENGTH	ROW
SIGNAL CONTACT			

PA	.090
PM	.135
CODE	TAIL LENGTH
POWER CONTACT	

THIS DRAWING IS A CONTROLLED DOCUMENT.

DIMENSIONS: INCHES

TOLERANCES UNLESS OTHERWISE SPECIFIED:

0 PLC	±
1 PLC	±.01
2 PLC	±.005
3 PLC	±.002
4 PLC	±.002
ANGLES	±.020

MATERIAL: FINISH:

OWN: R. GRZYBOWSKI
 CHK: M. PERCHERKE
 APVD: M. PERCHERKE

NAME: RIGHT ANGLE HEADER ASSEMBLY W/GUIDES MULTI-BEAM XL

PRODUCT SPEC: 108-1973
 APPLICATION SPEC: 114-13038

SIZE: A1
 CAGE CODE: 6450132
 DRAWING NO: 100779

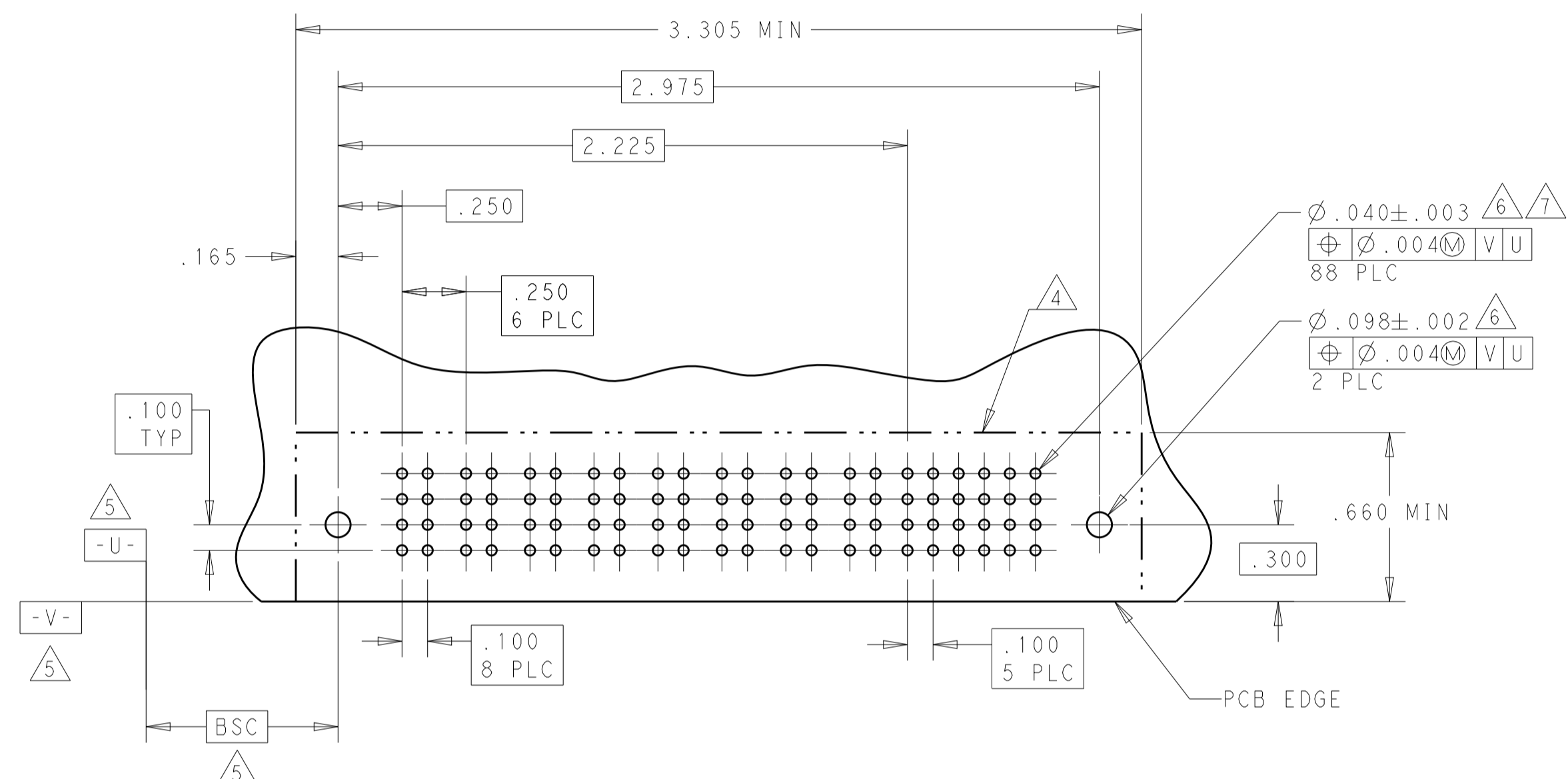
RESTRICTED TO: 2 OF 9 SHEETS

SCALE: 1:1

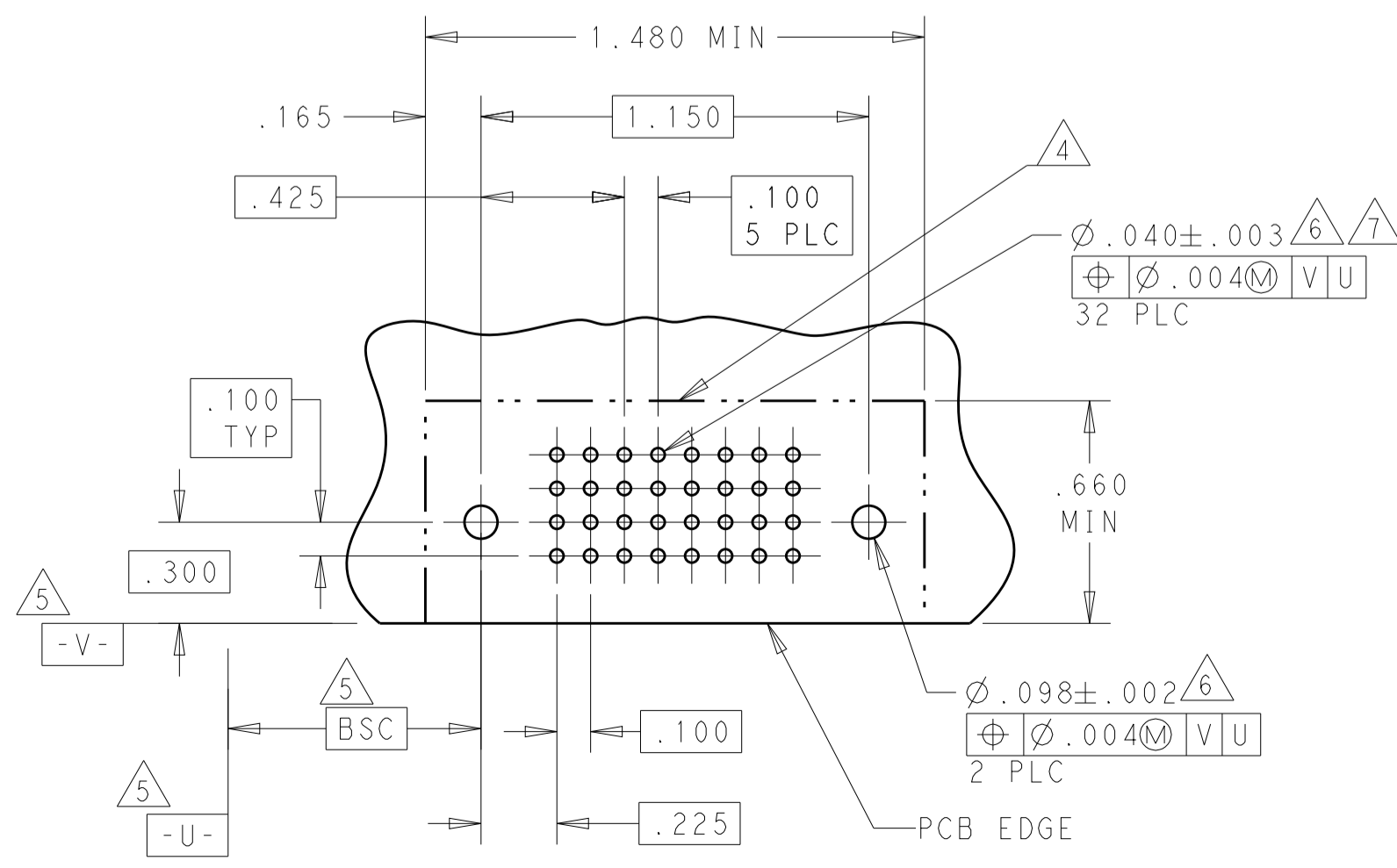
CUSTOMER DRAWING

LOC	DIST	REV	DATE	APPD
GP	00			
DESCRIPTION		REVISIONS		
SEE SHEET 1				

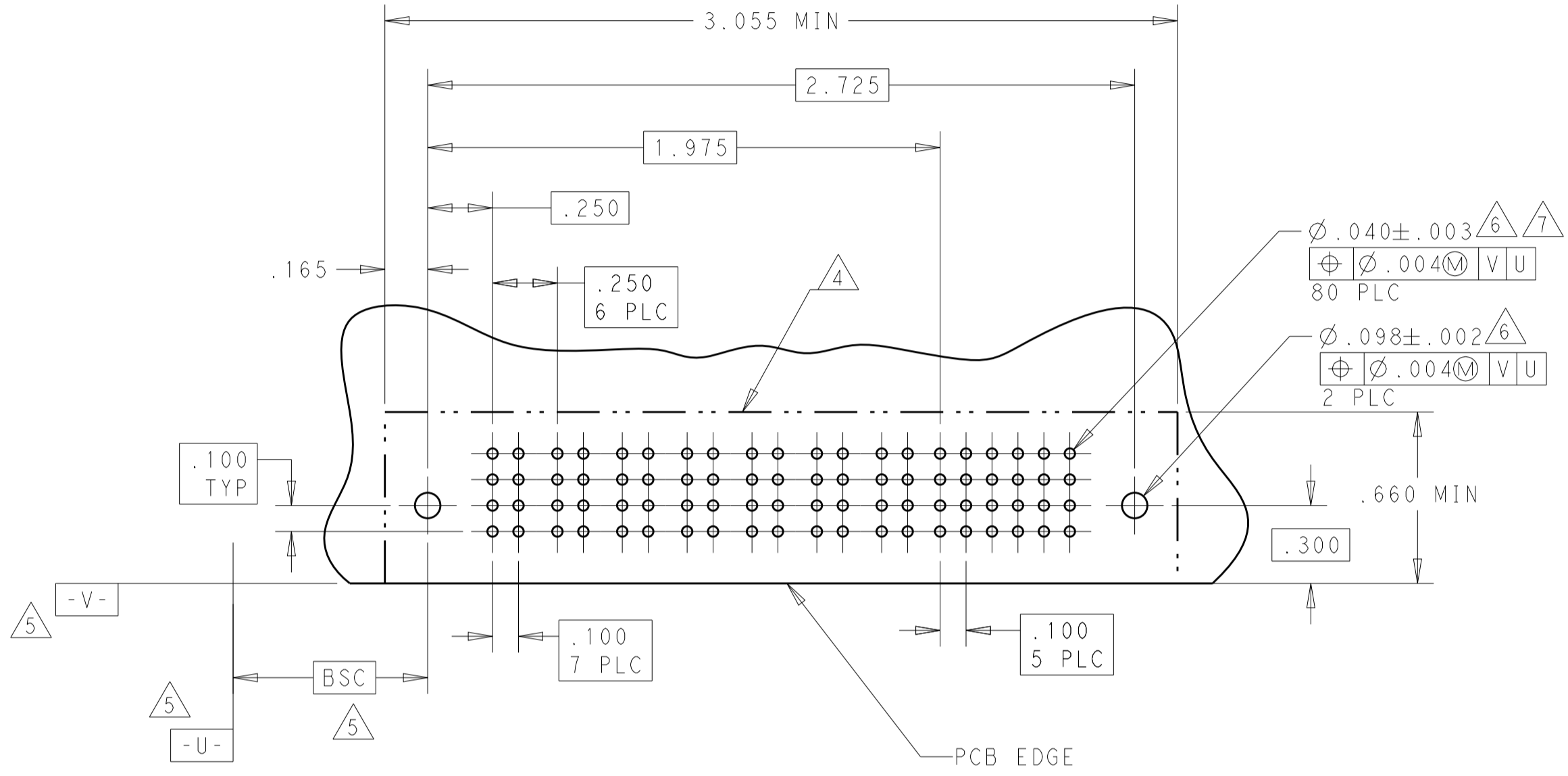
PART NUMBER	ROWS	POWER						SIGNAL							
		P1	P2	P3	P4	P5	P6	P7	P8	1	2	3	4	5	6
6450132-5	D C B A	PM	PM	PM	PM	PM	PM	PM	PM	J	J	J	J	E	E
										K	K	K	K	F	F
										N	N	N	N	G	G
										S	S	S	S	H	H
8P + 24S															



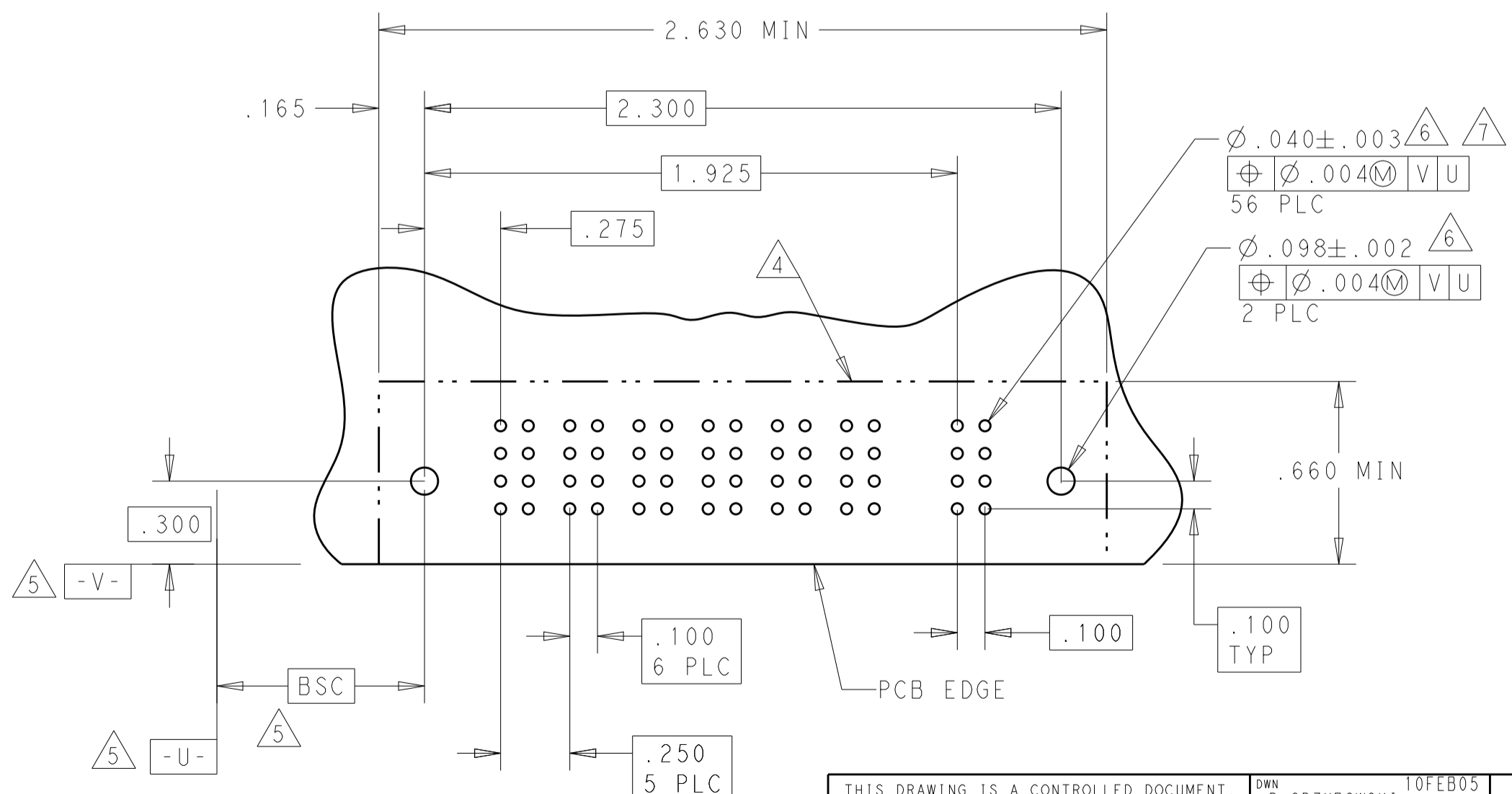
PART NUMBER	ROWS	POWER						SIGNAL						
		P1	1	2	3	4	5	6	1	2	3	4	5	6
6450132-6	D C B A	PM	E	E	E	E	E	J						
			F	F	F	F	F	F						
			G	G	G	G	G	G						
			H	H	H	H	H	H						
1P + 24S														



PART NUMBER	ROWS	POWER						SIGNAL						
		P1	P2	P3	P4	P5	P6	P7	1	2	3	4	5	6
6450132-7	D C B A	PM	PM	PM	PM	PM	PM	PM	J	J	E	J	J	J
									K	K	K	K	K	K
									N	N	N	N	N	N
									S	S	S	S	S	S
7P + 24S														



PART NUMBER	ROWS	POWER						SIGNAL		
		P1	P2	P3	P4	P5	P6	1	2	3
6450132-8	D C B A	PM	PM	PM	PM	PM	PM	E	E	
								F	F	
								G	G	
								H	H	
6P + 12S										



NO CONTACTS LOADED IN THIS COLUMN

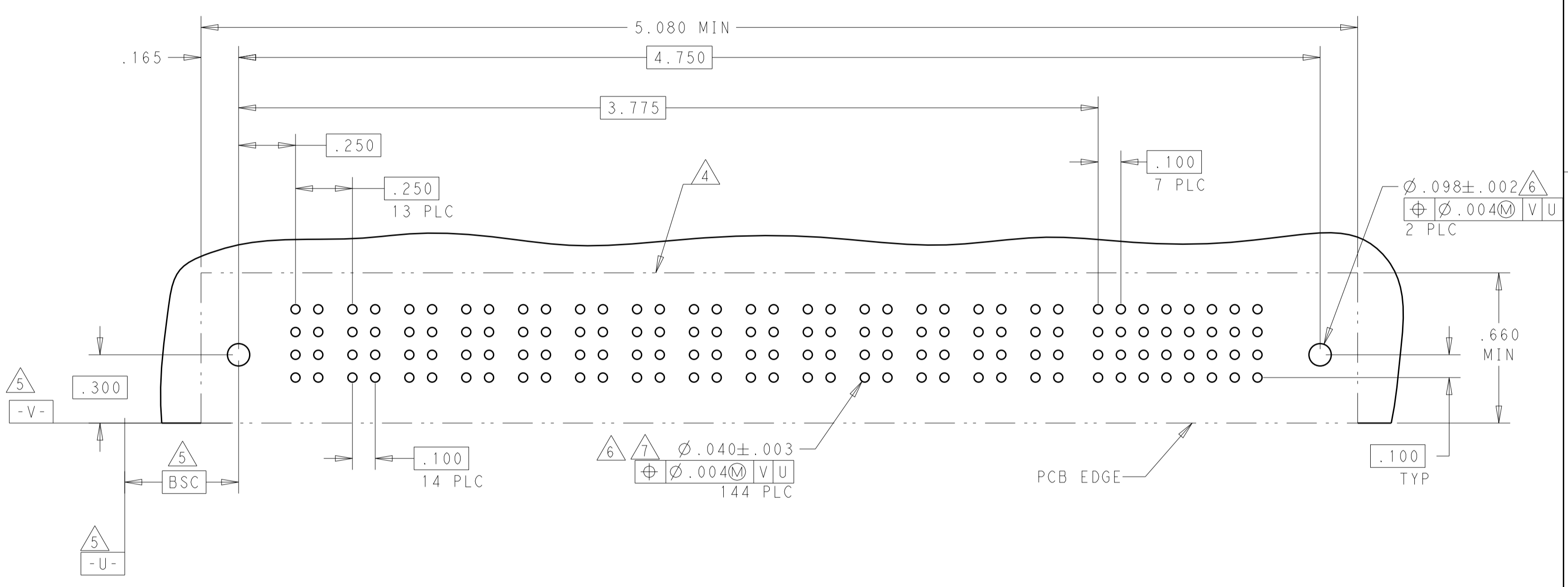
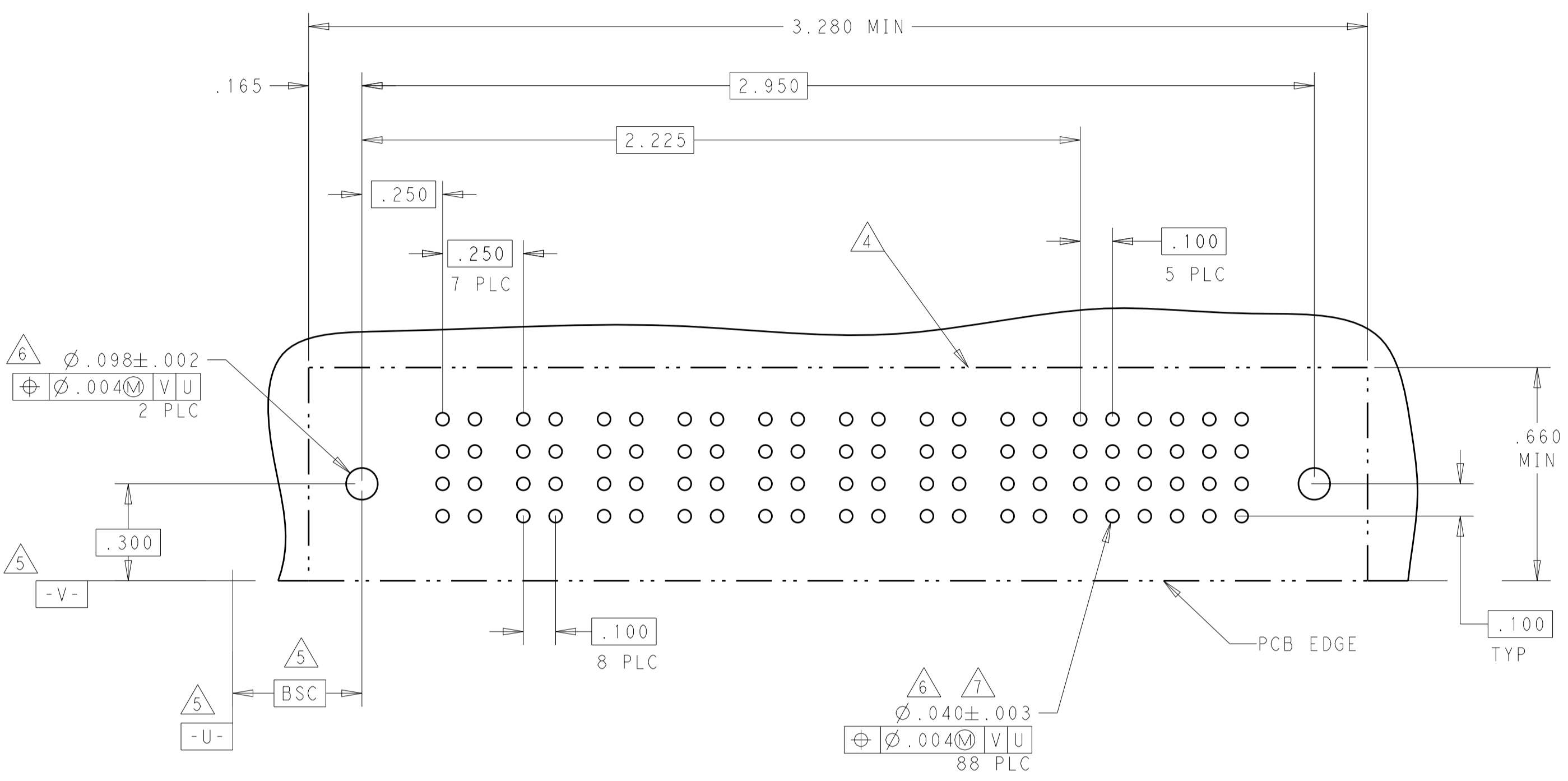
THIS DRAWING IS A CONTROLLED DOCUMENT. DIMENSIONS: INCHES. TOLERANCES UNLESS OTHERWISE SPECIFIED: 0 PLC ±.01, 1 PLC ±.01, 2 PLC ±.01, 3 PLC ±.005, 4 PLC ±.002, ANGLES ±.0020. MATERIAL: FINISH: THIS DRAWING IS A CONTROLLED DOCUMENT. DWG: R.GRZYBOWSKI, CHK: M.PERCHEKKE, APVD: M.PERCHEKKE. NAME: RIGHT ANGLE HEADER ASSEMBLY W/GUIDES MULTI-BEAM XL. PRODUCT SPEC: 108-1973. APPLICATION SPEC: 114-13038. WEIGHT: A100779. CUSTOMER DRAWING. SCALE: 1:1. SHEET 3 OF 9. REV: E1.

LOC	DIST	REV	DATE	APPV
GP	00			

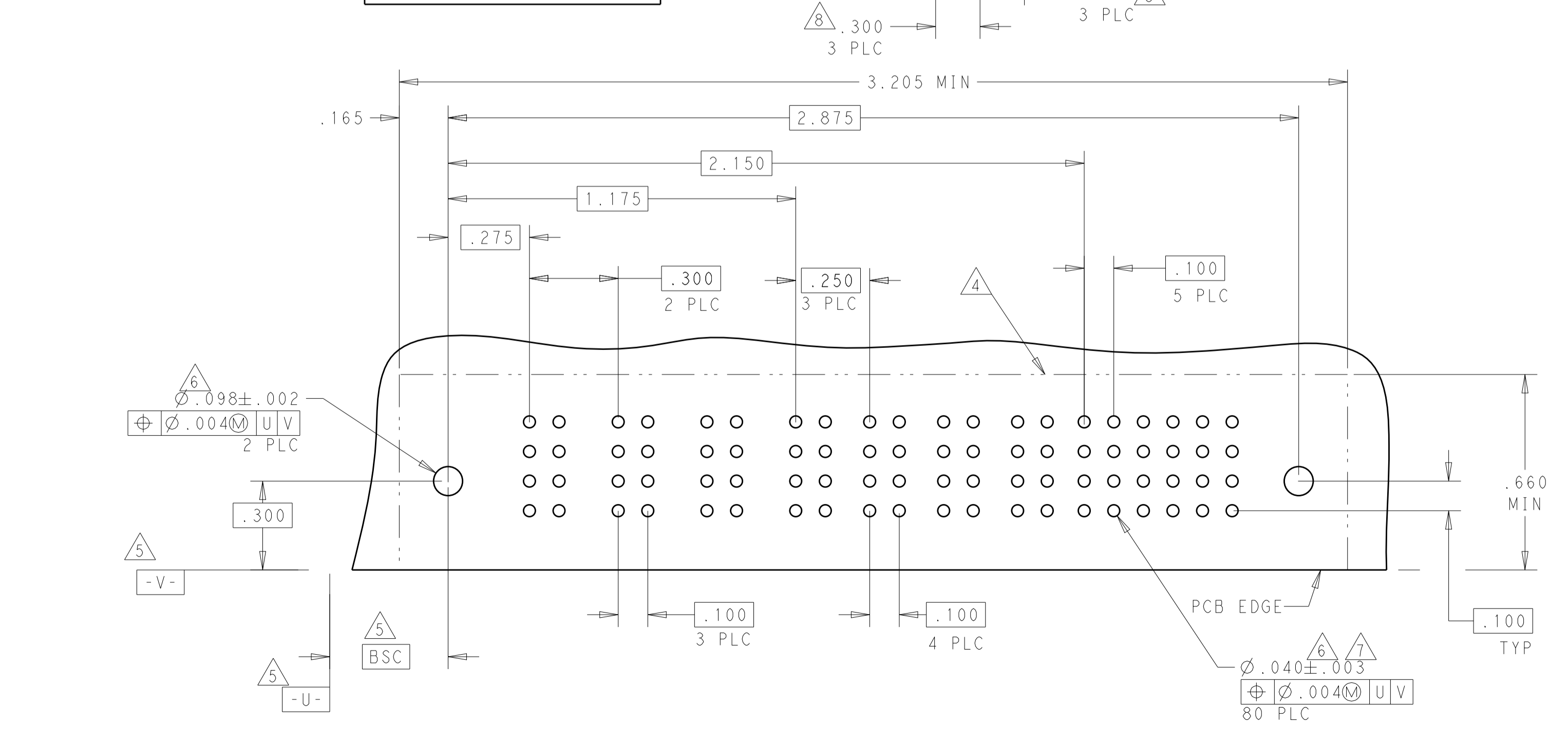
REVISIONS		DATE	OWN	APPV
1	SEE SHEET 1			

PART NUMBER	ROWS	POWER								SIGNAL					
		P1	P2	P3	P4	P5	P6	P7	P8	1	2	3	4	5	6
1-6450132-2	D C B A	PM	PM	PM	PM	PM	PM	PM	PM	J	J	J	J	E	E
		PM	PM	PM	PM	PM	PM	PM	PM	K	K	K	K	F	F
		PM	PM	PM	PM	PM	PM	PM	PM	N	N	N	N	G	G
		PM	PM	PM	PM	PM	PM	PM	PM	S	S	S	S	H	H
8P + 24S															

PART NUMBER	ROWS	POWER														SIGNAL							
		P1	P2	P3	P4	P5	P6	P7	P8	P9	P10	P11	P12	P13	P14	1	2	3	4	5	6	7	8
1-6450132-5	D C B A	PM	PM	PM	PM	PM	PM	PM	PM	PM	PM	PM	PM	PM	PM	E	J	J	J	E	J	J	J
		PM	PM	PM	PM	PM	PM	PM	PM	PM	PM	PM	PM	PM	PM	F	K	K	K	F	K	K	K
		PM	PM	PM	PM	PM	PM	PM	PM	PM	PM	PM	PM	PM	PM	N	N	N	N	N	N	N	N
		PM	PM	PM	PM	PM	PM	PM	PM	PM	PM	PM	PM	PM	PM	S	S	S	S	S	S	S	S
14P + 32S																							



PART NUMBER	ROWS	POWER							SIGNAL						
		P1	P2	P3	P4	P5	P6	P7	1	2	3	4	5	6	
1-6450132-3	D C B A	PM	PM	PM	PM	PM	PM	PM	J	J	J	J	J	E	
		PM	PM	PM	PM	PM	PM	PM	K	K	K	F	K	F	
		PM	PM	PM	PM	PM	PM	PM	N	G	N	N	N	G	
		PM	PM	PM	PM	PM	PM	PM	S	H	S	S	S	H	
3ACP + 4P + 24S															

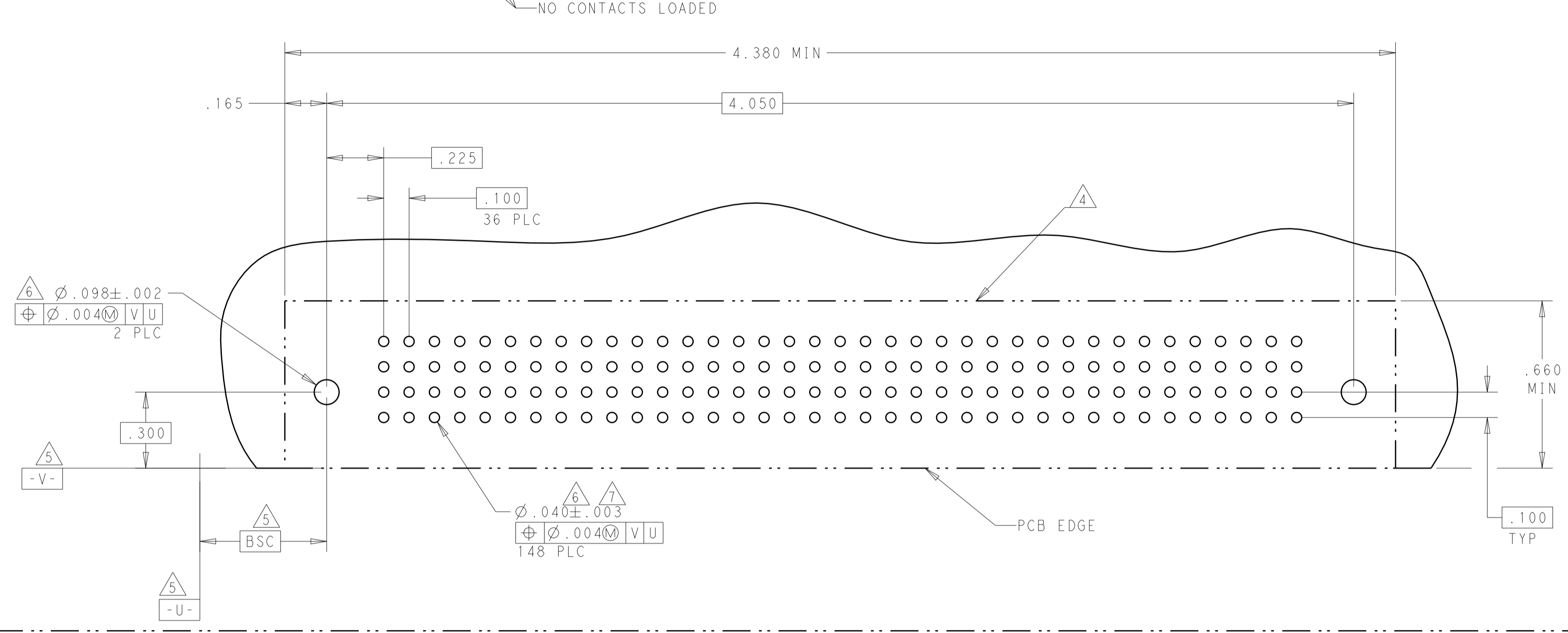


THIS DRAWING IS A CONTROLLED DOCUMENT.

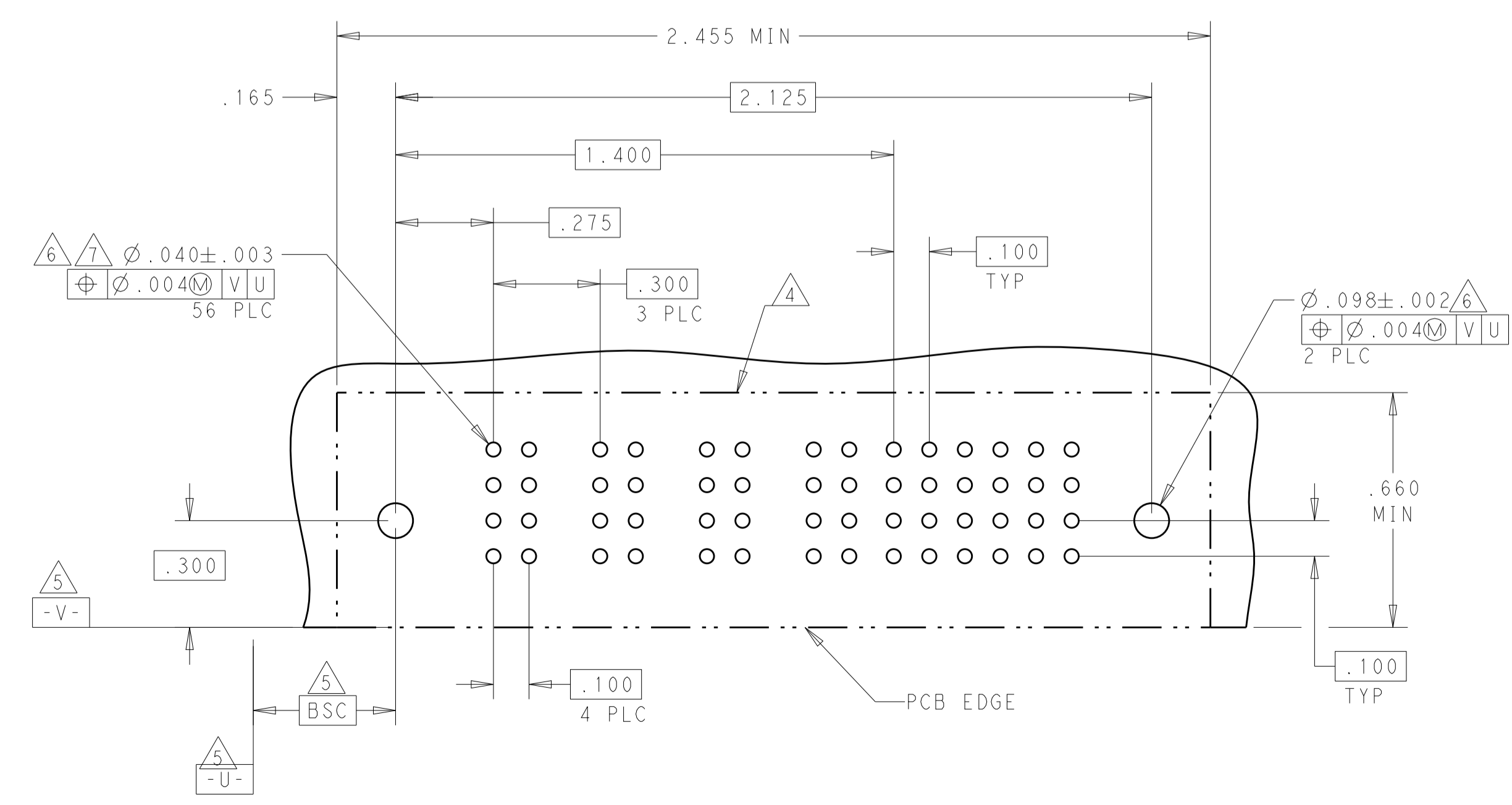
DIMENSIONS: INCHES	TOLERANCES UNLESS OTHERWISE SPECIFIED:	OWN: R. GRZYBOWSKI	TOFEB05	TE Connectivity
	0 PLC ±. 1 PLC ±.01 2 PLC ±.01 3 PLC ±.005 4 PLC ±.0020 ANGLES ±.2°	CHK: M. PERCHERKE	TOFEB05	
MATERIAL:	FINISH:	APVD: M. PERCHERKE	NAME: RIGHT ANGLE HEADER ASSEMBLY W/GUIDES MULTI-BEAM XL	RESTRICTED TO:
		PRODUCT SPEC: 108-1973	APPLICATION SPEC: 114-13038	SCALE: 1:1
		WEIGHT:	SIZE: A100779	SHEET: 4 of 9
		CUSTOMER DRAWING	DATE: 6/4/2013	REV: E1

LOC	DIST	REVISIONS					
GP	00	P	LTN	DESCRIPTION	DATE	DWN	APVD
		-		SEE SHEET 1		-	-

PART NUMBER	ROWS	SIGNAL																		SIGNAL																					
		1	2	3	4	5	6	7	8	9	10	11	12	13	14	15	16	17	18	19	20	21	22	23	24	25	26	27	28	29	30	31	32	33	34	35	36	37			
I-6450132-7	D				J	J	J	J	J	J	J	J	J	J	J	J	J	J	J	J	J	J	J	J	J	J	J	J	J	J	J	J	J	J	J	J	J	J	J		
	C				K	K	K	K	K	K	K	K	K	K	K	K	K	K	K	K	K	K	K	K	K	K	K	K	K	K	K	K	K	K	K	K	K	K			
	B				N	N	N	N	N	N	N	N	N	N	N	N	N	N	N	N	N	N	N	N	N	N	N	N	N	N	N	N	N	N	N	N	N	N	N		
	A				S	S	S	S	S	S	S	S	S	S	S	S	S	S	S	S	S	S	S	S	S	S	S	S	S	S	S	S	S	S	S	S	S	S			
148S		HD																																						HD	



PART NUMBER	ROWS	POWER				SIGNAL											
		P1	P2	P3	P4	1	2	3	4	5	6						
I-6450132-8	D					E	J	J	J	J	J						
	C					K	K	K	K	K	K						
	B					N	N	N	N	N	N						
	A					S	S	S	S	S	H						
4ACP + 24S		HD														HD	

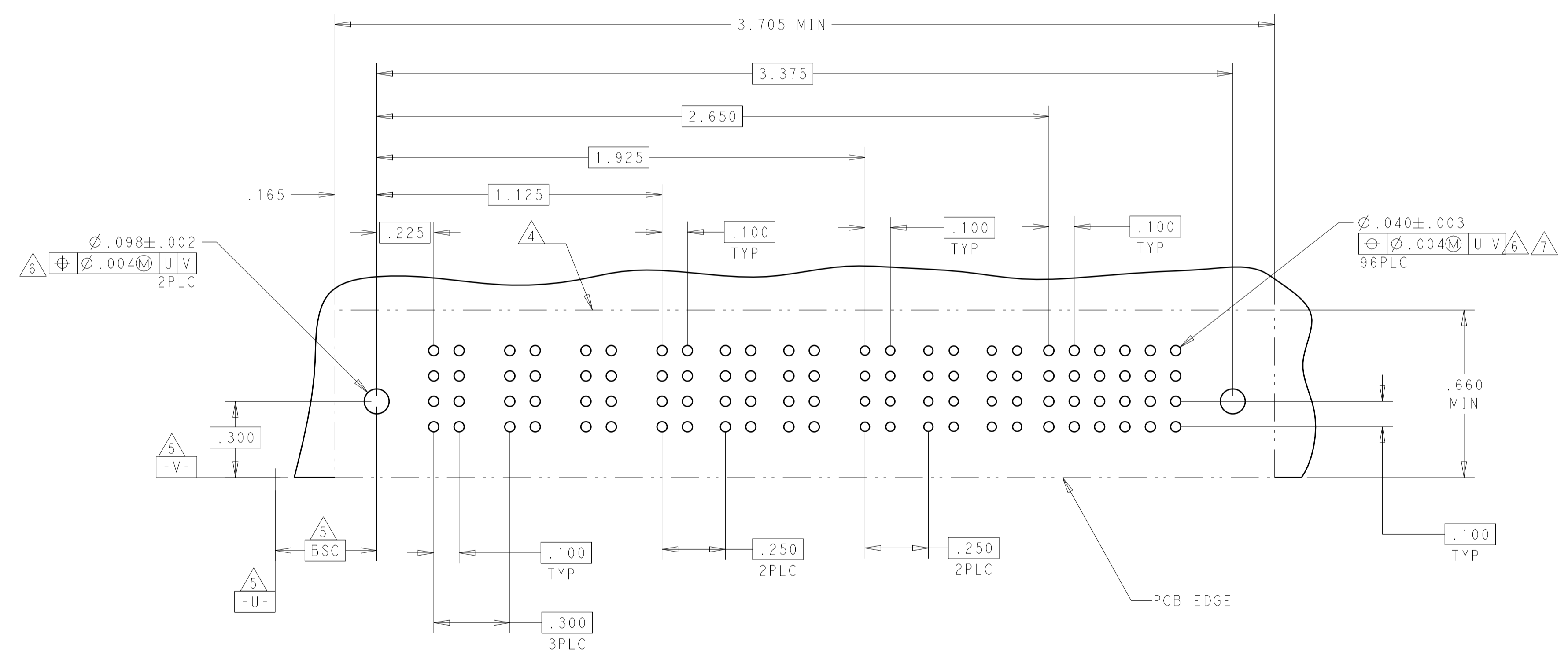
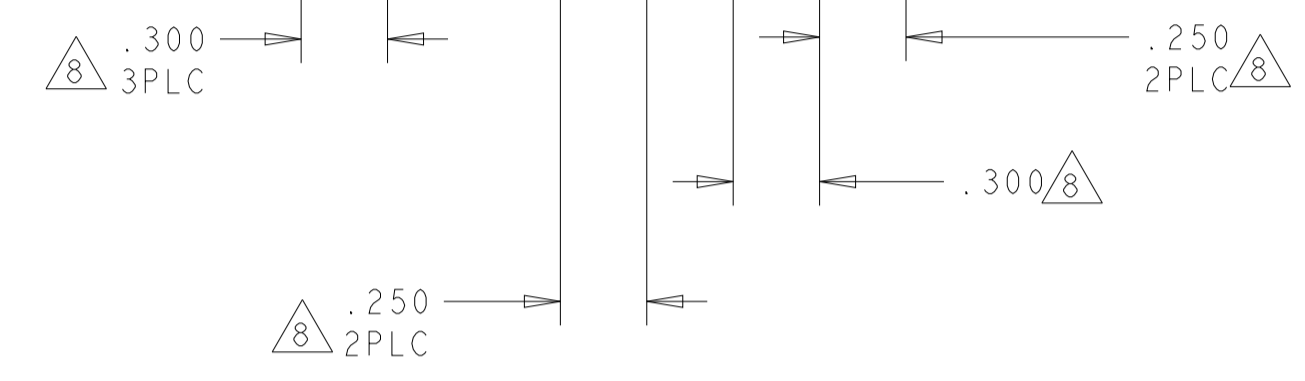


THIS DRAWING IS A CONTROLLED DOCUMENT.

DIMENSIONS: INCHES	TOLERANCES UNLESS OTHERWISE SPECIFIED:	DWN: R. GRZYBOWSKI CHK: M. PERCHERKE APVD: M. PERCHERKE	10FEB05 10FEB05	 TE Connectivity	NAME: RIGHT ANGLE HEADER ASSEMBLY W/GUIDES MULTI-BEAM XL
MATERIAL: -	FINISH: -	PRODUCT SPEC: 108-1973	APPLICATION SPEC: 114-13038		SIZE: A100779
CUSTOMER DRAWING		SCALE: 1:1		SHEET 5 OF 9	

LOC	DIST	REVISIONS			
P	LTN	DESCRIPTION	DATE	DMN	APVD
-	-	SEE SHEET 1	-	-	-

PART NUMBER	ROWS	POWER									SIGNAL							
		P1	P2	P3	P4	P5	P6	P7	P8	P9	1	2	3	4	5	6		
1-6450132-9	D	PM	PM	PM	PM	PM	PM	PM	PM	PM	J	E	J	J	J	J		
	C	PM	PM	PM	PM	PM	PM	PM	PM	PM	K	K	K	K	K	K		
	B	PM	PM	PM	PM	PM	PM	PM	PM	PM	N	N	N	N	N	N		
	A	PM	PM	PM	PM	PM	PM	PM	PM	PM	S	S	S	S	S	S		
3ACP + 6P + 24S		HD											HD					



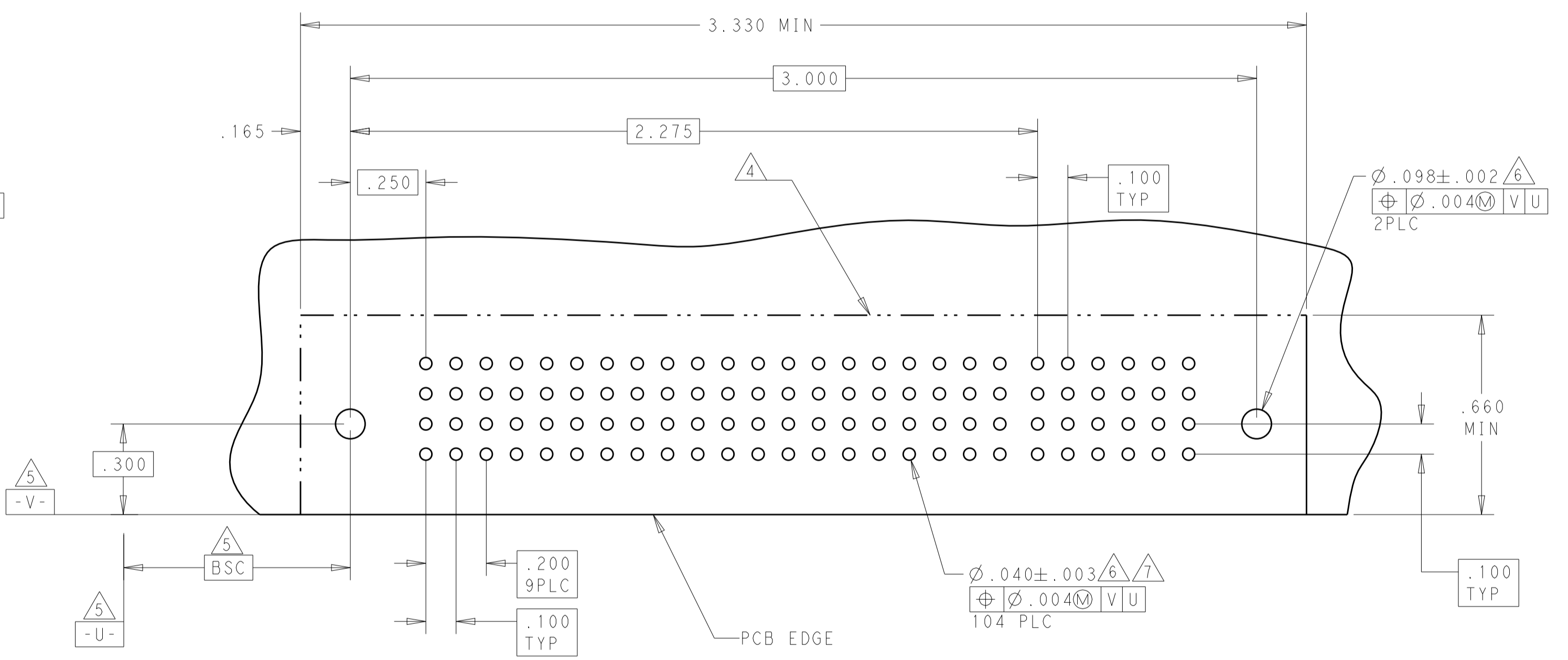
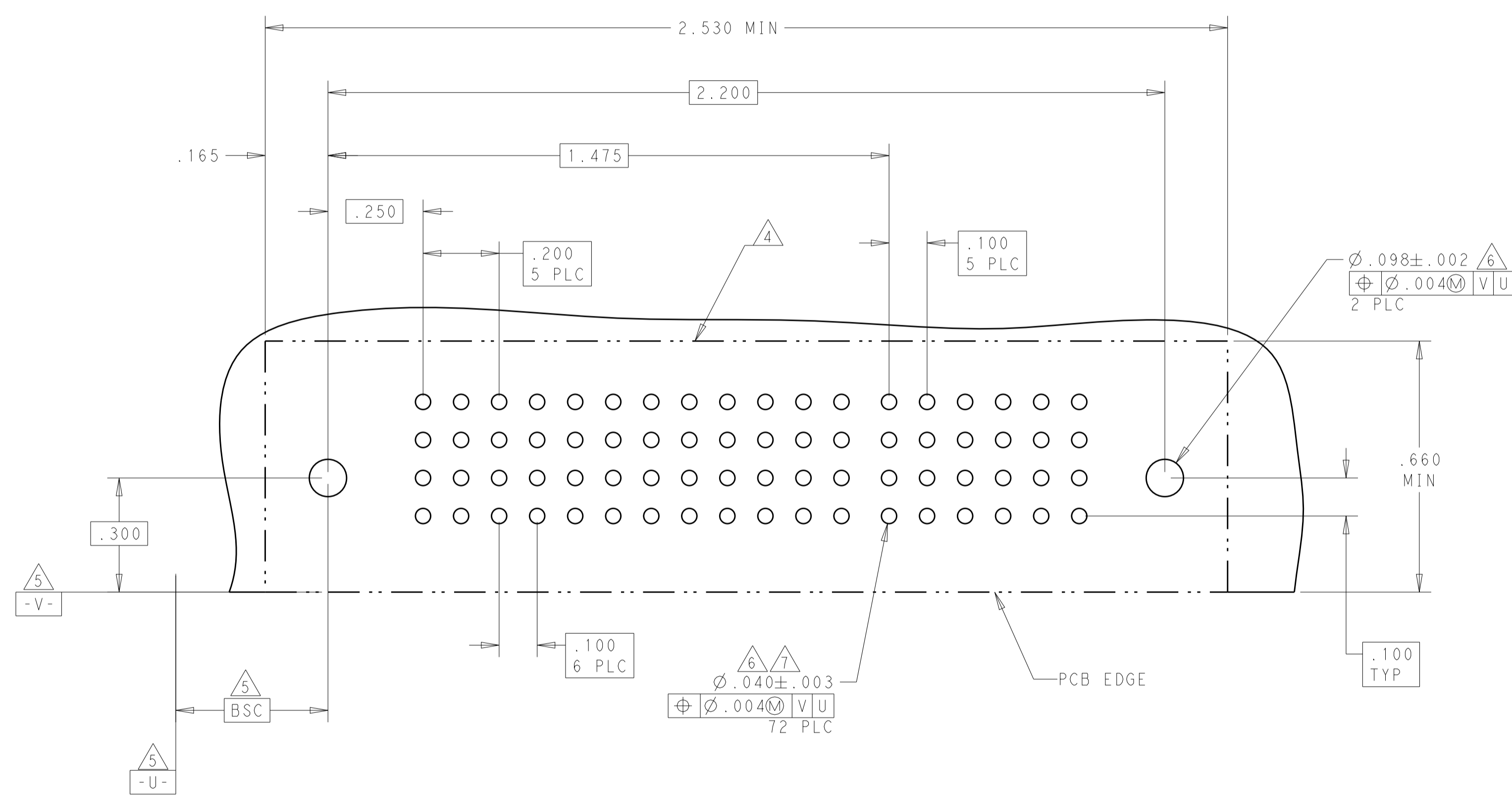
THIS DRAWING IS A CONTROLLED DOCUMENT.		DMN: R. GRZYBOWSKI	TOFEB05	TE Connectivity
DIMENSIONS: INCHES		CHK: M. PERCHERKE	TOFEB05	
TOLERANCES UNLESS OTHERWISE SPECIFIED: 0 PLC ±. 1 PLC ±.01 2 PLC ±.01 3 PLC ±.005 4 PLC ±.0020 ANGLES ±2°		APVD: M. PERCHERKE	NAME: RIGHT ANGLE HEADER ASSEMBLY W/GUIDES MULTI-BEAM XL	SIZE: CAGE CODE: DRAWING NO: RESTRICTED TO A100779C=6450132
MATERIAL: -		FINISH: -	WEIGHT: -	
CUSTOMER DRAWING		SCALE: 1:1		SHEET 6 OF 9 REV E1

LOC		DIST		REVISONS			
GP	00	P	LYR	DESCRIPTION	DATE	DWN	APVD
		-		SEE SHEET 1			

PART NUMBER	ROWS	POWER						SIGNAL					
		P1	P2	P3	P4	P5	P6	1	2	3	4	5	6
2-6450132-0	D C B A	PM	PM	PM	PM	PM	PM	J	J	J	J	J	J
								K	K	K	K	K	K
								N	N	N	N	N	N
								H	H	H	H	H	H
6P + 24S													

PART NUMBER	ROWS	POWER										SIGNAL					
		P1	P2	P3	P4	P5	P6	P7	P8	P9	P10	1	2	3	4	5	6
2-6450132-1	D C B A	PM	PM	PM	PM	PM	PM	PM	PM	PM	PM	J	E	J	J	J	E
												K	F	K	K	K	F
												N	N	N	N	N	G
												S	S	S	S	S	H
10P + 24S																	

PART NUMBER	ROWS	POWER										SIGNAL					
		P1	P2	P3	P4	P5	P6	P7	P8	P9	P10	1	2	3	4	5	6
2-6450132-3	D C B A	PM	PM	PM	PM	PM	PM	PM	PM	PM	PM	J	E	J	J	J	J
												K	F	K	K	K	K
												N	N	N	N	N	N
												S	S	S	S	S	S
10P + 24S																	



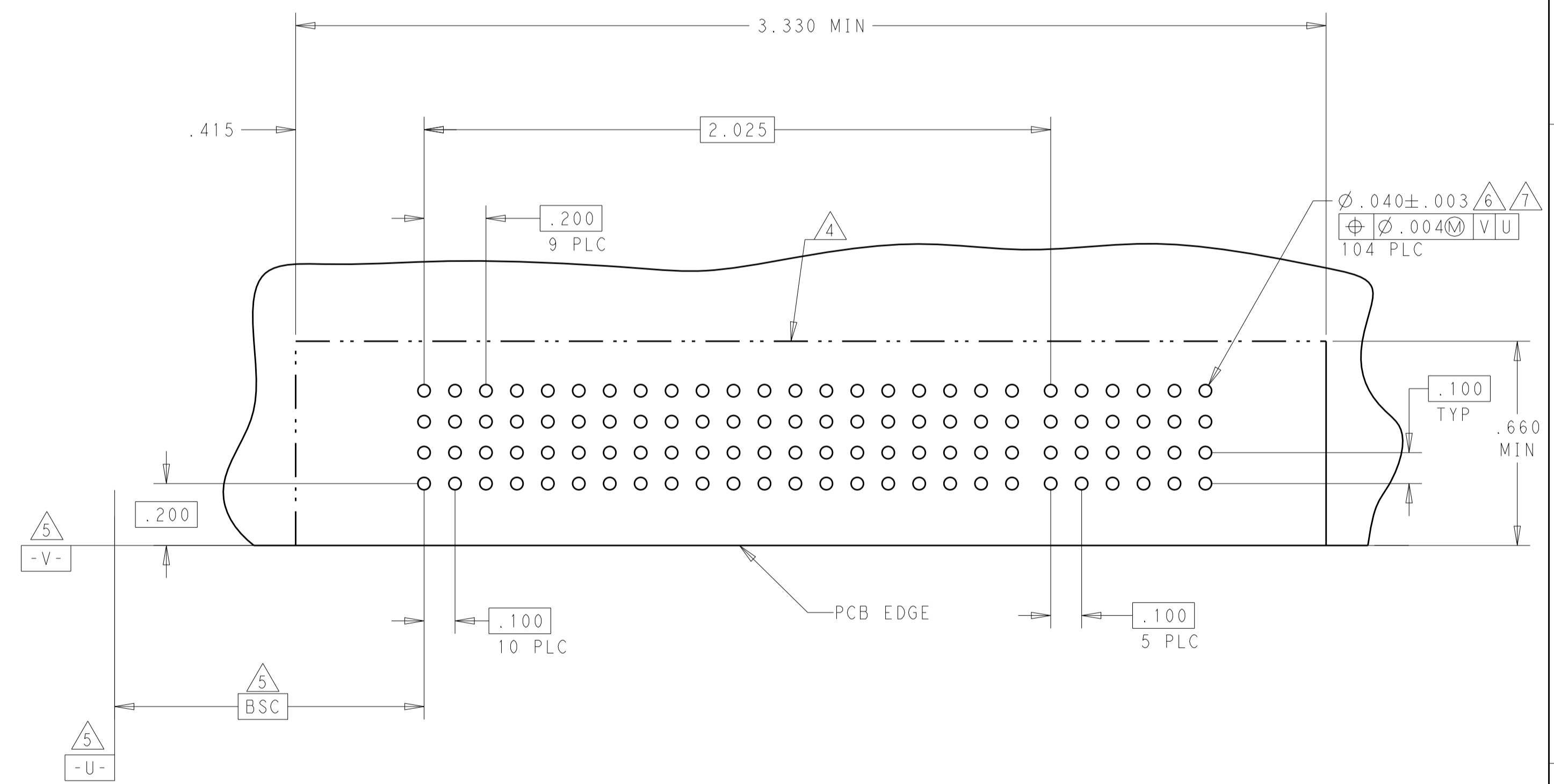
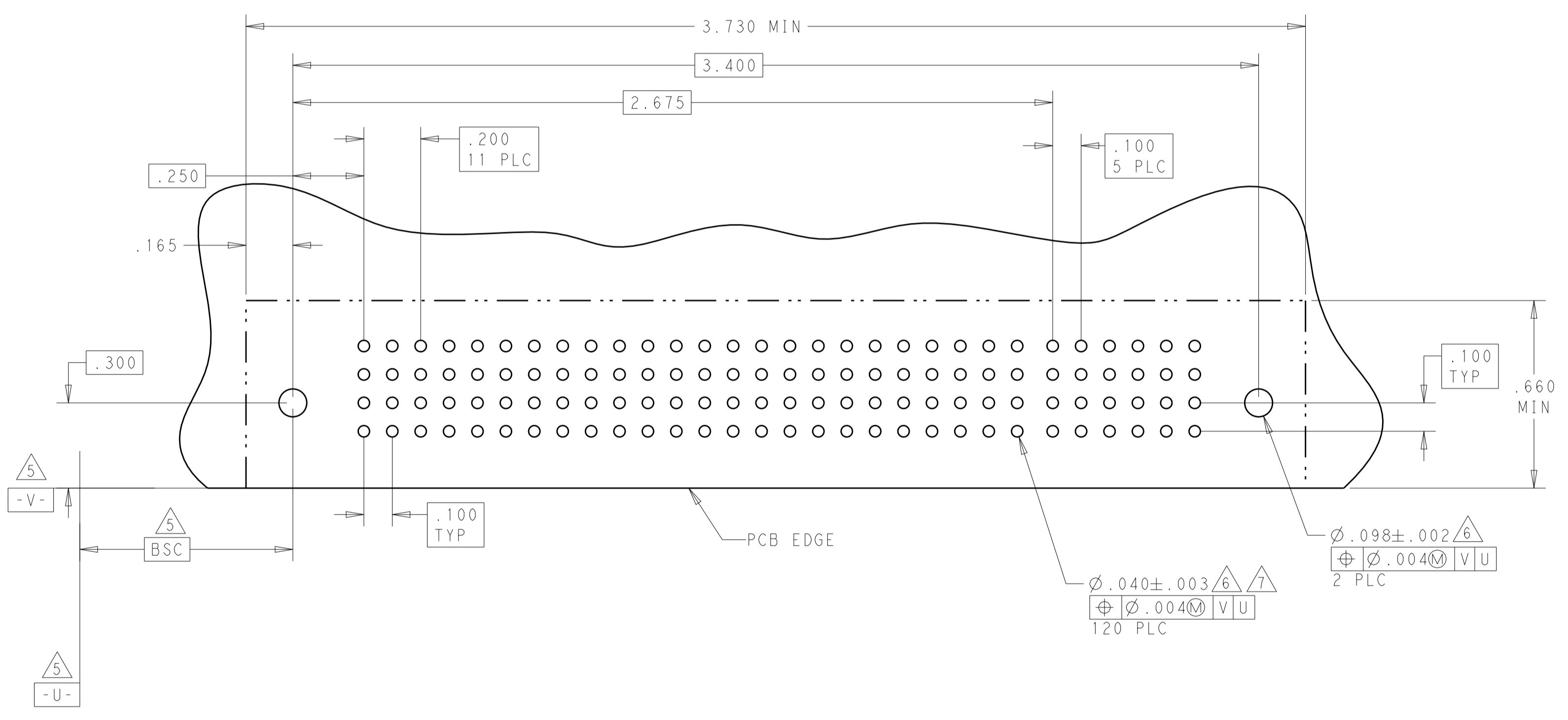
2-6450132-1 AND 2-6450132-3 PCB LAYOUT

THIS DRAWING IS A CONTROLLED DOCUMENT.		DWN: R. GRZYBOWSKI CHK: M. PERCHERKE APVD: M. PERCHERKE	10FEB05 10FEB05	TE Connectivity
DIMENSIONS: INCHES	TOLERANCES UNLESS OTHERWISE SPECIFIED:	NAME: M. PERCHERKE PRODUCT SPEC: 108-1973 APPLICATION SPEC: 114-13038	SIZE: A CAGE CODE: 100779 DRAWING NO: C=6450132	
MATERIAL:	FINISH:	WEIGHT:	CUSTOMER DRAWING	RESTRICTED TO:
		SCALE: 1:1	SHEET 7 OF 9	REV: E1

LOC	DIST	REVISIONS					
GP	00	P	LYN	DESCRIPTION	DATE	OWN	APVD
		-		SEE SHEET 1			

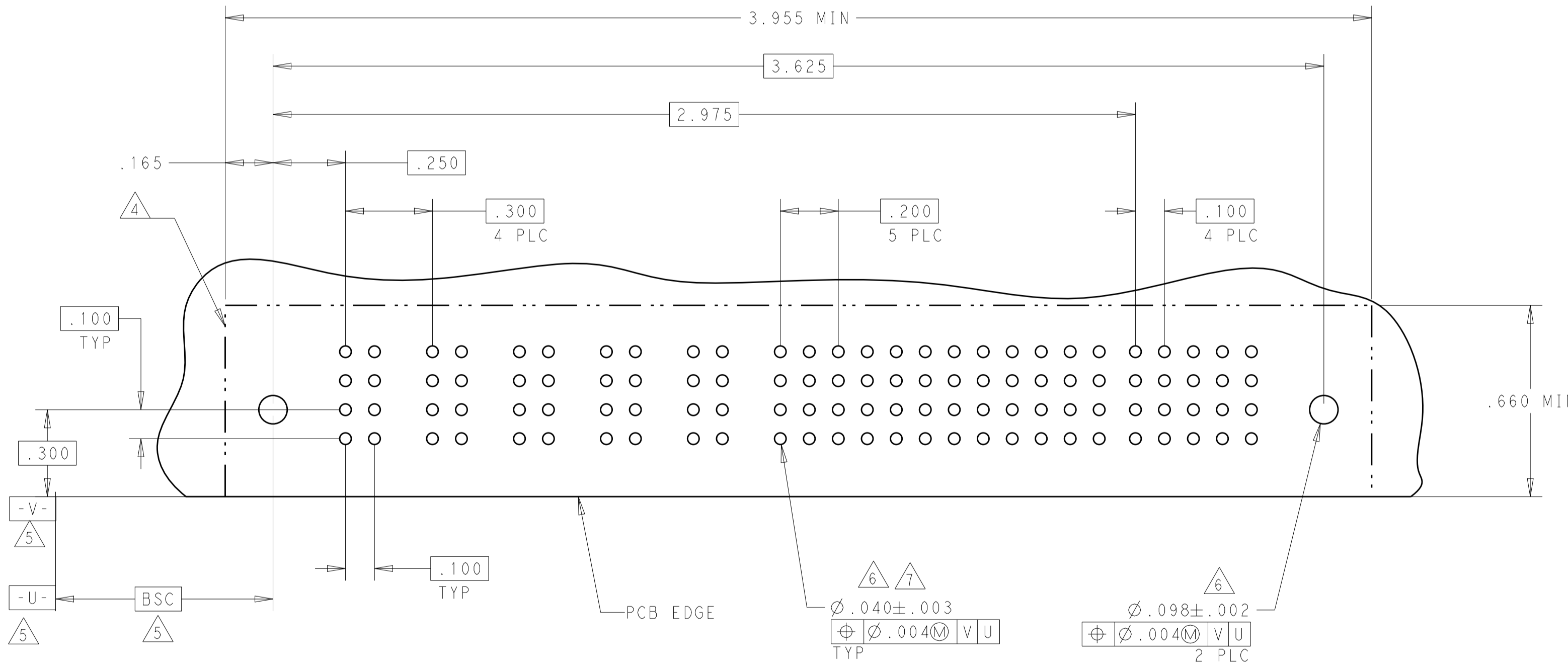
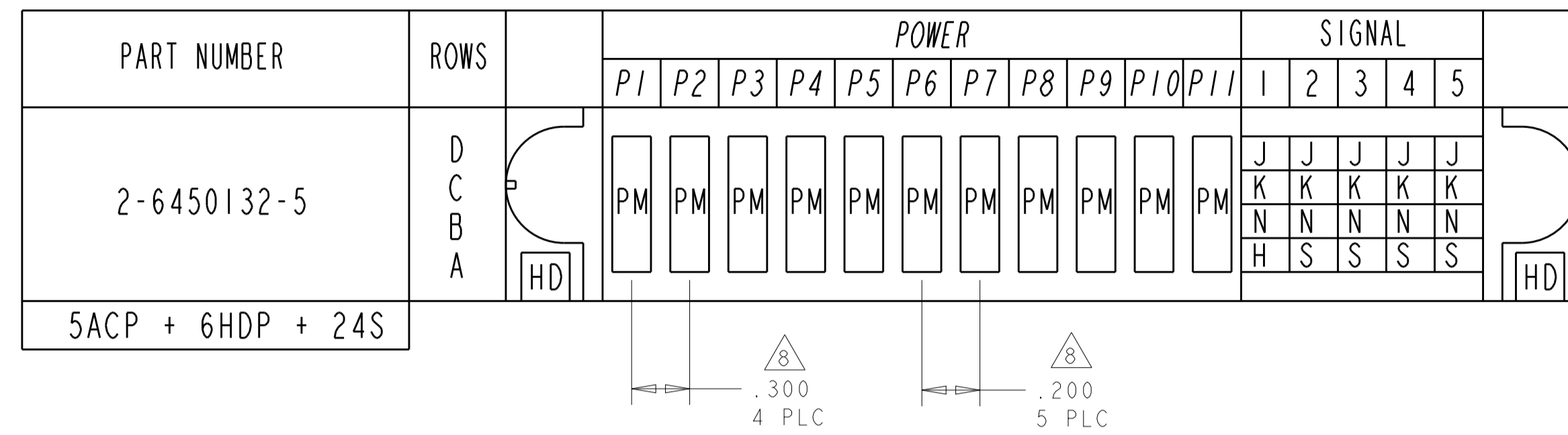
PART NUMBER	ROWS	POWER												SIGNAL					
		P1	P2	P3	P4	P5	P6	P7	P8	P9	P10	P11	P12	1	2	3	4	5	6
		PM	PM	PM	PM	PM	PM	PM	PM	PM	PM	PM	PM	E	J	J	J	J	E
2-6450132-2	D C B A	PM	PM	PM	PM	PM	PM	PM	PM	PM	PM	PM	K	K	K	K	K	K	
12P + 24S		PM	PM	PM	PM	PM	PM	PM	PM	PM	PM	N	N	N	N	N	N		
		PM	PM	PM	PM	PM	PM	PM	PM	PM	PM	S	S	S	S	S	S		

PART NUMBER	ROWS	POWER										SIGNAL					
		P1	P2	P3	P4	P5	P6	P7	P8	P9	P10	1	2	3	4	5	6
		PM	PM	PM	PM	PM	PM	PM	PM	PM	PM	PM	J	E	J	J	J
2-6450132-4	D C B A	PM	PM	PM	PM	PM	PM	PM	PM	PM	PM	K	F	K	K	K	F
10P + 24S		PM	PM	PM	PM	PM	PM	PM	PM	PM	PM	N	N	N	N	N	G
		PM	PM	PM	PM	PM	PM	PM	PM	PM	PM	S	S	S	S	S	H



THIS DRAWING IS A CONTROLLED DOCUMENT.		OWN: R. GRZYBOWSKI	TOFEB05		TE Connectivity	
DIMENSIONS: INCHES		CHK: M. PERCHERKE	TOFEB05		RIGHT ANGLE HEADER ASSEMBLY W/GUIDES MULTI-BEAM XL	
TOLERANCES UNLESS OTHERWISE SPECIFIED:		APVD: M. PERCHERKE		NAME		
0 PLC ± .01	1 PLC ± .01	PRODUCT SPEC		108-1973		
2 PLC ± .01	3 PLC ± .005	APPLICATION SPEC		114-13038		
4 PLC ± .0020	ANGLES ± .0020	WEIGHT		A100779C=6450132		
MATERIAL		FINISH		CUSTOMER DRAWING		
SCALE 1:1		SHEET 8 OF 9		REV E1		

LOC	DIST	REVISIONS					
		P	LTN	DESCRIPTION	DATE	DMN	APVD
GP	00	-	-	SEE SHEET 1	-	-	-



THIS DRAWING IS A CONTROLLED DOCUMENT.		DMN: R.GRZYBOWSKI 10FEB05	TE Connectivity RIGHT ANGLE HEADER ASSEMBLY W/GUIDES MULTI-BEAM XL
DIMENSIONS: INCHES		CHK: M.PERCHEKKE 10FEB05	
		APVD: M.PERCHEKKE	NAME: 108-1973
TOLERANCES UNLESS OTHERWISE SPECIFIED:		PRODUCT SPEC: 108-1973	APPLICATION SPEC: 114-13038
0 PLC ±. 1 PLC ±.01 2 PLC ±.01 3 PLC ±.005 4 PLC ±.0020 ANGLES ±.2°		SIZE: 114-13038	RESTRICTED TO: A100779C=6450132
MATERIAL: -		WEIGHT: -	CUSTOMER DRAWING
		SCALE: 1:1	SHEET 9 OF 9 REV: E1