



Chipsmall Limited consists of a professional team with an average of over 10 year of expertise in the distribution of electronic components. Based in Hongkong, we have already established firm and mutual-benefit business relationships with customers from,Europe,America and south Asia,supplying obsolete and hard-to-find components to meet their specific needs.

With the principle of "Quality Parts,Customers Priority,Honest Operation,and Considerate Service",our business mainly focus on the distribution of electronic components. Line cards we deal with include Microchip,ALPS,ROHM,Xilinx,Pulse,ON,Everlight and Freescale. Main products comprise IC,Modules,Potentiometer,IC Socket,Relay,Connector.Our parts cover such applications as commercial,industrial, and automotives areas.

We are looking forward to setting up business relationship with you and hope to provide you with the best service and solution. Let us make a better world for our industry!



Contact us

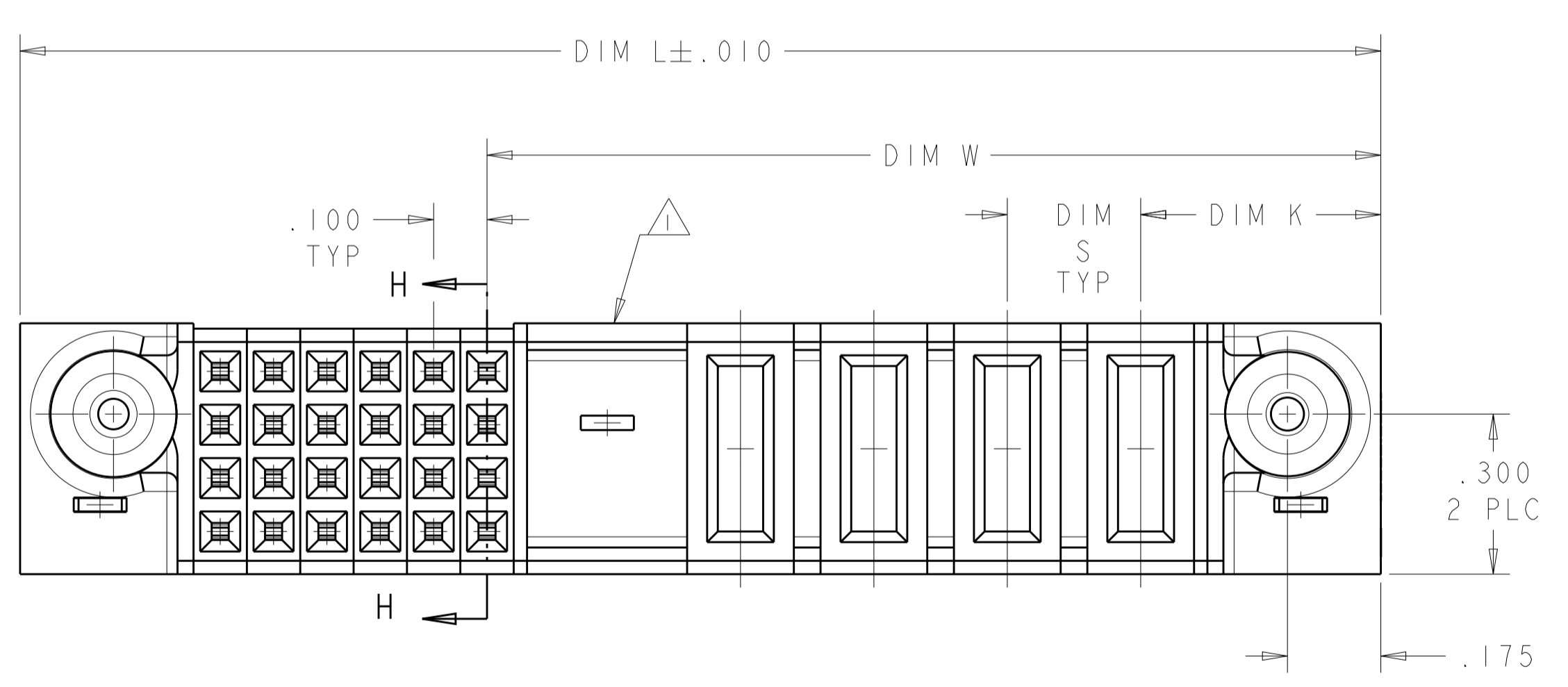
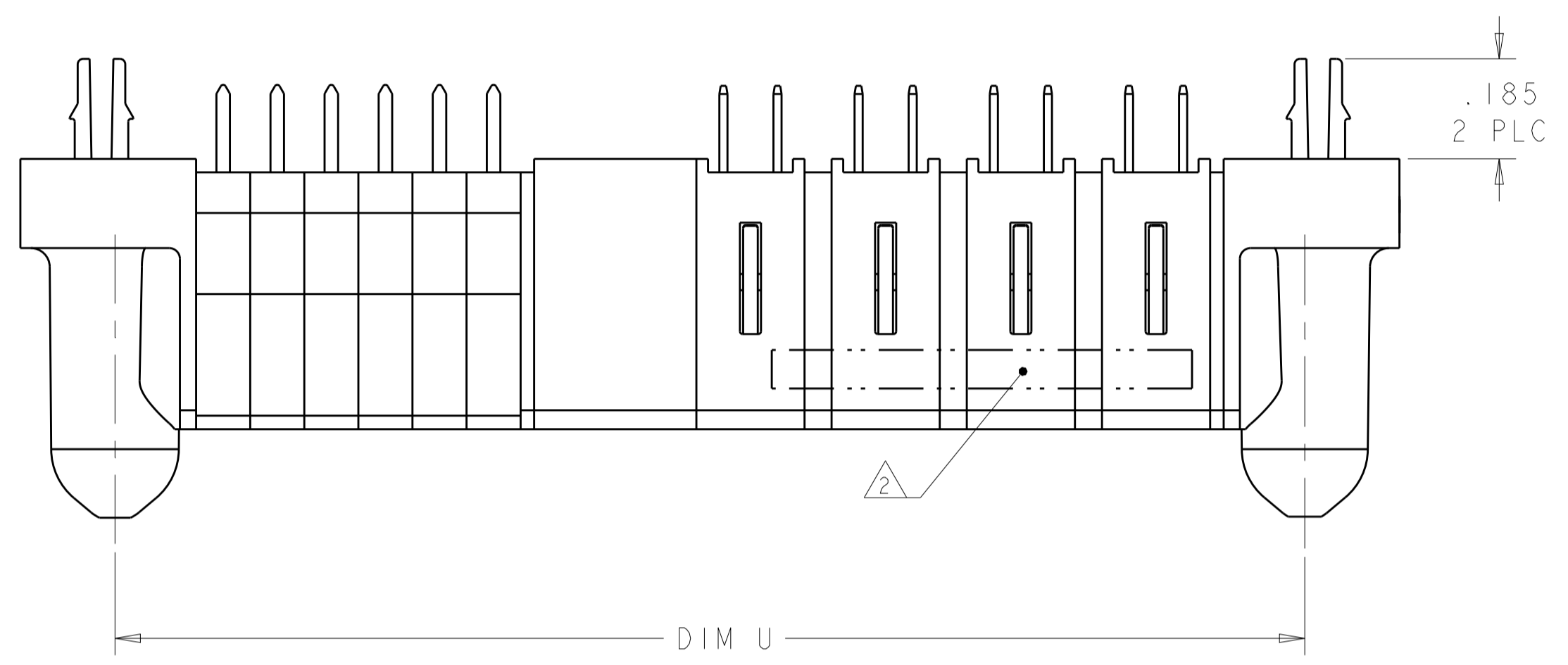
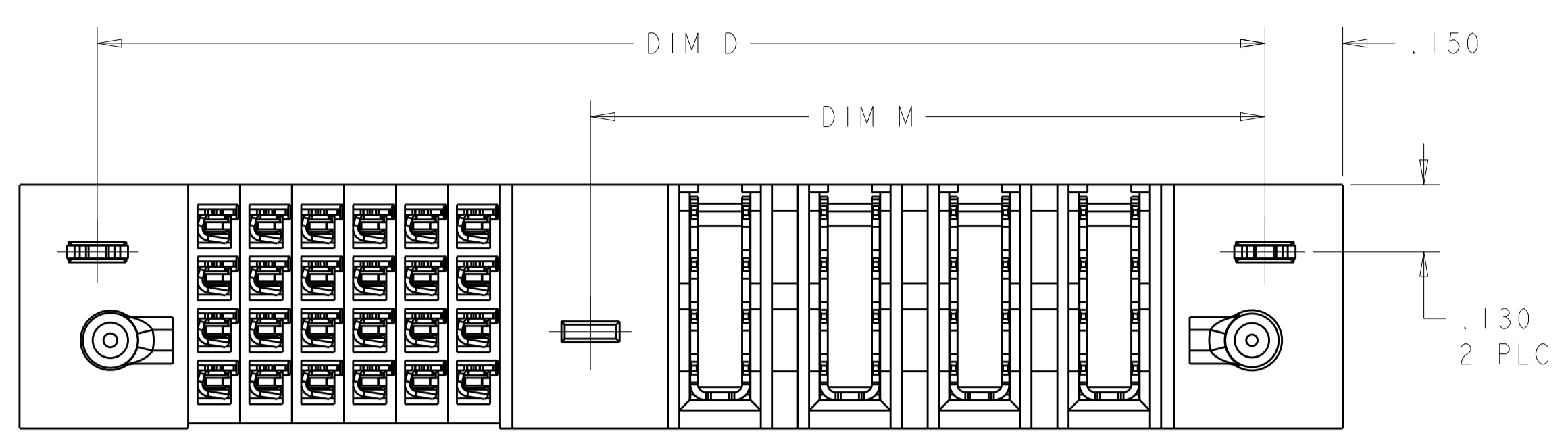
Tel: +86-755-8981 8866 Fax: +86-755-8427 6832

Email & Skype: info@chipsmall.com Web: www.chipsmall.com

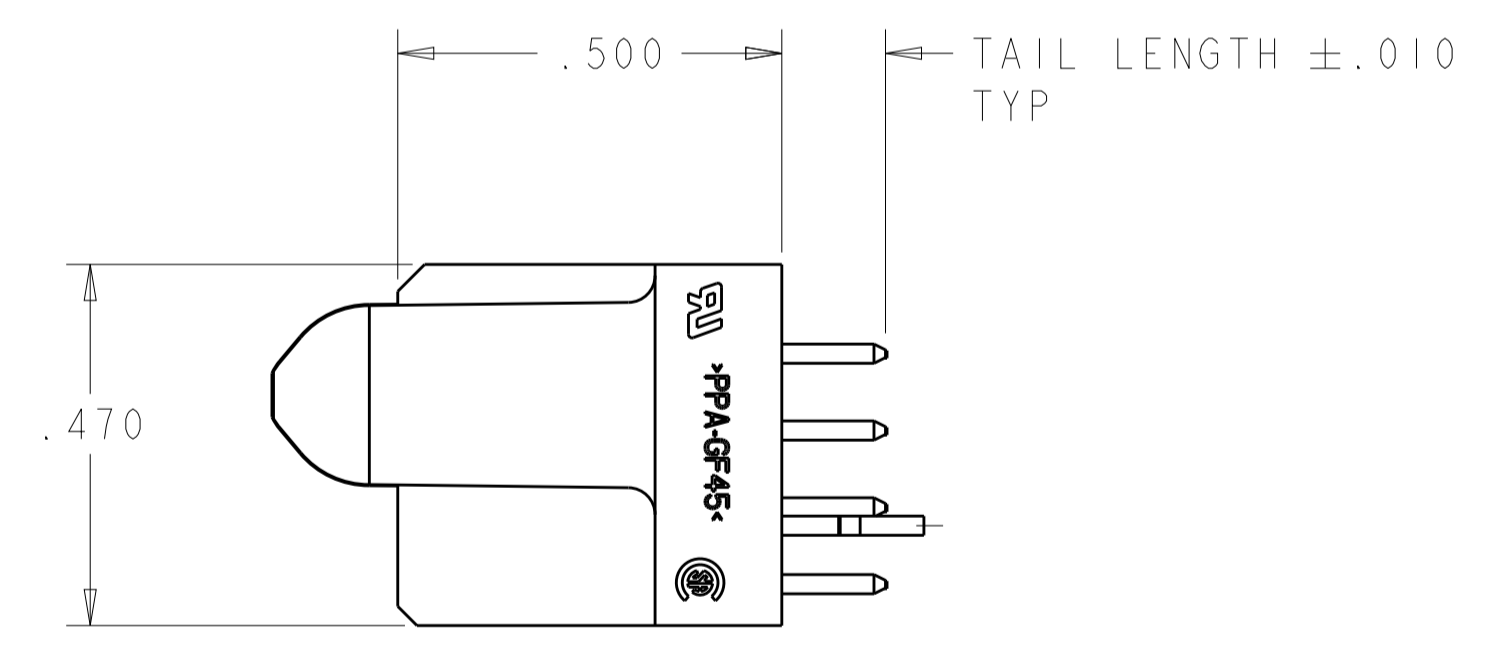
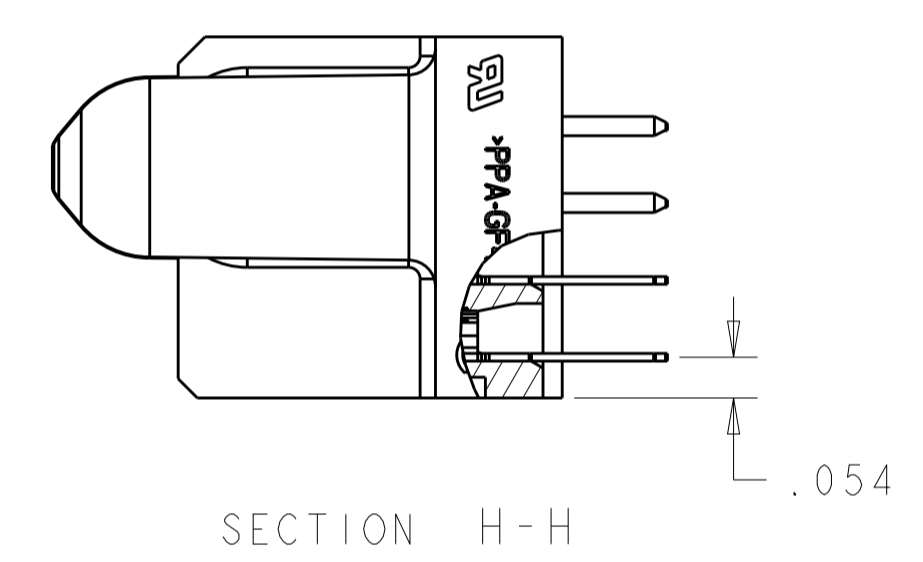
Address: A1208, Overseas Decoration Building, #122 Zhenhua RD., Futian, Shenzhen, China



LOC	DIST	REVISIONS			
GP	00	REV	DATE	BY	CHK
		C	REV PER ECR-08-027811	04NOV2008	IL SY
		C1	REV PER ECR-12-009459	28MAY2012	CZ SZ



- △ OPTIONAL CENTER MODULE, WITH Ø.150 THRU HOLE OR HOLD DOWN FEATURE
- △ "AMP", PART NUMBER, AND DATE CODE TO BE MARKED IN AREA SHOWN.
- △ MATERIAL: HOUSING - GLASS FILLED HIGH TEMP THERMO PLASTIC, UL94 V-0
 SIGNAL CONTACT - HIGH CONDUCTIVITY COPPER ALLOY
 POWER CONTACT - HIGH CONDUCTIVITY COPPER ALLOY
- △ CONTACT PLATING: NOBLE METAL PLATING ON CONTACT FUNCTIONAL AREA OF POWER AND SIGNAL CONTACTS
- △ MECHANICAL CONNECTOR KEEP OUT ZONE
- △ DATUM AND BASIC DIMENSIONS ESTABLISHED BY CUSTOMER
- △ PCB - ALL HOLE DIAMETERS ARE FINISHED HOLE SIZES
- △ PCB - .0453 +/- .0010 DRILLED HOLES PLATED WITH .0003 MIN Sn OVER .001 TO .003 PLATING TO ACHIEVE A .040 DIA HOLE
- △ NOT RELEASED FOR PRODUCTION



1.400	.250	.875	1.450	-	1.750	.450	2P + 24S	1-6450152-0
1.400	.250	.875	1.450	-	1.750	.450	2P + 24S	6450152-9
2.250	.250	1.975	2.300	-	2.600	.475	6P + 12S	6450152-6
1.850	.300	1.325	1.900	-	2.200	.475	3ACP + 24S	6450152-5
2.250	.250	1.975	2.300	-	2.600	.475	6P + 12S	6450152-3
4.500	.250	3.875	4.550	-	4.850	.450	14P + 28S	6450152-2
4.600	.250	3.875	4.650	-	4.950	.450	14P + 32S	6450152-1
U	S	W	D	M	L	K	DESCRIPTION	PART NUMBER

THIS DRAWING IS A CONTROLLED DOCUMENT. DWN: R. GRZYBOWSKI 17FEB05
 CHK: M. PERCHERKE 17FEB05
 APVD: M. PERCHERKE 17FEB05

STE TE Connectivity

NAME: VERTICAL RECEPTACLE ASSEMBLY WITH GUIDES MULTI-BEAM XL

PRODUCT SPEC: 108-1973
 APPLICATION SPEC: 114-13038

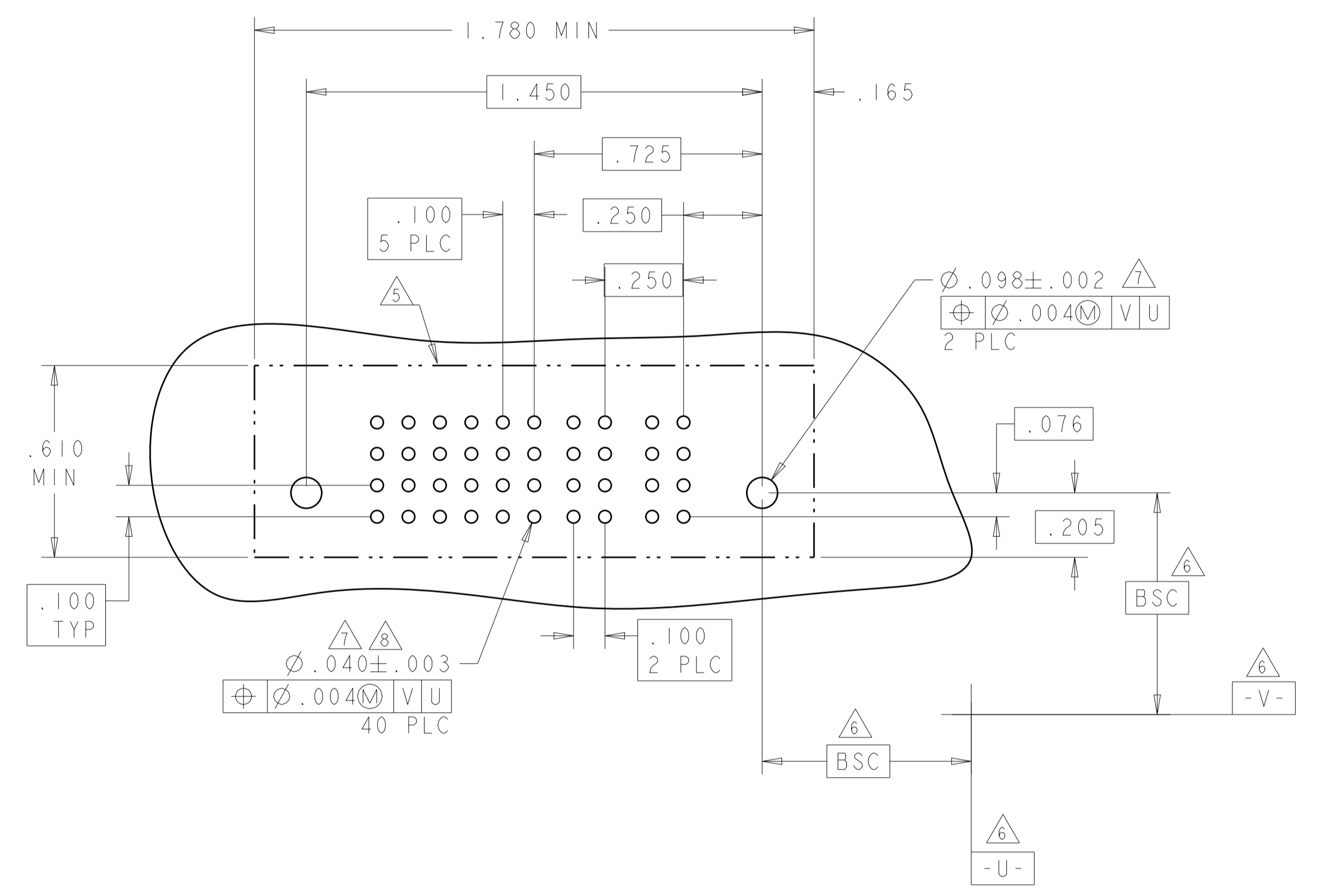
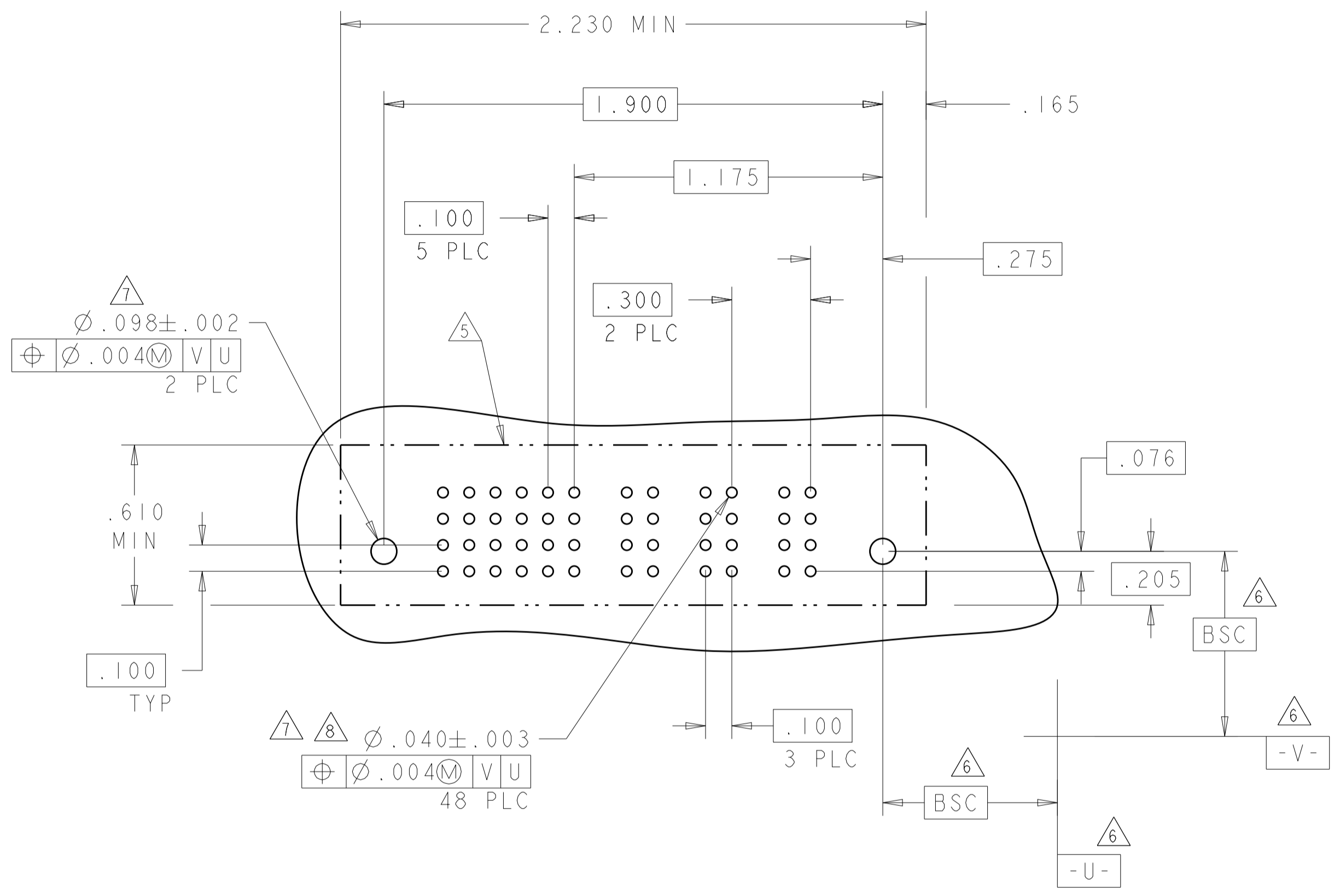
SIZE: A1 CAGE CODE: 6450152 DRAWING NO: 100779
 WEIGHT: -
 MATERIAL: -
 FINISH: -

CUSTOMER DRAWING SCALE: 4:1 SHEET 1 OF 4 REV: C2

LOC		DIST		REVISONS			
GP	00	P	LYN	DESCRIPTION	DATE	OWN	APVD
-	-	-	-	SEE SHEET 1	-	-	-

ASSY PART NUMBER	ROWS	SIGNAL						POWER		
		6	5	4	3	2	1	P3	P2	P1
6450152-5	D C B A	E	E	E	E	E	E	VA	VM	VM
		E	E	E	E	E	E			
		E	E	E	E	E	E			
		E	E	E	E	E	E			
3ACP + 24S										

ASSY PART NUMBER	ROWS	SIGNAL						POWER	
		6	5	4	3	2	1	P2	P1
6450152-9	D C B A	E	E	E	E	E	E	VM	VM
		E	E	E	E	E	E		
		E	E	E	E	E	E		
		E	E	E	E	E	E		
2P + 24S									

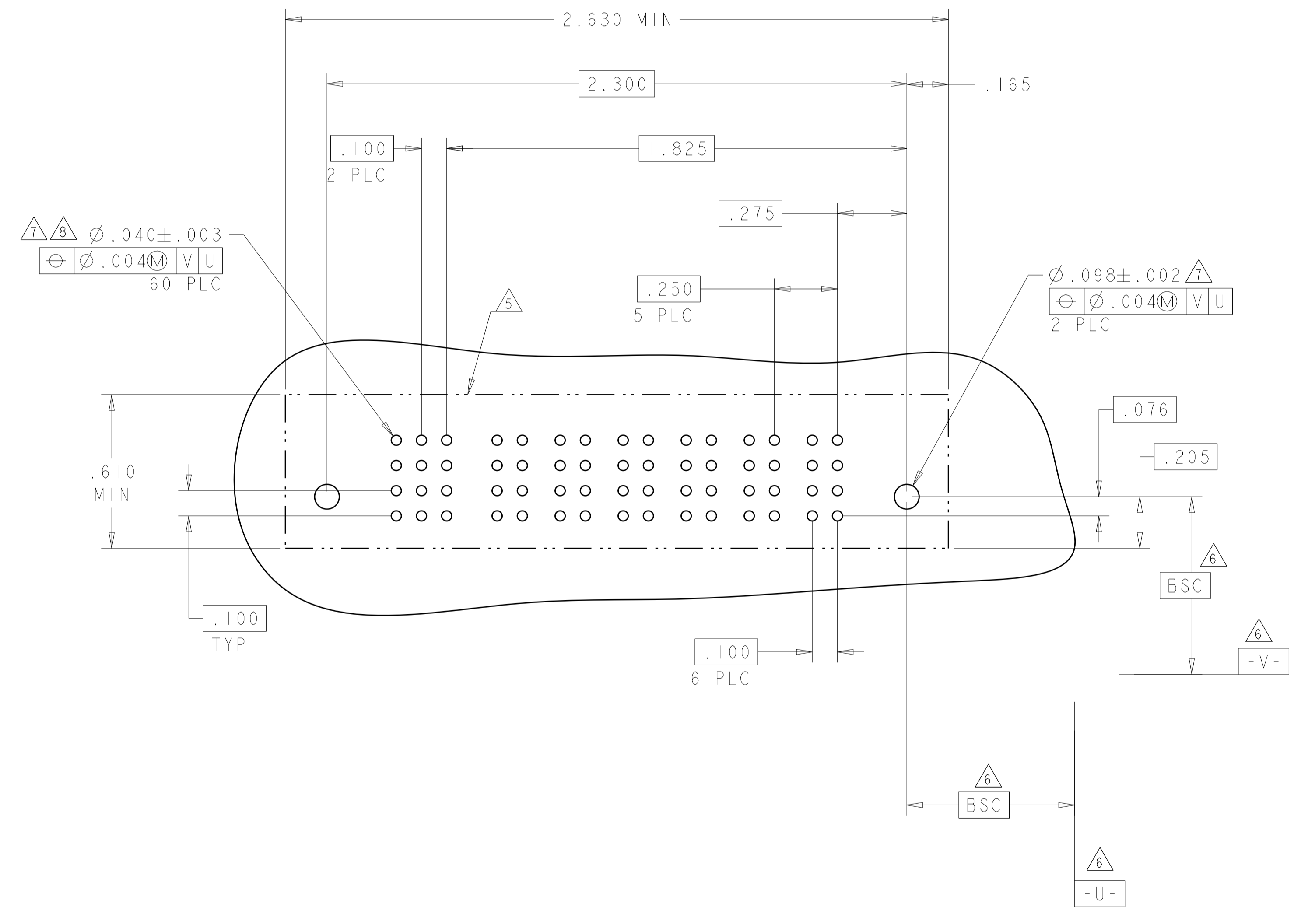
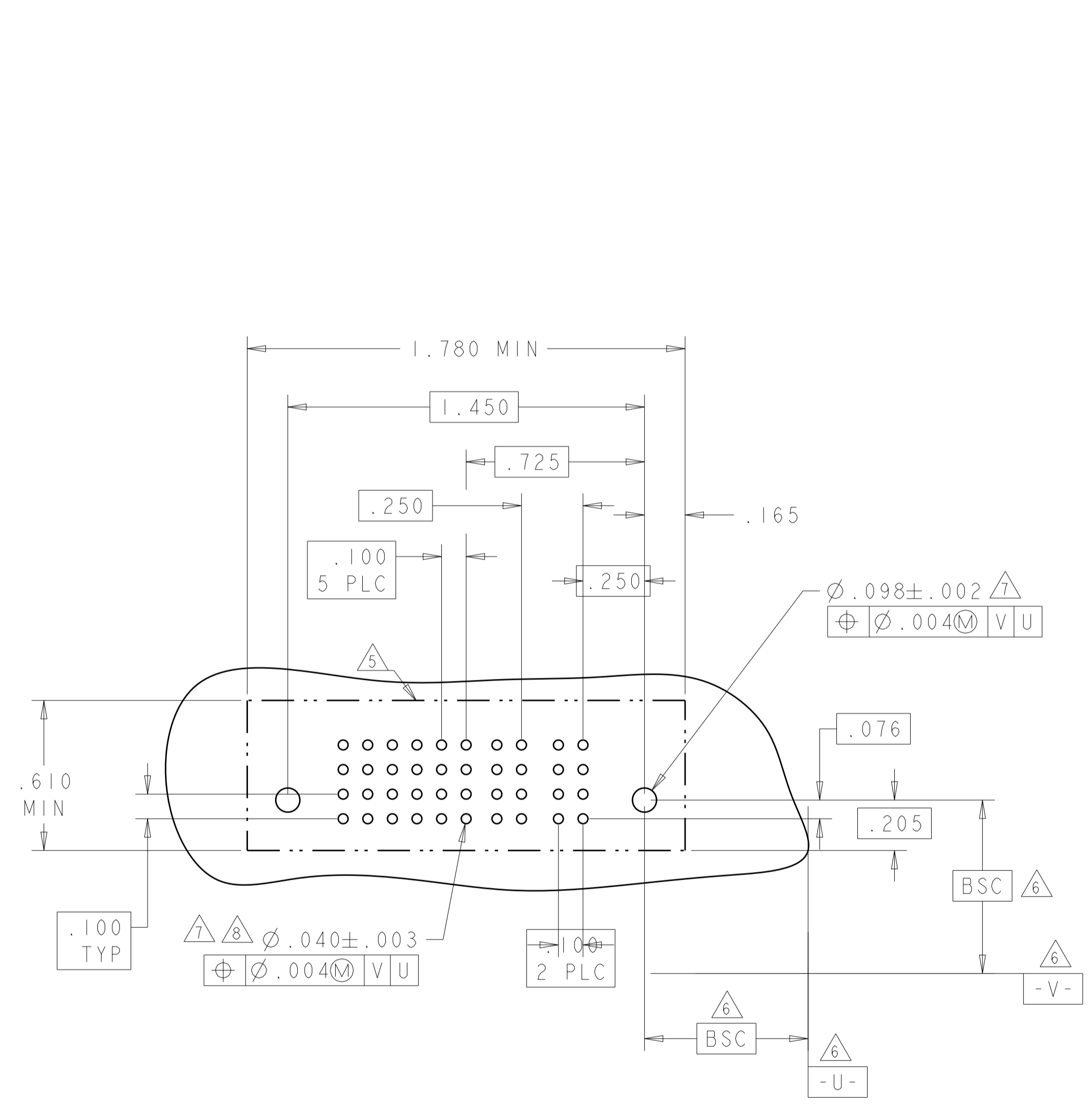


THIS DRAWING IS A CONTROLLED DOCUMENT.		OWN R. GRZYBOWSKI CHK M. PERCHERKE APVD M. PERCHERKE	17FEB05 17FEB05 17FEB05	TE Connectivity NAME VERTICAL RECEPTACLE ASSEMBLY WITH GUIDES MULTI-BEAM XL
DIMENSIONS: INCHES	TOLERANCES UNLESS OTHERWISE SPECIFIED:	PRODUCT SPEC 108-1973	APPLICATION SPEC 114-13038	
MATERIAL	FINISH	WEIGHT	CAGE CODE 100779	DRAWING NO 6450152
CUSTOMER DRAWING		SCALE 4:1	SHEET 3	OF 4
		REV C2		

LOC	DIST	REV	DATE	BY	APPD
GP	00				
REVISIONS			DATE	BY	APPD
DESCRIPTION					
SEE SHEET 1					

ASSY PART NUMBER	ROWS	SIGNAL						POWER	
		6	5	4	3	2	1	P2	P1
1-6450152-0	D C B A	E	E	E	E	E	E	VM	VA
		E	E	E	E	E	E		
		E	E	E	E	E	E		
		E	E	E	E	E	E		
2P + 24S		HD		HD					

ASSY PART NUMBER	ROWS	SIGNAL			POWER					
		3	2	1	P6	P5	P4	P3	P2	P1
6450152-6	D C B A	E	E	E	VM	VA	VA	VM	VM	VM
		E	E	E						
		E	E	E						
		E	E	E						
6P + 12S		HD		HD						



THIS DRAWING IS A CONTROLLED DOCUMENT.

DIMENSIONS: INCHES	TOLERANCES UNLESS OTHERWISE SPECIFIED: 0 PLC ±. 2 PLC ±.01 3 PLC ±.005 4 PLC ±.0020 ANGLES ±.7°	FINISH	FINISH
-----------------------	--	--------	--------

OWN: R. GRZYBOWSKI 17FEB05	CHK: M. PERCHERKE 17FEB05	APVD: M. PERCHERKE 17FEB05
PRODUCT SPEC: 108-1973		
APPLICATION SPEC: 114-13038		
WEIGHT: -		
CUSTOMER DRAWING		

STE TE Connectivity

NAME: VERTICAL RECEPTACLE ASSEMBLY WITH GUIDES MULTI-BEAM XL

SIZE: A1 00779 C=6450152

SCALE: 4:1 SHEET 4 OF 4 REV C2