



Chipsmall Limited consists of a professional team with an average of over 10 year of expertise in the distribution of electronic components. Based in Hongkong, we have already established firm and mutual-benefit business relationships with customers from,Europe,America and south Asia,supplying obsolete and hard-to-find components to meet their specific needs.

With the principle of “Quality Parts,Customers Priority,Honest Operation,and Considerate Service”,our business mainly focus on the distribution of electronic components. Line cards we deal with include Microchip,ALPS,ROHM,Xilinx,Pulse,ON,Everlight and Freescale. Main products comprise IC,Modules,Potentiometer,IC Socket,Relay,Connector.Our parts cover such applications as commercial,industrial, and automotives areas.

We are looking forward to setting up business relationship with you and hope to provide you with the best service and solution. Let us make a better world for our industry!



Contact us

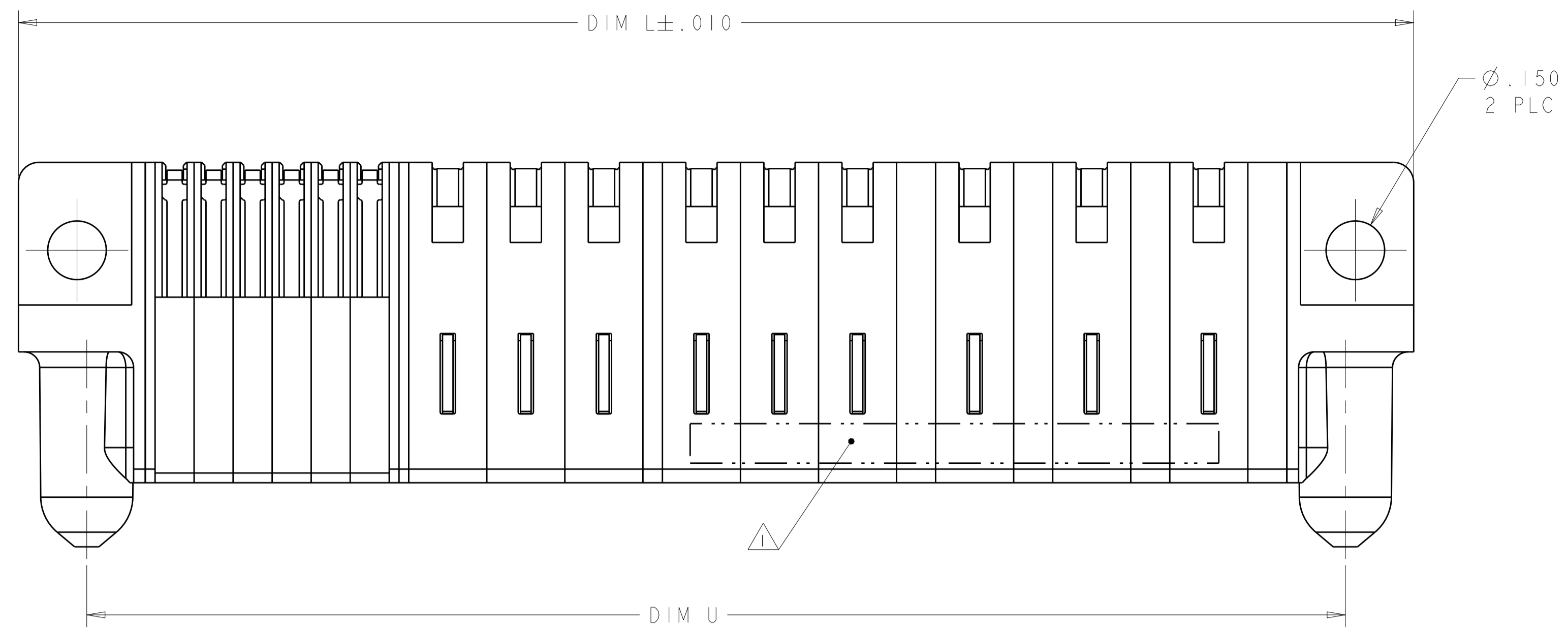
Tel: +86-755-8981 8866 Fax: +86-755-8427 6832

Email & Skype: info@chipsmall.com Web: www.chipsmall.com

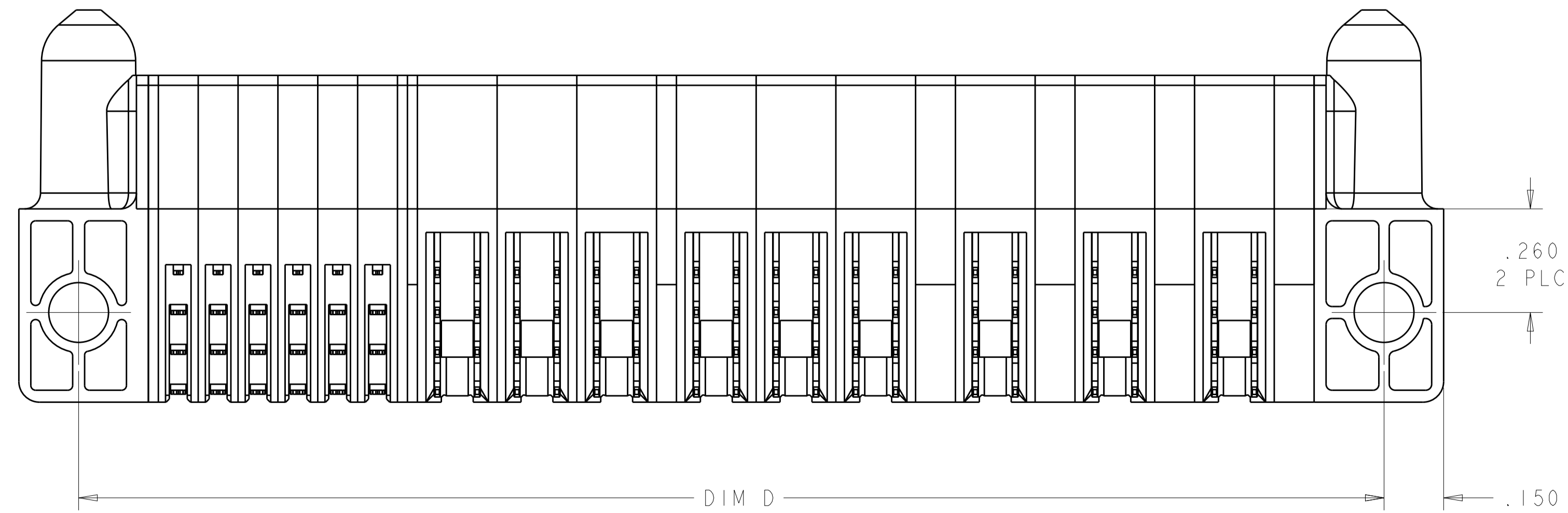
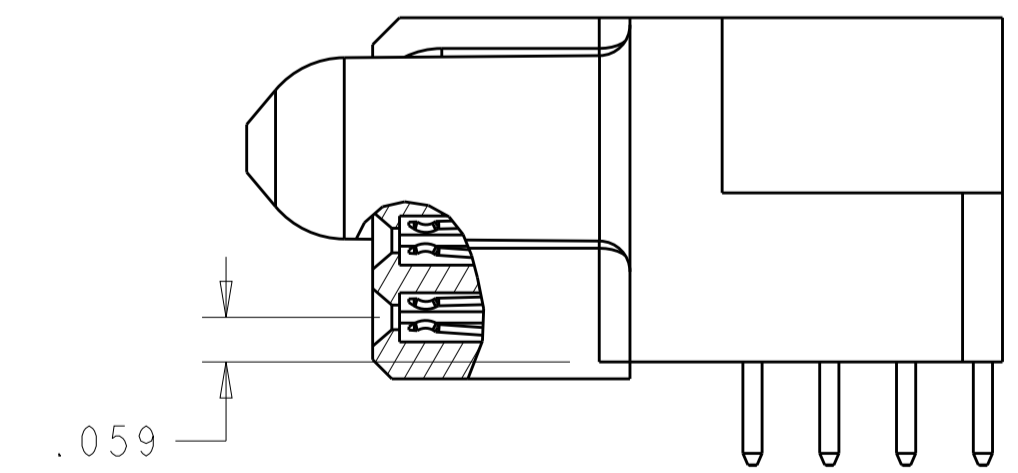
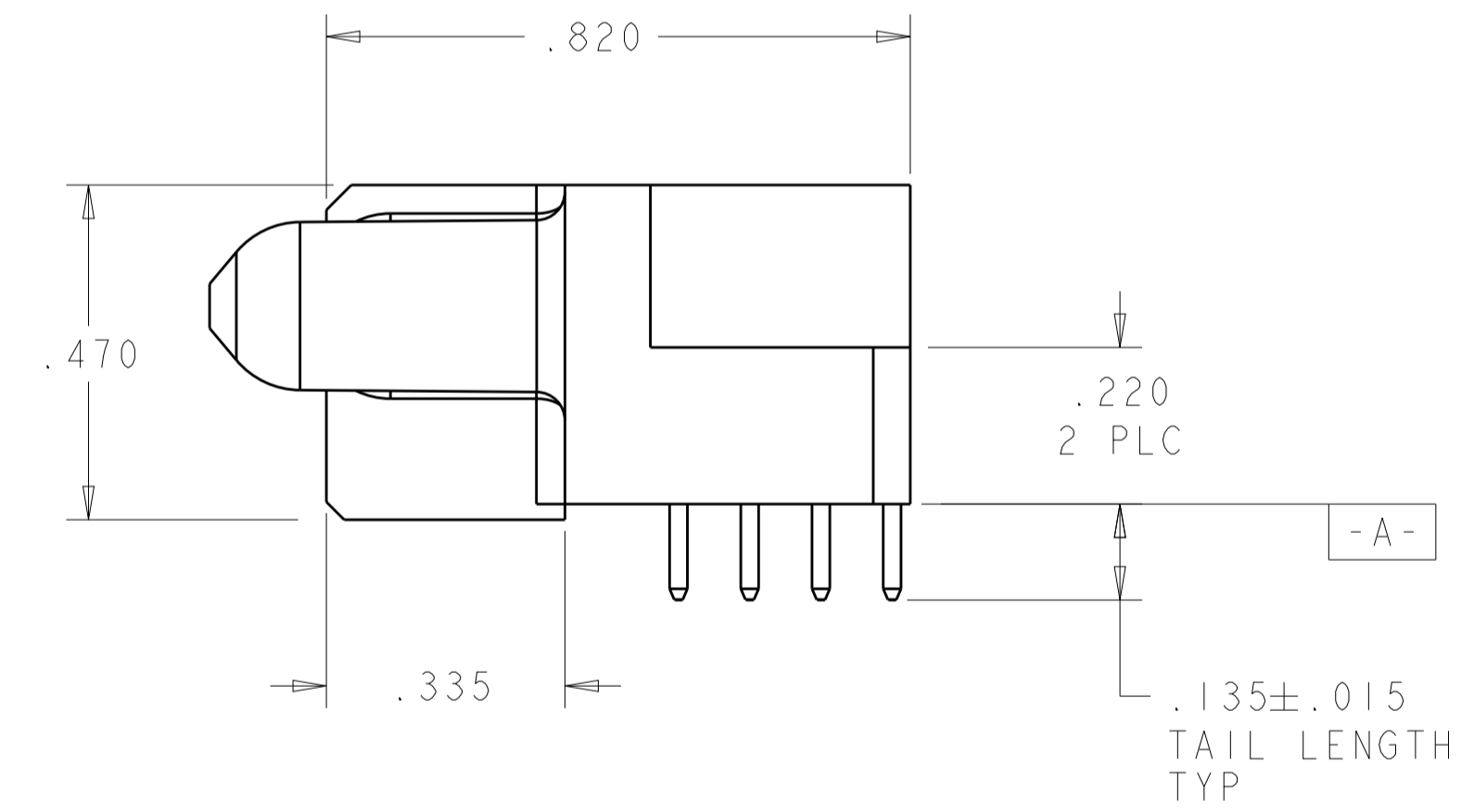
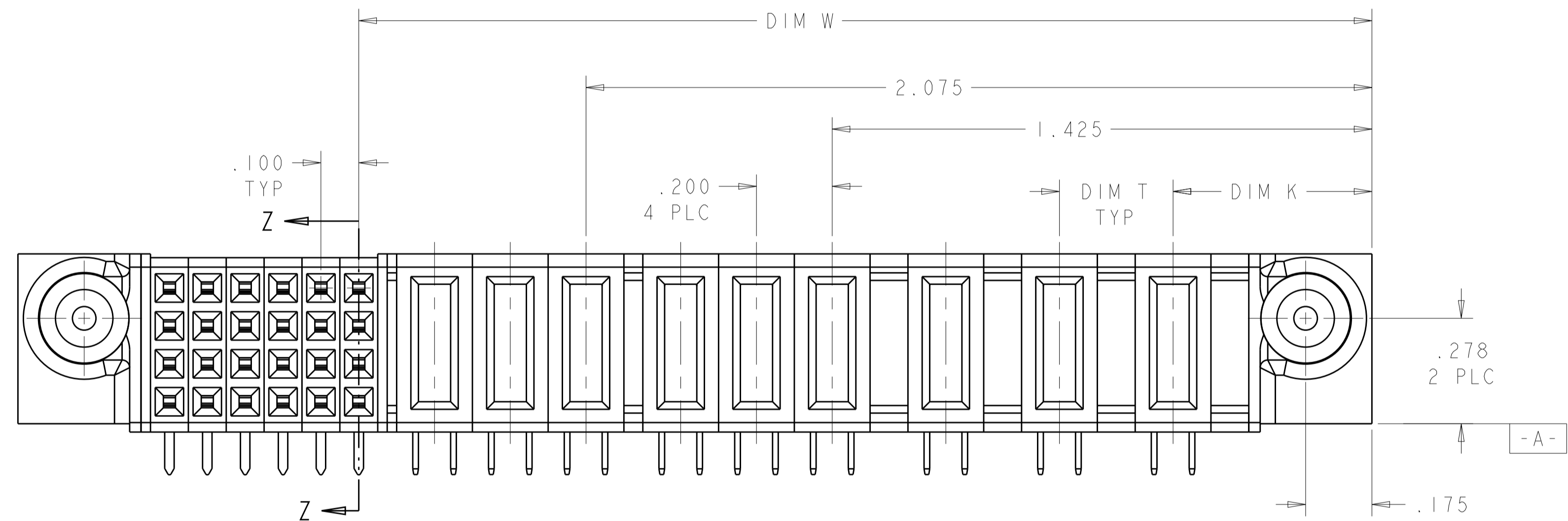
Address: A1208, Overseas Decoration Building, #122 Zhenhua RD., Futian, Shenzhen, China



LOC		DIST		REVISIONS			
ES	00	P	LTM	DESCRIPTION	DATE	DWN	APVD
	A			REV PER ECR-06-011989	18MAY2006	M, L	S, Y
	B			REV PER ECR-12-011791	03JUL2012	CZ	SZ
	B1			ADVISED	28FEB2013	ML	SZ



- 1 "AMP", PART NUMBER AND DATE CODE TO BE MARKED IN AREA SHOWN.
- 2 MATERIAL: HOUSING - GLASS FILLED HIGH TEMP THERMO PLASTIC, UL94 V-0.
SIGNAL CONTACT - COPPER ALLOY
POWER CONTACT - HIGH CONDUCTIVITY COPPER ALLOY
- 3 CONTACT PLATING: .000050 MIN Ni UNDER ALL. NOBLE METAL PLATED ON CONTACT FUNCTIONAL MATING AREA AND TIN AT PCB INTERFACE.
- 4 MECHANICAL CONNECTOR KEEP OUT ZONE.
- 5 DATUM AND BASIC DIMENSIONS ESTABLISHED BY CUSTOMER.
- 6 PCB - ALL HOLE DIAMETERS ARE FINISHED HOLE SIZES
- 7 PCB - .0453±.0010 DRILLED HOLES PLATED WITH .0003 MIN Sn OVER .001 TO .003 Cu PLATING TO ACHIEVE A .040 DIAMETER HOLE
- 8 VARIABLE DIMENSIONS PLEASE SEE TABLE.



2.875	2.300	2.825	.475	3.175	3ACP + 4P + 24S	6450372-3
3.275	2.675	3.225	.525	3.575	3ACP + 6P + 24S	6450372-1
DIM D	DIM T	DIM W	DIM U	DIM K	DIM L	DESCRIPTION
						PART NUMBER

THIS DRAWING IS A CONTROLLED DOCUMENT. DWN: R. GRZYBOWSKI 29AUG05
 CHK: M. PERCHERKE 29AUG05

DIMENSIONS: INCHES. TOLERANCES UNLESS OTHERWISE SPECIFIED:
 0 PLC ±.01
 1 PLC ±.01
 2 PLC ±.01
 3 PLC ±.005
 4 PLC ±.0020
 ANGLES ±.020

MATERIAL: 2. FINISH: 3.

APVD: M. PERCHERKE
 PRODUCT SPEC: 108-1973
 APPLICATION SPEC: 114-13038
 WEIGHT: -

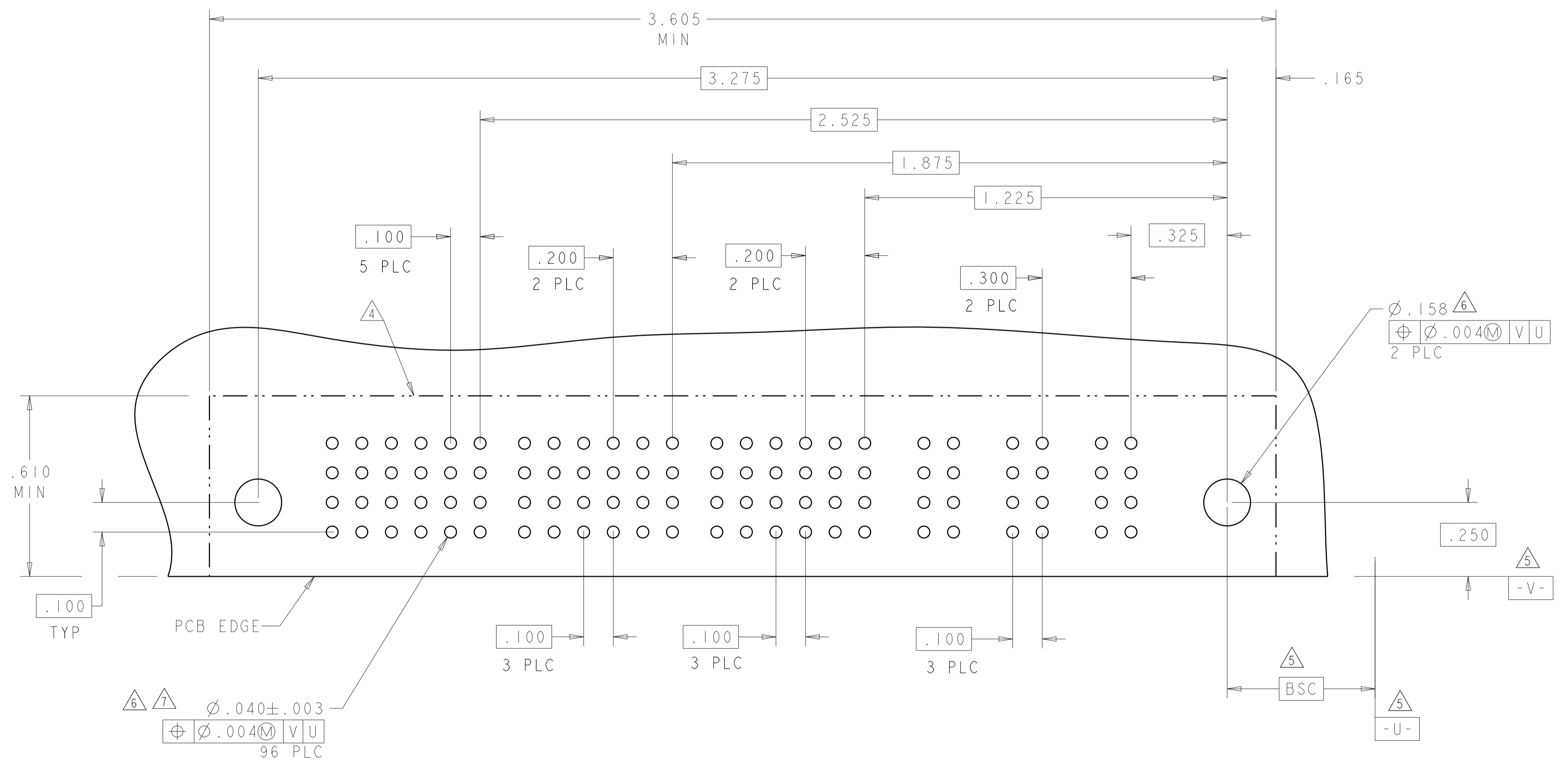
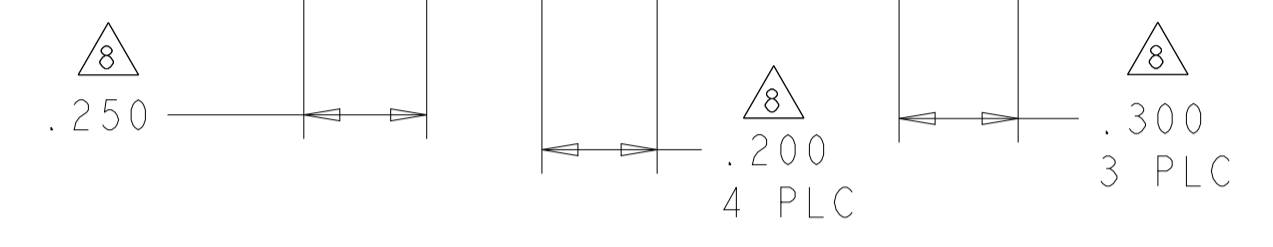
NAME: RIGHT ANGLE RECEPTACLE ASSEMBLY WITH GUIDES, SOLDER CONTACT MULTI-BEAM XL
 SIZE: A1
 CAGE CODE: 100779
 DRAWING NO: 6450372

CUSTOMER DRAWING. SCALE: 4:1. SHEET 1 OF 3. REV: B1

LOC		DIST		REVISIONS			
ES	00	P	LYR	DESCRIPTION	DATE	DWN	APVD
		-		SEE SHEET 1			

PART NUMBER	ROWS	SIGNAL						POWER								
		6	5	4	3	2	1	P9	P8	P7	P6	P5	P4	P3	P2	P1
6450372-1	D	H	H	H	H	H	H	RM	RM	RM	RM	RM	RM	RA	RM	RM
	C	G	G	G	G	G	G									
	B	F	F	F	F	F	F									
	A	E	E	E	E	E	E									

3ACP + 6P + 24S



CODE	TAIL LENGTH	TYPE
RM	.135	STD
RA	.135	MFBL

CODE	TAIL LENGTH	ROW
H	.135	D
G	.135	C
F	.135	B
E	.135	A

THIS DRAWING IS A CONTROLLED DOCUMENT. DWN: R. GRZYBOWSKI 29AUG05
 CHK: M. PERCHERKE 29AUG05
 APVD: M. PERCHERKE

DIMENSIONS: INCHES. TOLERANCES UNLESS OTHERWISE SPECIFIED:
 0 PLC ±.01
 1 PLC ±.01
 2 PLC ±.01
 3 PLC ±.005
 4 PLC ±.002
 ANGLES ±.020

MATERIAL: FINISH:

WEIGHT: 114-13038
 CUSTOMER DRAWING

NAME: RIGHT ANGLE RECEPTACLE ASSEMBLY WITH GUIDES, SOLDER CONTACT MULTI-BEAM XL
 PRODUCT SPEC: 108-1973
 APPLICATION SPEC: 114-13038

SIZE: A1
 CAGE CODE: 6450372
 DRAWING NO: 100779

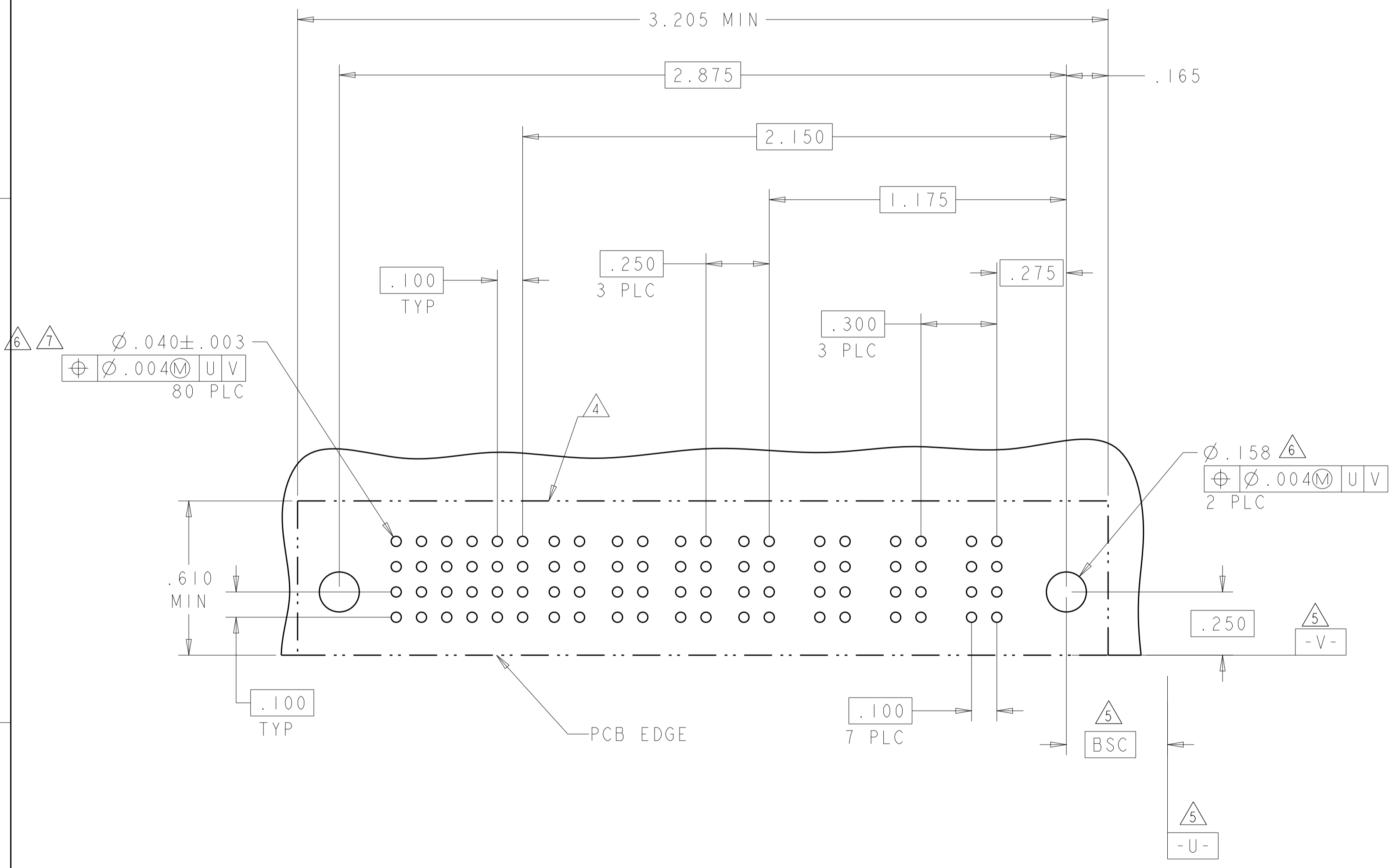
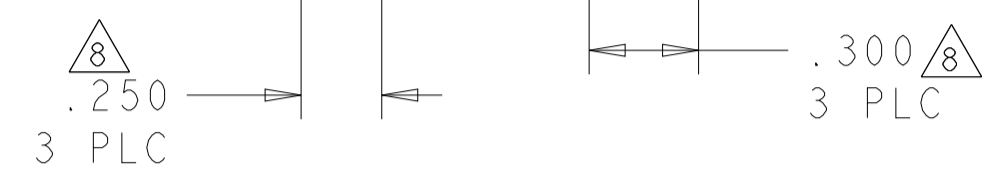
RESTRICTED TO: B1

SCALE: 4:1 SHEET 2 OF 3 REV: B1

LOC	DIST	REVISIONS					
		P.	LTH	DESCRIPTION	DATE	DNW	APVD
ES	00	-	-	SEE SHEET 1	-	-	-

PART NUMBER	ROWS	SIGNAL						POWER						
		6	5	4	3	2	1	P7	P6	P5	P4	P3	P2	P1
6450372-3	D	H	H	H	H	H	H	RM	RM	RM	RM	RA	RM	RM
	C	G	G	G	G	G	G							
	B	F	F	F	F	F	F							
	A	E	E	E	E	E	E							

3ACP + 4P + 24S



THIS DRAWING IS A CONTROLLED DOCUMENT.		DNW: R. GRZYBOWSKI 29AUG05	TE Connectivity
DIMENSIONS: INCHES		CHK: M. PERCHERKE 29AUG05	
TOLERANCES UNLESS OTHERWISE SPECIFIED: 0 PLC ±. 1 PLC ±.01 2 PLC ±.01 3 PLC ±.005 4 PLC ±.0020 ANGLES ±.7°		APVD: M. PERCHERKE	NAME: RIGHT ANGLE RECEPTACLE ASSEMBLY WITH GUIDES, SOLDER CONTACT MULTI-BEAM XL
MATERIAL: -		FINISH: -	PRODUCT SPEC: 108-1973
SCALE: 4:1		WEIGHT: -	APPLICATION SPEC: 114-13038
SHEET 3 OF 3		CAGE CODE: A100779	DRAWING NO: C=6450372
CUSTOMER DRAWING		RESTRICTED TO: -	REV: B1