



Chipsmall Limited consists of a professional team with an average of over 10 year of expertise in the distribution of electronic components. Based in Hongkong, we have already established firm and mutual-benefit business relationships with customers from,Europe,America and south Asia,supplying obsolete and hard-to-find components to meet their specific needs.

With the principle of “Quality Parts,Customers Priority,Honest Operation,and Considerate Service”,our business mainly focus on the distribution of electronic components. Line cards we deal with include Microchip,ALPS,ROHM,Xilinx,Pulse,ON,Everlight and Freescale. Main products comprise IC,Modules,Potentiometer,IC Socket,Relay,Connector.Our parts cover such applications as commercial,industrial, and automotives areas.

We are looking forward to setting up business relationship with you and hope to provide you with the best service and solution. Let us make a better world for our industry!



Contact us

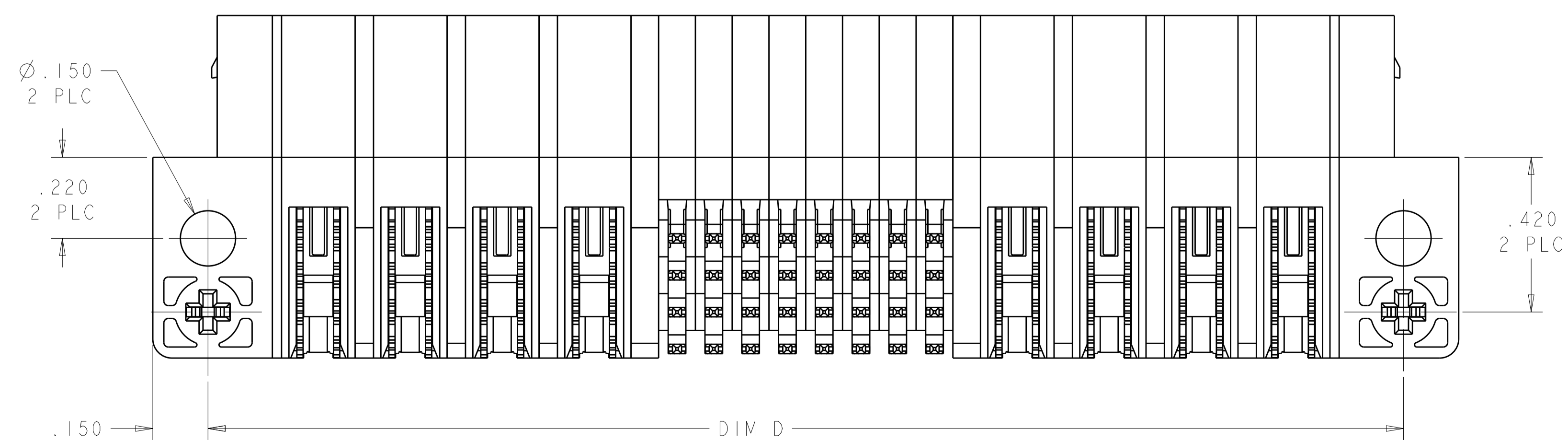
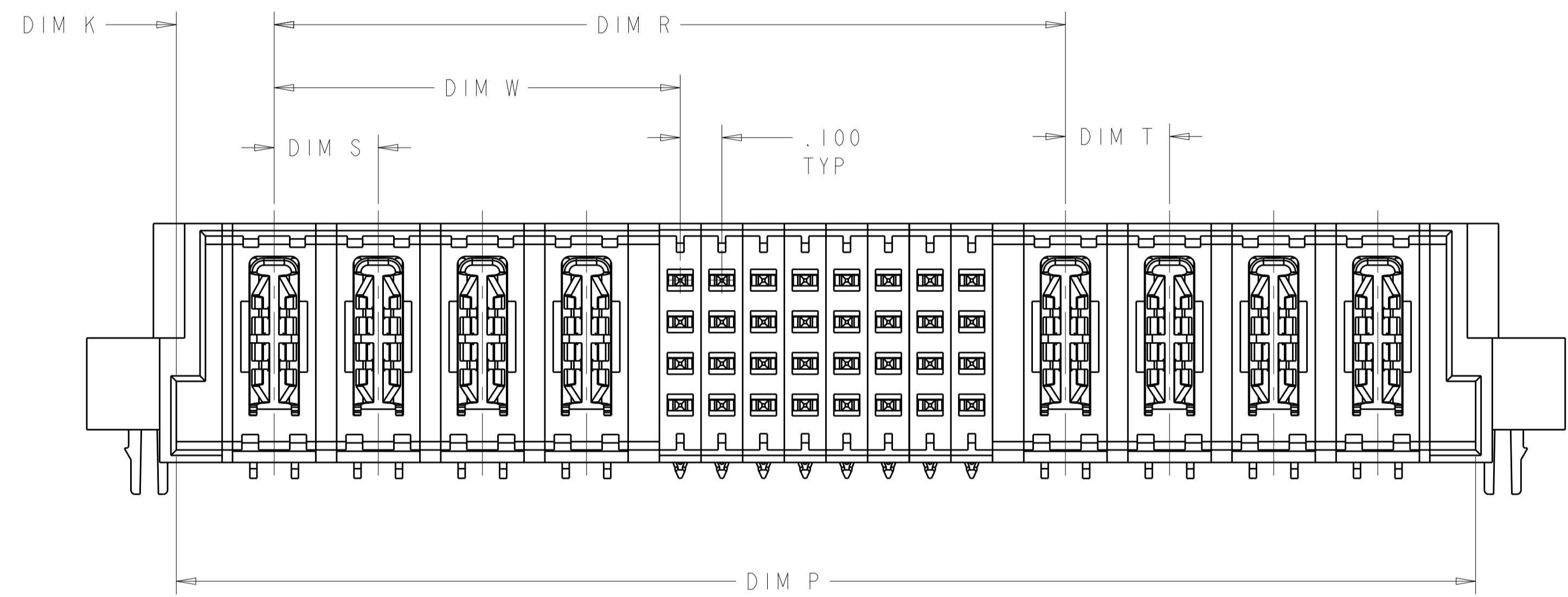
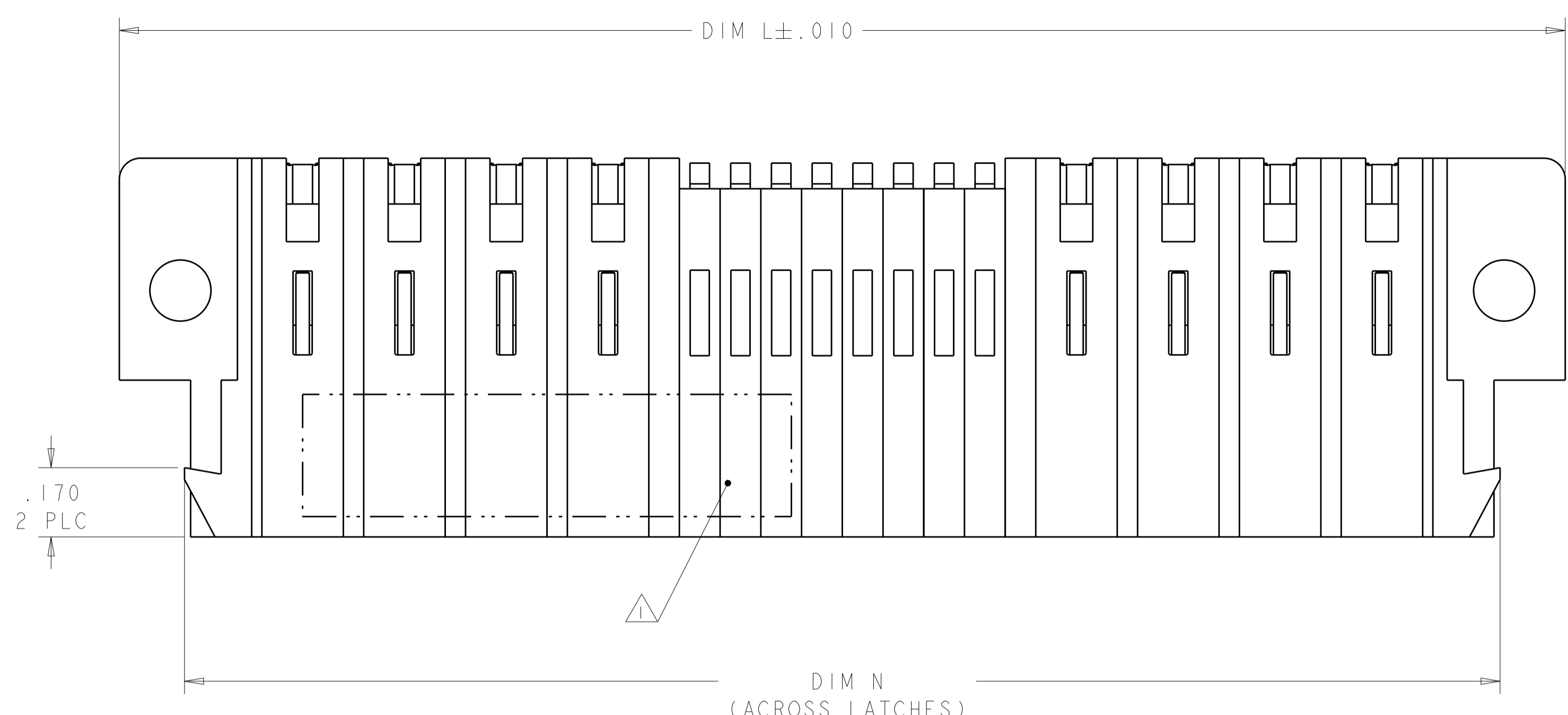
Tel: +86-755-8981 8866 Fax: +86-755-8427 6832

Email & Skype: info@chipsmall.com Web: www.chipsmall.com

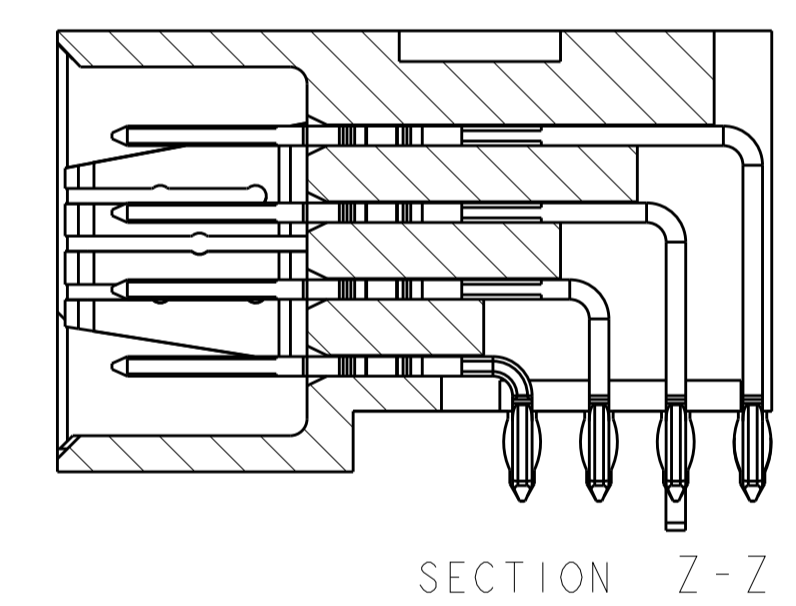
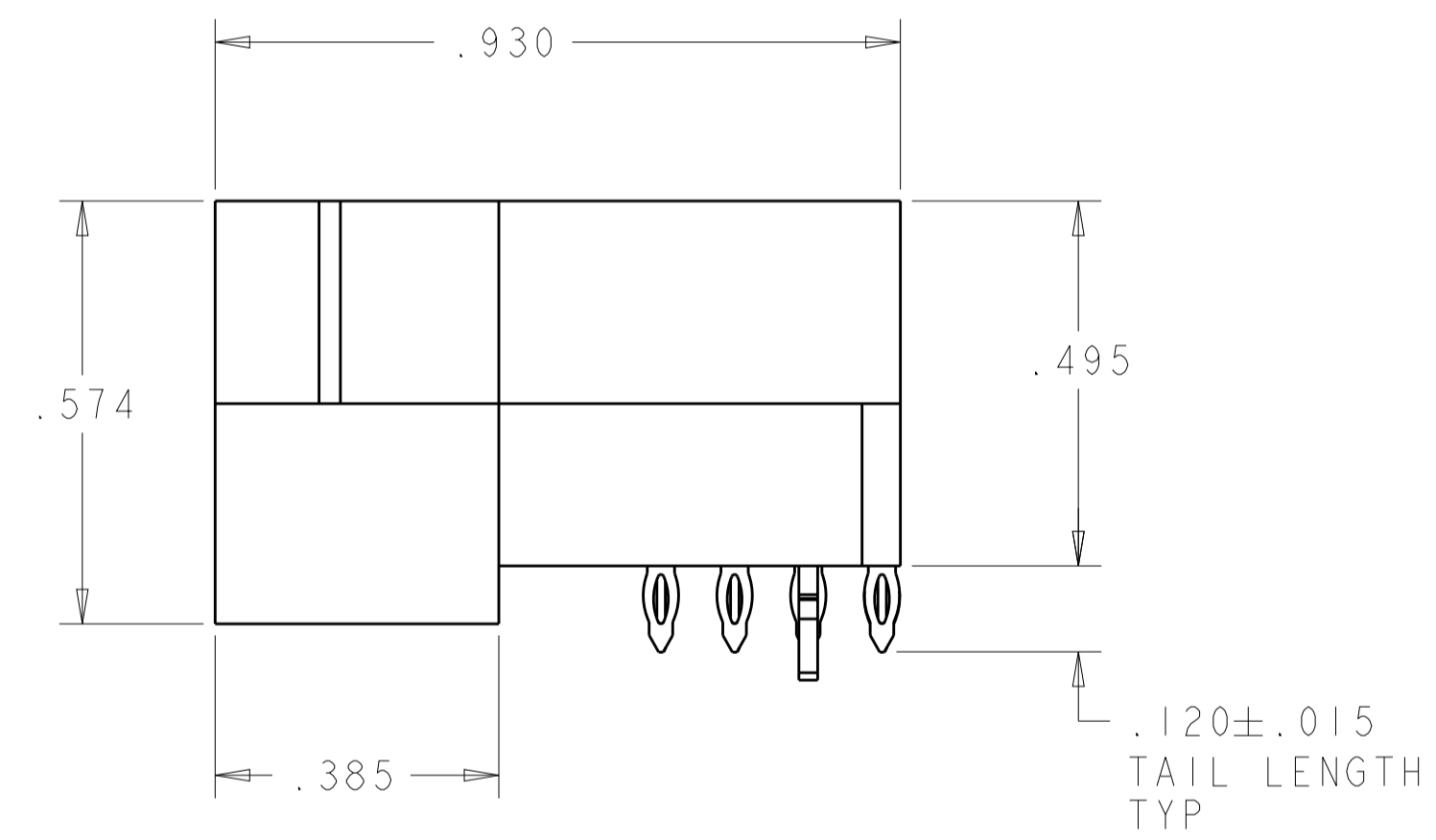
Address: A1208, Overseas Decoration Building, #122 Zhenhua RD., Futian, Shenzhen, China



LOC	DIST	REVISIONS					
		P	LTN	DESCRIPTION	DATE	DWN	APVD
ES	00	A7		ADDED NEW DASH NUMBER -8	26JUL2012	CZ	SZ
		A8		REVISED FOR -8	03AUG2012	CZ	SZ



- 1 "AMP" PART NUMBER AND DATE CODE TO BE MARKED IN AREA SHOWN. PARTS UNDER 2.00 INCHES LONG MAY BE MARKED ON BOTH SIDES.
- 2 MATERIAL: HOUSING - GLASS FILLED HIGH TEMP THERMO PLASTIC, UL 94 V-0
SIGNAL CONTACT - COPPER ALLOY
POWER CONTACT - HIGH CONDUCTIVITY COPPER ALLOY.
- 3 CONTACT PLATING: NOBLE METAL PLATING ON CONTACT FUNCTIONAL AREA OF POWER AND SIGNAL CONTACTS
- 4 MECHANICAL CONNECTOR KEEP OUT ZONE. WHEN PLACING CONNECTORS END-TO-END, ALLOW ADDITIONAL 0.1 CLEARANCE BETWEEN CONNECTORS FOR LATCH ACTIVATION.
- 5 DATUM AND BASIC DIMENSIONS ESTABLISHED BY CUSTOMER.
- 6 PCB - ALL HOLE DIAMETERS ARE FINISHED HOLE SIZES.
- 7 PCB - .0453±.0010 DRILLED HOLES PLATED WITH .0003 MIN Sn OVER .001 TO .003 Cu PLATING TO ACHIEVE A .040 DIA HOLE.
- 8 FOR CONFIGURATION "S" DIMENSIONS PLEASE REFER TO SHEET 2.



A7	1.400	-	.300	1.270	1.380	-	.850	1.700	.235	3ACP + 4S	6450528-8
	1.975	-	-	1.845	1.955	-	-	2.275	.185	64S	6450528-7
	2.750	-	.300	2.620	2.730	-	2.050	3.050	.260	7ACP + 8S	6450528-6
	3.100	.300	.300	2.970	3.080	1.800	.850	3.400	.285	3ACP + 32S + 3ACP	6450528-5
	1.050	-	-	.920	1.030	.450	.225	1.350	.235	1P + 4S + 1P	6450528-4
	3.350	-	.300	3.220	3.330	-	2.300	3.650	.260	8ACP + 24S	6450528-3
	3.250	.250	.250	3.120	3.230	1.900	.975	3.550	.235	4P + 32S + 4P	6450528-1
	DIM D	DIM T	DIM S	DIM P	DIM N	DIM R	DIM W	DIM L	DIM K	DESCRIPTION	PART NUMBER

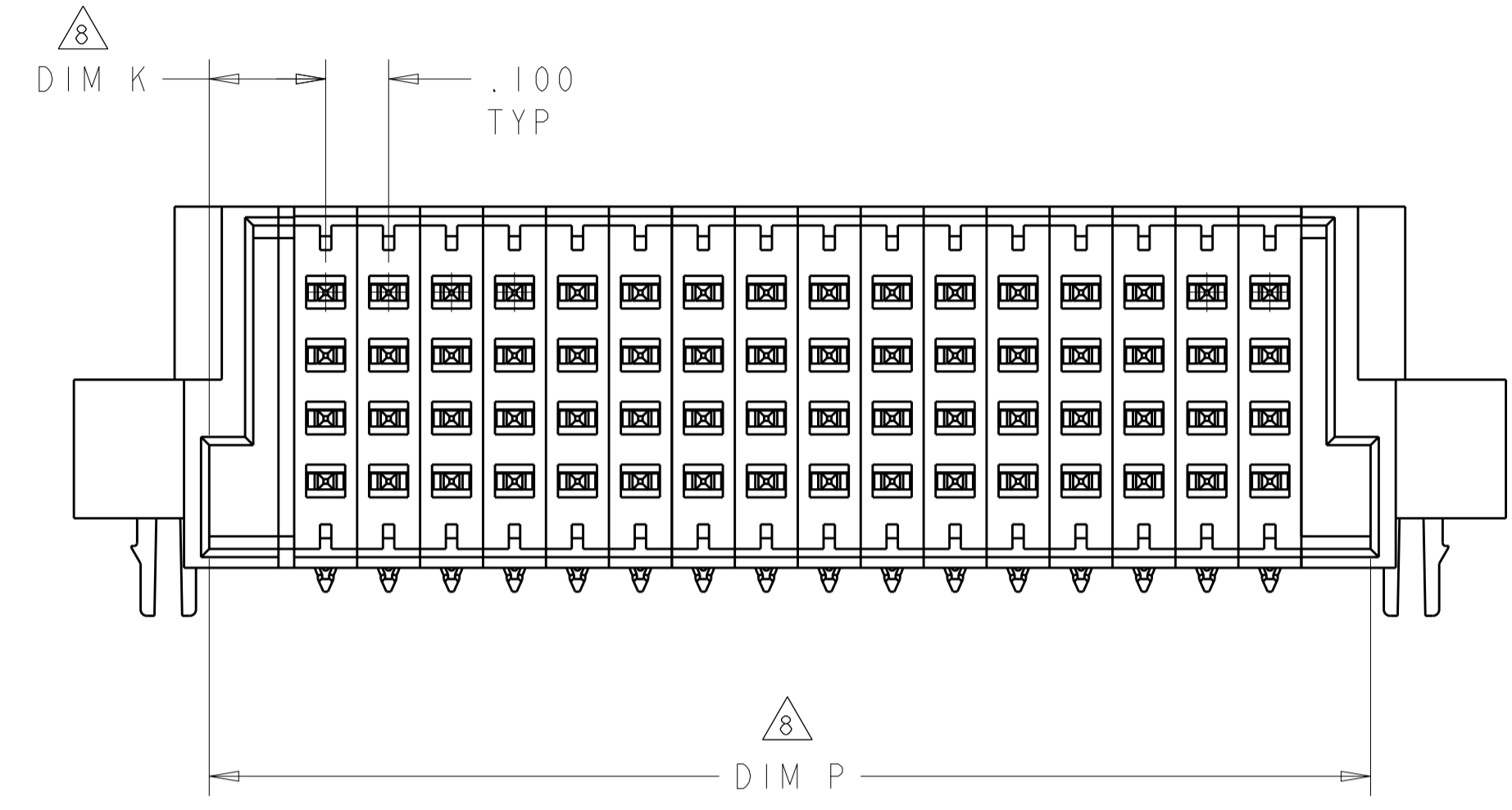
THIS DRAWING IS A CONTROLLED DOCUMENT. DIMENSIONS: INCHES. TOLERANCES UNLESS OTHERWISE SPECIFIED: 0 PLC ±.01, 1 PLC ±.01, 2 PLC ±.01, 3 PLC ±.005, 4 PLC ±.0020. MATERIAL: 2. FINISH: 3.

DATE: 25JUL2006. DWN: CECILY.ZHOU. CHK: S.ZHAO. APVD: S.ZHAO. NAME: S.ZHAO. PRODUCT SPEC: 108-1973. APPLICATION SPEC: 114-13038. WEIGHT: -. CUSTOMER DRAWING. SCALE: 4:1. SHEET 1 OF 7. REV B.

STE TE Connectivity
RIGHT ANGLE HEADER ASSEMBLY W/END LATCHES MULTI-BEAM XL
A100779C=6450528

THIS DRAWING IS UNPUBLISHED. RELEASED FOR PUBLICATION 20
COPYRIGHT 20 ALL RIGHTS RESERVED.

LOC		DIST		REVISIONS			
ES	00	P	LTN	DESCRIPTION	DATE	DMN	APVD
		-		SEE SHEET 1	-	-	-

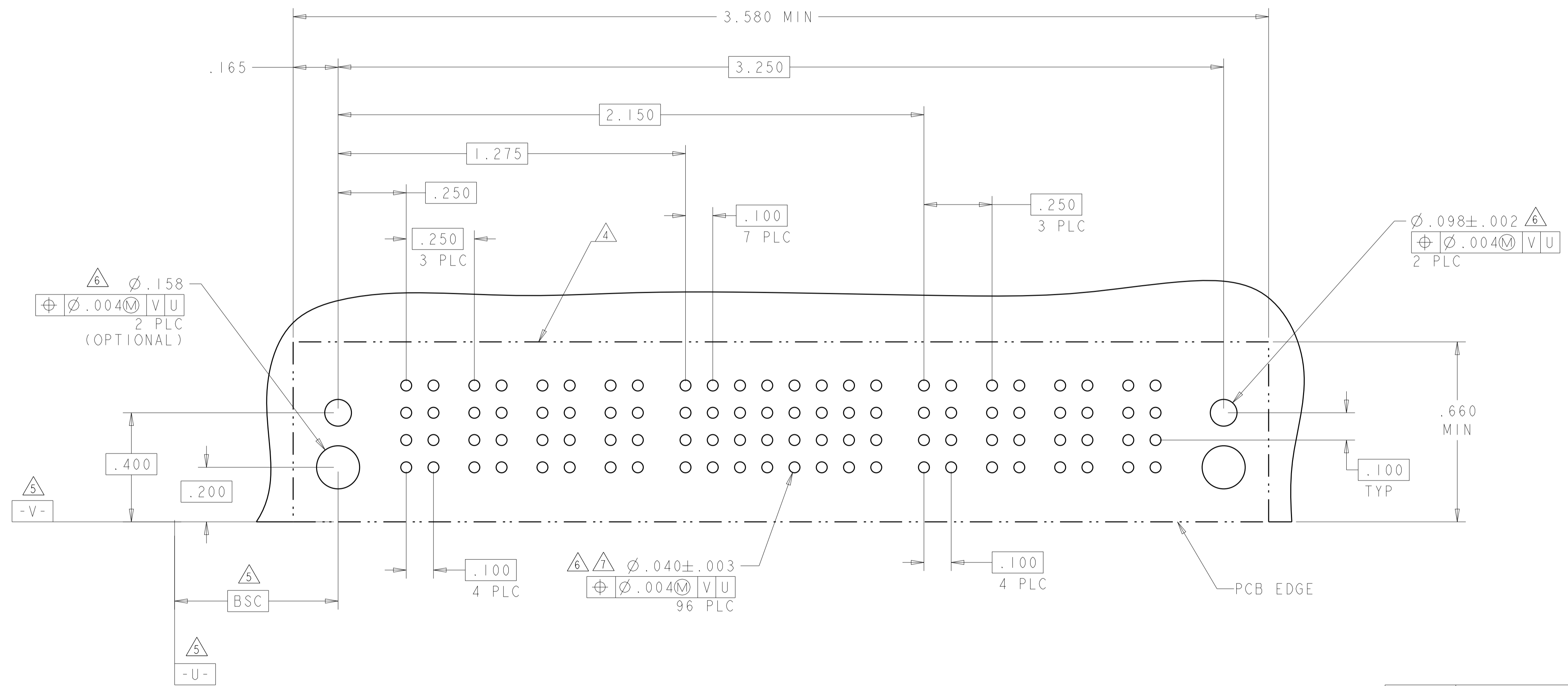


FOR CONFIGURATION "S", OTHER DIMENSIONS PLEASE REFER TO SHEET 1

THIS DRAWING IS A CONTROLLED DOCUMENT.		DMN G. CECILY, ZHOU 25JUL2006	STE TE Connectivity														
DIMENSIONS: INCHES		CHK S. ZHAO 25JUL2006															
TOLERANCES UNLESS OTHERWISE SPECIFIED:		APVD S. ZHAO 25JUL2006	NAME RIGHT ANGLE HEADER ASSEMBLY W/END LATCHES MULTI-BEAM XL														
<table border="1"> <tr><td>0 PLC</td><td>±</td></tr> <tr><td>1 PLC</td><td>±.01</td></tr> <tr><td>2 PLC</td><td>±.01</td></tr> <tr><td>3 PLC</td><td>±.005</td></tr> <tr><td>4 PLC</td><td>±.0020</td></tr> <tr><td>ANGLES</td><td>±.2°</td></tr> <tr><td>FINISH</td><td>-</td></tr> </table>		0 PLC	±	1 PLC	±.01	2 PLC	±.01	3 PLC	±.005	4 PLC	±.0020	ANGLES	±.2°	FINISH	-	PRODUCT SPEC 108-1973	SIZE A100779
0 PLC	±																
1 PLC	±.01																
2 PLC	±.01																
3 PLC	±.005																
4 PLC	±.0020																
ANGLES	±.2°																
FINISH	-																
MATERIAL -		APPLICATION SPEC 114-13038	CAGE CODE DRAWING NO C=6450528														
WEIGHT -		RESTRICTED TO -	SCALE 4:1 SHEET 2 OF 7 REV B														
CUSTOMER DRAWING																	

LOC	DIST	REVISIONS					
		P	LTN	DESCRIPTION	DATE	DWN	APVD
ES	00	-	-	SEE SHEET 1	-	-	-

PART NUMBER	ROWS	POWER				SIGNAL								POWER			
		P1	P2	P3	P4	1	2	3	4	5	6	7	8	P5	P6	P7	P8
6450528-1	D	PT	PT	PT	PT	Z5	Z5	Z5	Z5	Z5	Z5	Z5	Z5	PT	PT	PT	PT
	C					Y5	Y5	Y5	Y5	Y5	Y5	Y5	Y5				
	B					R5	R5	R5	R5	R5	R5	R5	R5				
A						O5	O5	O5	O5	O5	O5	O5					
4P + 32S + 4P		HD															



PT	.120
CODE	TAIL LENGTH
POWER CONTACT	

Z5	STD	D
Y5	STD	C
R5	STD	B
O5	STD	A
CODE	MATING SEQUENCE	ROW
SIGNAL CONTACT		

THIS DRAWING IS A CONTROLLED DOCUMENT. DWN: CECILY.ZHOU 25JUL2006, CHK: S.ZHAO 25JUL2006, APVD: S.ZHAO 25JUL2006

DIMENSIONS: INCHES. TOLERANCES UNLESS OTHERWISE SPECIFIED: 0 PLC ±.01, 1 PLC ±.01, 2 PLC ±.01, 3 PLC ±.005, 4 PLC ±.0020, ANGLES ±.020

MATERIAL: FINISH: CUSTOMER DRAWING

SCALE: 4:1 SHEET 3 OF 7 REV B

STE TE Connectivity

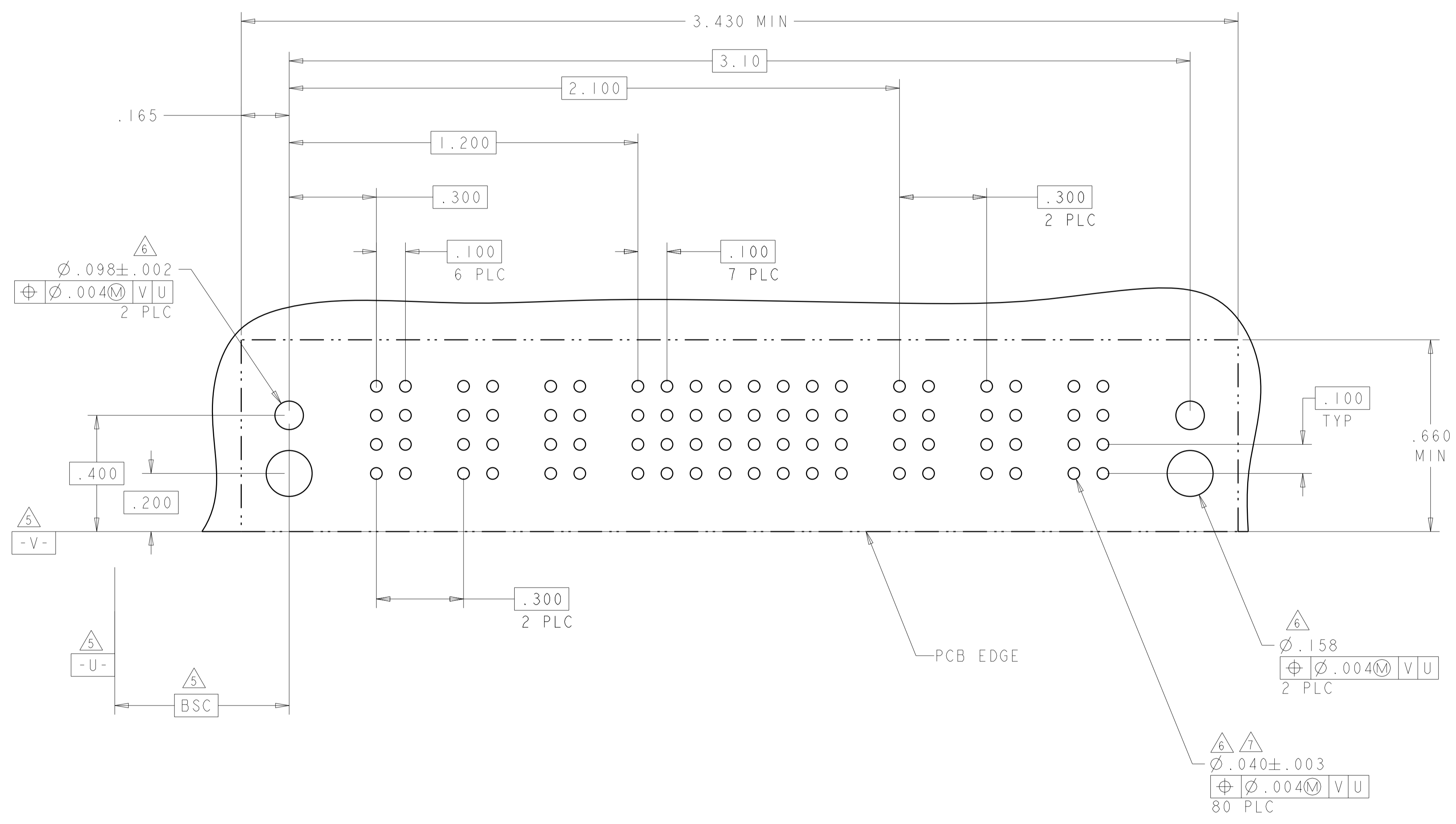
RIGHT ANGLE HEADER ASSEMBLY W/END LATCHES MULTI-BEAM XL

SIZE: A1 CAGE CODE: 114-13038 DRAWING NO: 100779 ©=6450528

LOC		DIST		REVISIONS			
ES	00	P	LTH	DESCRIPTION	DATE	DMN	APVD
		-		SEE SHEET 1			

PART NUMBER	ROWS	POWER			SIGNAL								POWER		
		P1	P2	P3	1	2	3	4	5	6	7	8	P4	P5	P6
6450528-5	D				Z5	Z5	Z5	Z5	Z5	Z5	Z5	Z5			
	C				Y5	Y5	Y5	Y5	Y5	Y5	Y5	Y5	PT	PT	PT
	B				R5	R5	R5	R5	R5	R5	R5	R5			
	A	HD			O5	O5	O5	O5	O5	O5	O5	O5			HD

3ACP + 32S + 3ACP

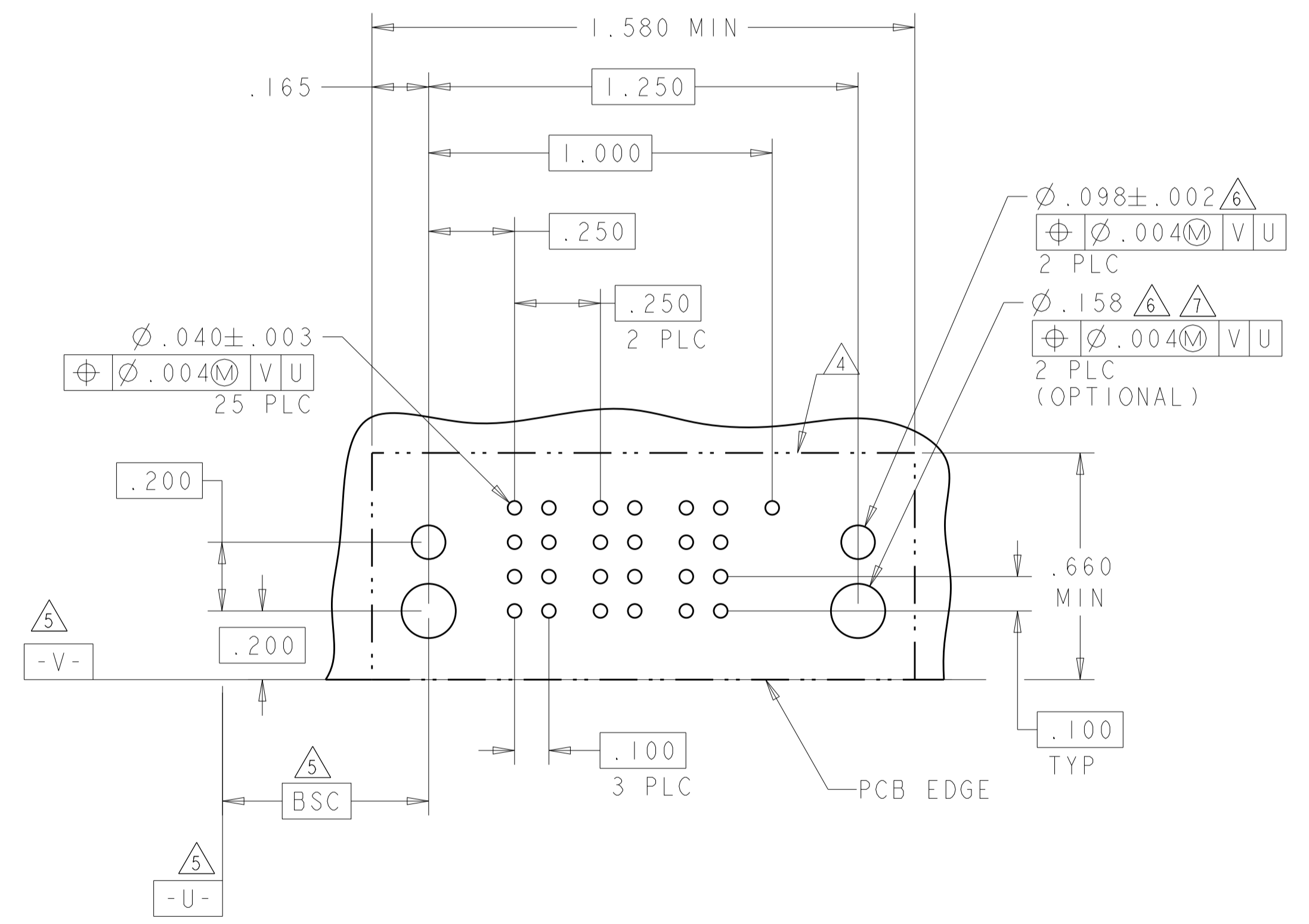
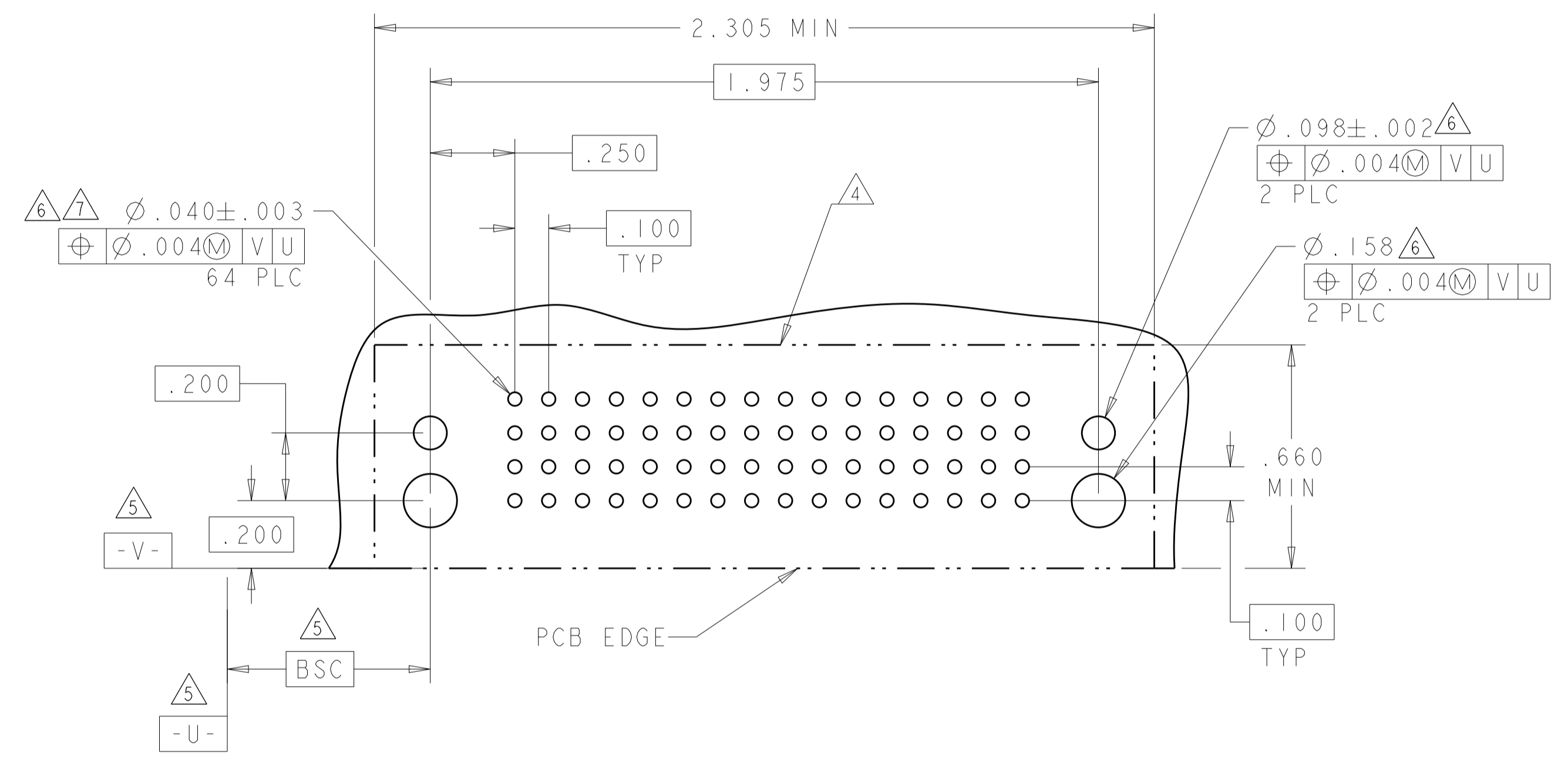


THIS DRAWING IS A CONTROLLED DOCUMENT.		DMN: G. CECILY, ZHOU CHK: S. ZHAO APVD: S. ZHAO	25JUL2006 25JUL2006 25JUL2006	 TE Connectivity	NAME: RIGHT ANGLE HEADER ASSEMBLY W/END LATCHES MULTI-BEAM XL	
DIMENSIONS: INCHES	TOLERANCES UNLESS OTHERWISE SPECIFIED:	PRODUCT SPEC 108-1973	APPLICATION SPEC 114-13038			SIZE: A1 CAGE CODE: 00779 DRAWING NO: 6450528
MATERIAL: -	FINISH: -	WEIGHT: -	CUSTOMER DRAWING	SCALE: 4:1	SHEET 5 OF 7	REV B

LOC	DIST	REVISIONS					
ES	00	P	LTN	DESCRIPTION	DATE	DMN	APVD
		-		SEE SHEET 1			

PART NUMBER	ROWS	SIGNAL														POWER				
		1	2	3	4	5	6	7	8	9	10	11	12	13	14	15	16	P5	P6	P7
6450528-7	D C B A	Z5	Z5	Z5	Z5	Z5	Z5	Z5	Z5	Z5	Z5	Z5	Z5	Z5	Z5	Z5				
		Y5	Y5	Y5	Y5	Y5	Y5	Y5	Y5	Y5	Y5	Y5	Y5	Y5	Y5	Y5				
		R5	R5	R5	R5	R5	R5	R5	R5	R5	R5	R5	R5	R5	R5	R5				
64S		05	05	05	05	05	05	05	05	05	05	05	05	05	05					

PART NUMBER	ROWS	POWER			SIGNAL
		P1	P2	P3	I
6450528-8	D C B A				Z5
		PT	PT	PT	
3P + 4S					



NO CONTACTS LOADED

THIS DRAWING IS A CONTROLLED DOCUMENT.		DMN: GECILY.ZHOU 25JUL2006	TE Connectivity												
DIMENSIONS: INCHES		CHK: S.ZHAO 25JUL2006													
TOLERANCES UNLESS OTHERWISE SPECIFIED:		APVD: S.ZHAO 25JUL2006	NAME: RIGHT ANGLE HEADER ASSEMBLY W/END LATCHES MULTI-BEAM XL												
<table border="1"> <tr><td>0 PLC</td><td>±</td></tr> <tr><td>1 PLC</td><td>±.01</td></tr> <tr><td>2 PLC</td><td>±.01</td></tr> <tr><td>3 PLC</td><td>±.005</td></tr> <tr><td>4 PLC</td><td>±.0020</td></tr> <tr><td>ANGLES</td><td>±.2°</td></tr> </table>		0 PLC	±	1 PLC	±.01	2 PLC	±.01	3 PLC	±.005	4 PLC	±.0020	ANGLES	±.2°	PRODUCT SPEC: 108-1973	RESTRICTED TO: -
0 PLC	±														
1 PLC	±.01														
2 PLC	±.01														
3 PLC	±.005														
4 PLC	±.0020														
ANGLES	±.2°														
MATERIAL: -		APPLICATION SPEC: 114-13038	SIZE: A100779												
FINISH: -		WEIGHT: -	CAGE CODE: 6450528												
CUSTOMER DRAWING		SCALE: 4:1	SHEET 7 OF 7 REV B												