



Chipsmall Limited consists of a professional team with an average of over 10 year of expertise in the distribution of electronic components. Based in Hongkong, we have already established firm and mutual-benefit business relationships with customers from,Europe,America and south Asia,supplying obsolete and hard-to-find components to meet their specific needs.

With the principle of “Quality Parts,Customers Priority,Honest Operation,and Considerate Service”,our business mainly focus on the distribution of electronic components. Line cards we deal with include Microchip,ALPS,ROHM,Xilinx,Pulse,ON,Everlight and Freescale. Main products comprise IC,Modules,Potentiometer,IC Socket,Relay,Connector.Our parts cover such applications as commercial,industrial, and automotives areas.

We are looking forward to setting up business relationship with you and hope to provide you with the best service and solution. Let us make a better world for our industry!



Contact us

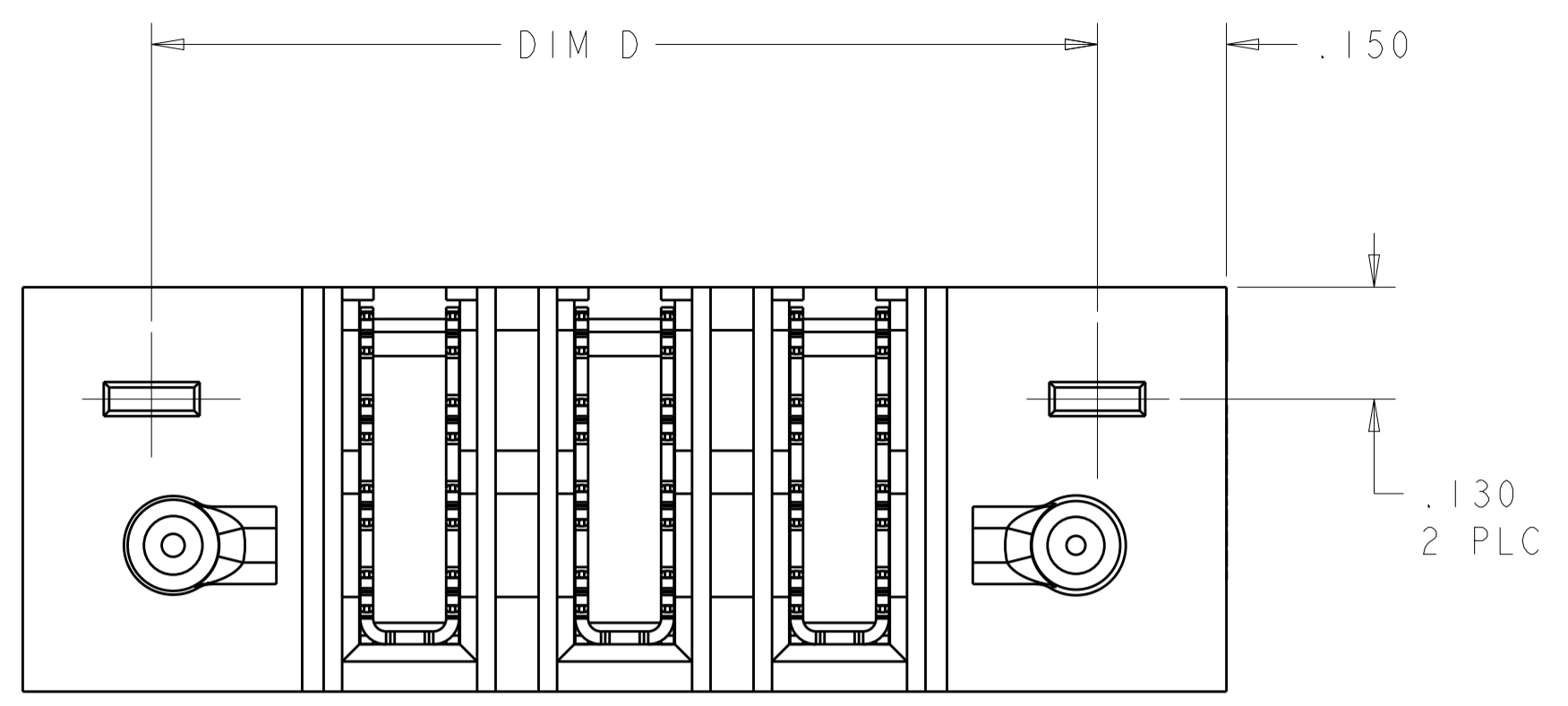
Tel: +86-755-8981 8866 Fax: +86-755-8427 6832

Email & Skype: info@chipsmall.com Web: www.chipsmall.com

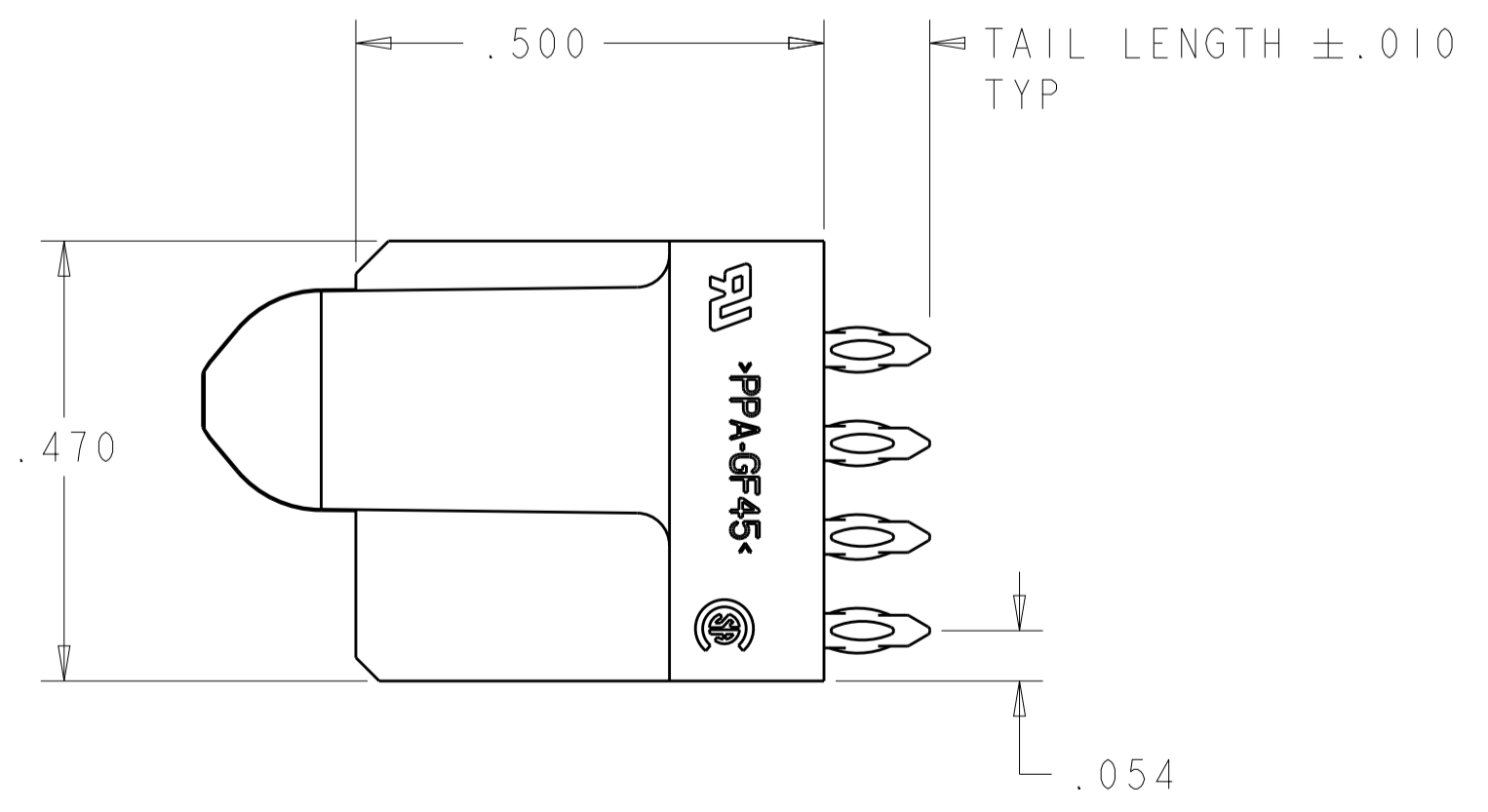
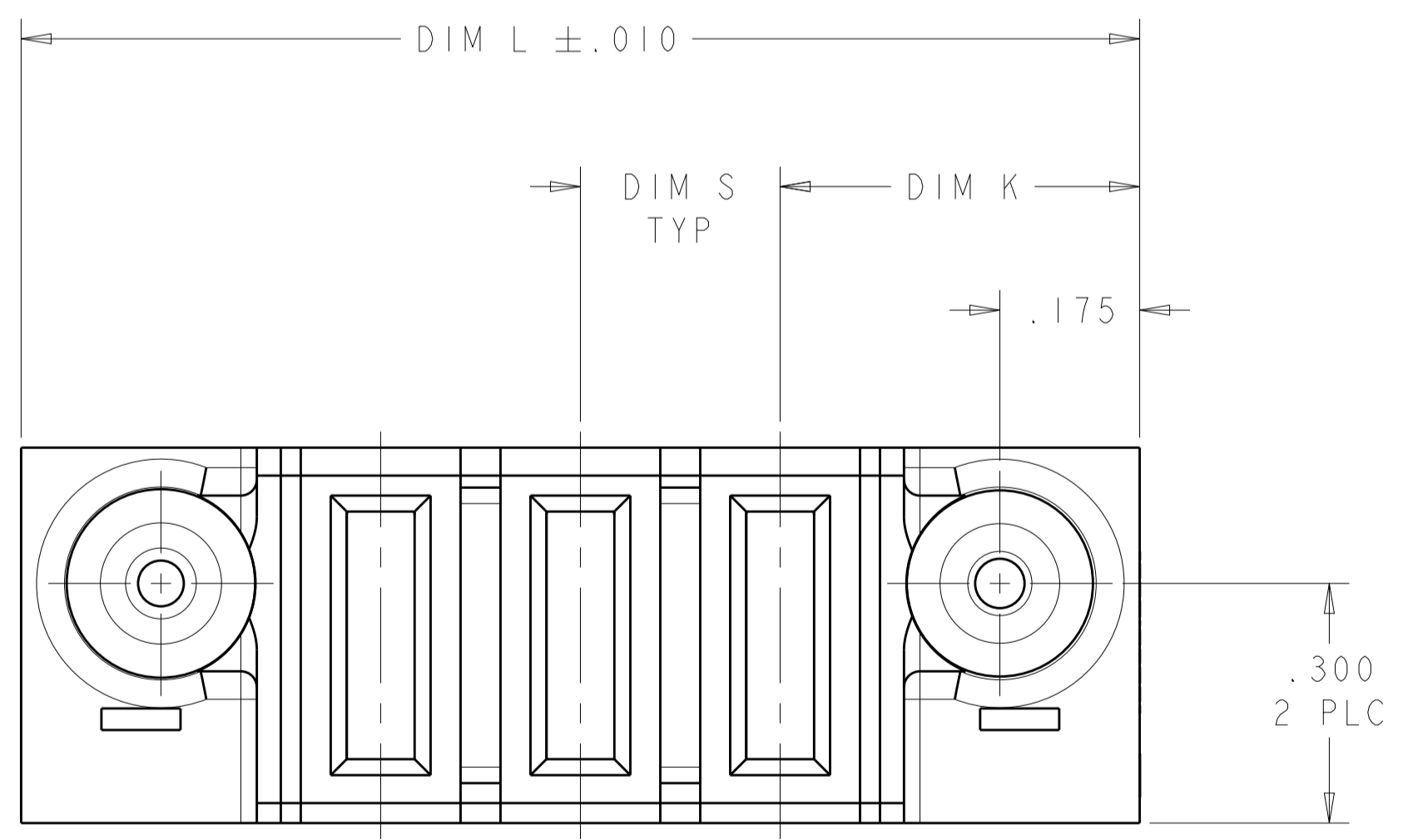
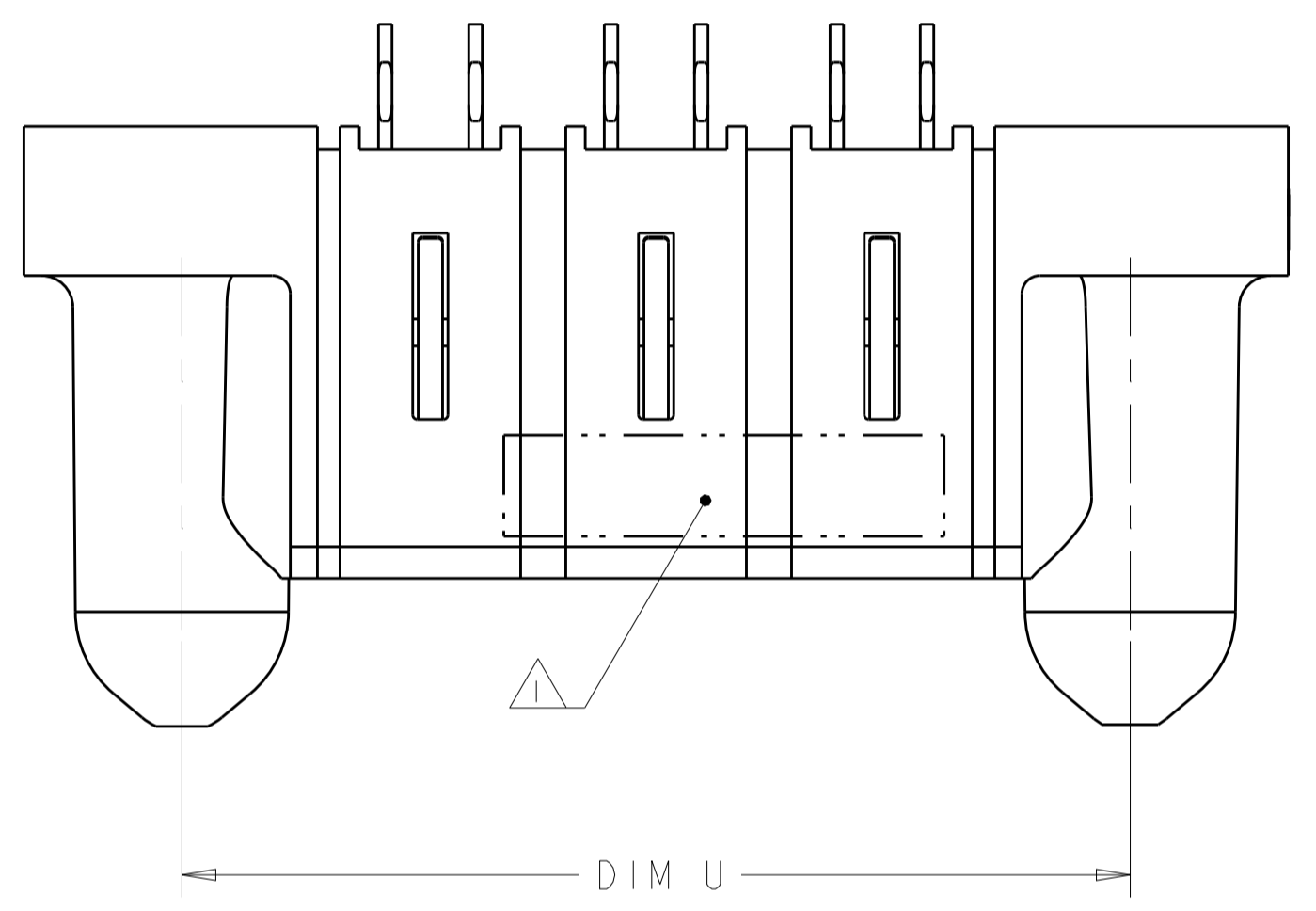
Address: A1208, Overseas Decoration Building, #122 Zhenhua RD., Futian, Shenzhen, China



LOC	DIST	REVISIONS			
P	LTH	DESCRIPTION	DATE	DWN	APVD
C5		ADD 1-6450543-3	07MAR2012	OL	SZ



- 1 "AMP", PART NUMBER AND DATE CODE TO BE MARKED IN AREA SHOWN
PARTS 2.00 OR LESS MAYBE MARKED ON BOTH SIDES
- 2 MATERIAL: HOUSING - GLASS FILLED HIGH TEMP THERMO PLASTIC, UL94 V-0
POWER CONTACT - HIGH CONDUCTIVITY COPPER ALLOY
- 3 CONTACT PLATING: NOBLE METAL PLATING ON CONTACT FUNCTIONAL AREA OF POWER AND SIGNAL CONTACTS
- 4 MECHANICAL CONNECTOR KEEP OUT ZONE
- 5 DATUM AND BASIC DIMENSIONS ESTABLISHED BY CUSTOMER
- 6 PCB - ALL HOLE DIMENSIONS ARE FINISHED HOLE SIZES
- 7 PCB - .0453 ±.0010 DRILLED HOLES, PLATED WITH .0003 MIN Sn OVER
.001 TO .003 Cu PLATING TO ACHIEVE A .040 DIA HOLE
- 8 FOR DETAIL DIMENSION, PLEASE REFER TO TALBE.



DIM U	DIM D	DIM S	DIM L	DIM K	DESCRIPTION	PART NUMBER
2.300	2.350	.250	2.650	.450	3P	1-6450543-3
1.200	-	.300	1.550	.475	3ACP	1-6450543-2
5.550	5.600	.200	5.900	.450	26P	1-6450543-1
1.800	1.850	.250	2.150	.450	6P	1-6450543-0
1.800	1.850	.250	2.150	.450	6P	6450543-9
2.550	2.600	.250	2.900	.450	9P	6450543-8
2.150	2.200	.200	2.500	.450	9HDP	6450543-7
1.200	1.250	.300	1.550	.475	3ACP	6450543-6
1.300	1.350	.250	1.650	.450	4P	6450543-5
.800	-	.250	1.150	.450	2P	6450543-4
2.050	-	.250	2.400	.450	7P	6450543-3
1.300	-	.250	1.650	.450	4P	6450543-2
1.050	-	.250	1.400	.450	3P	6450543-1

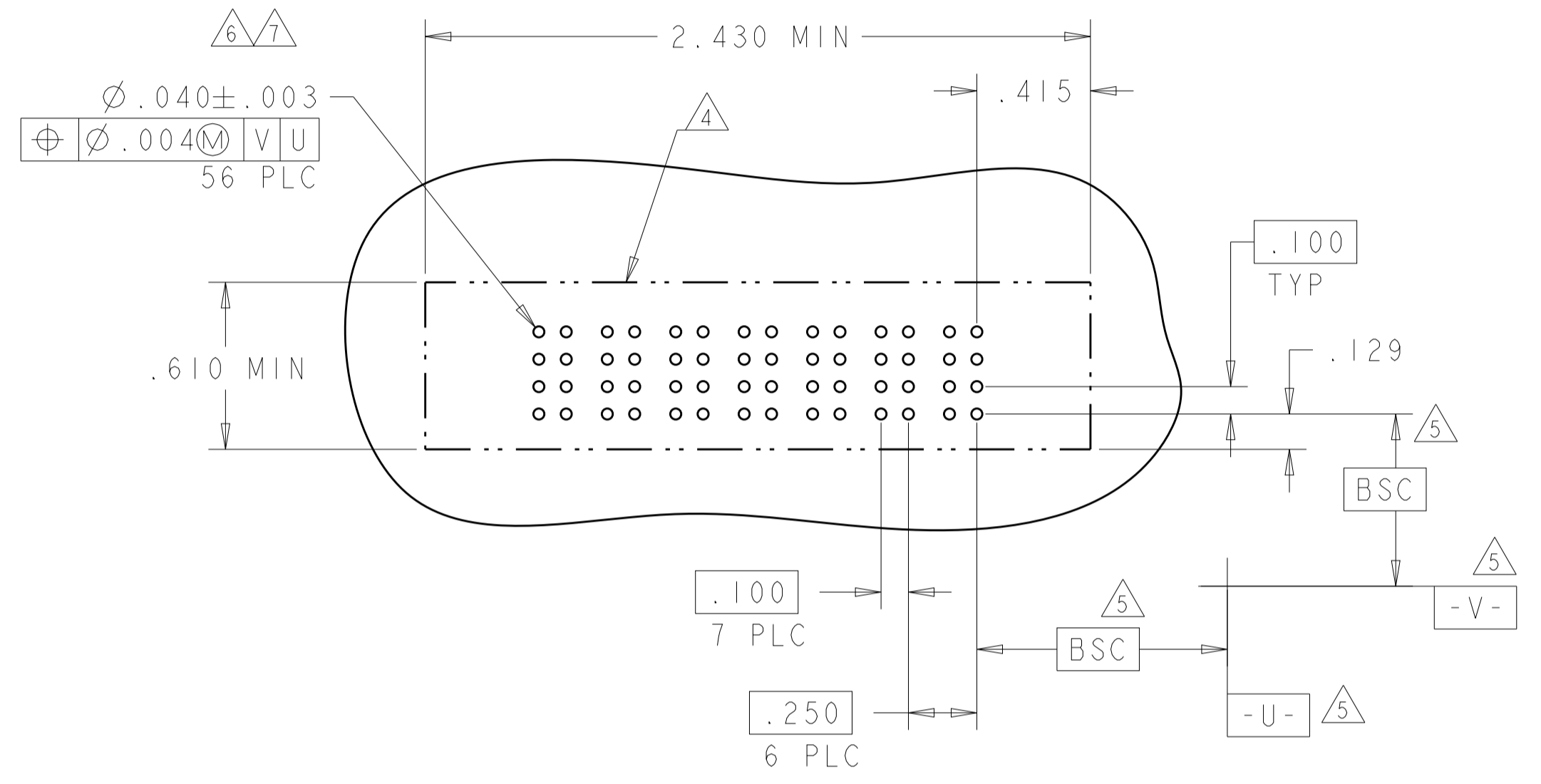
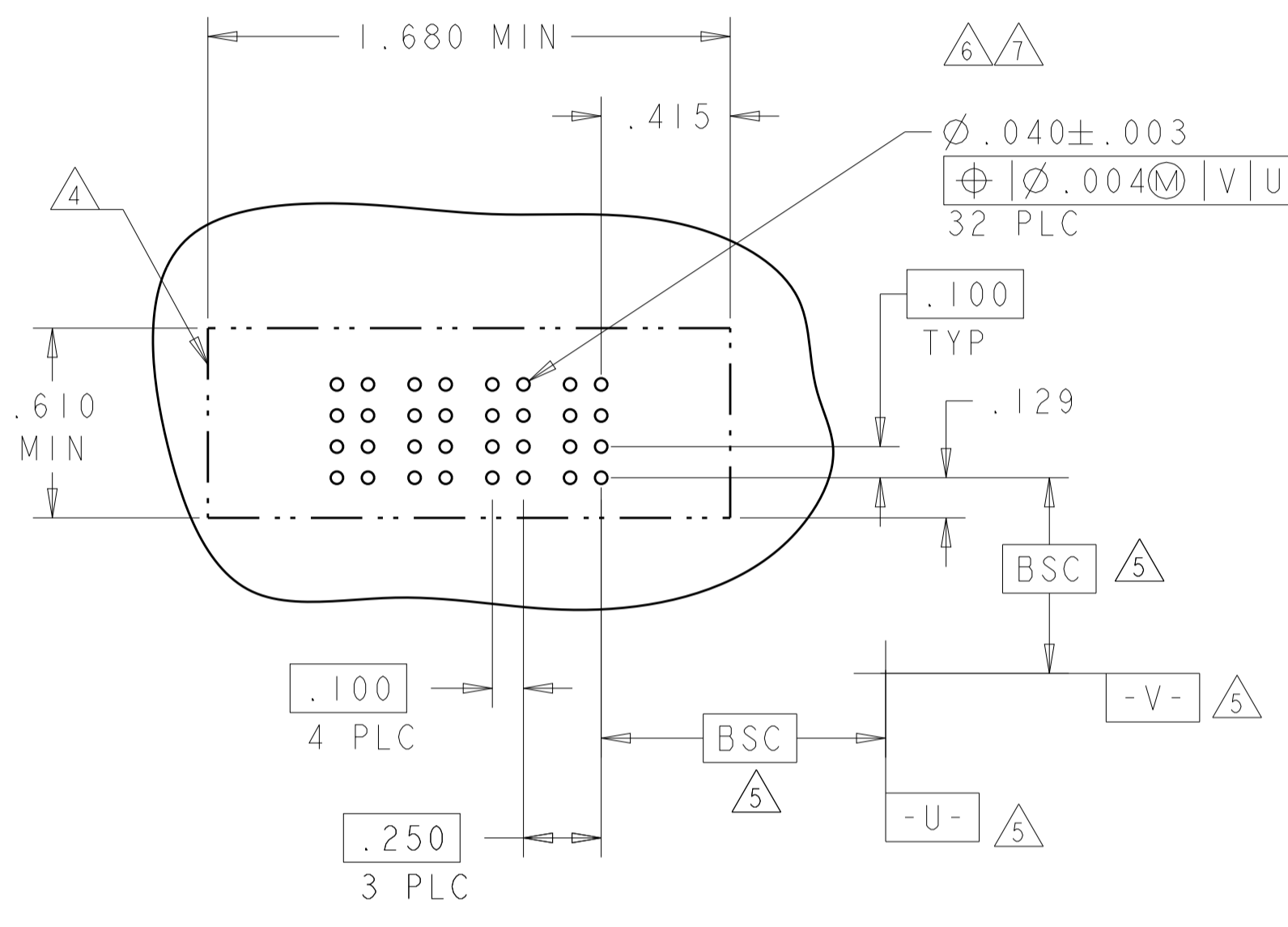
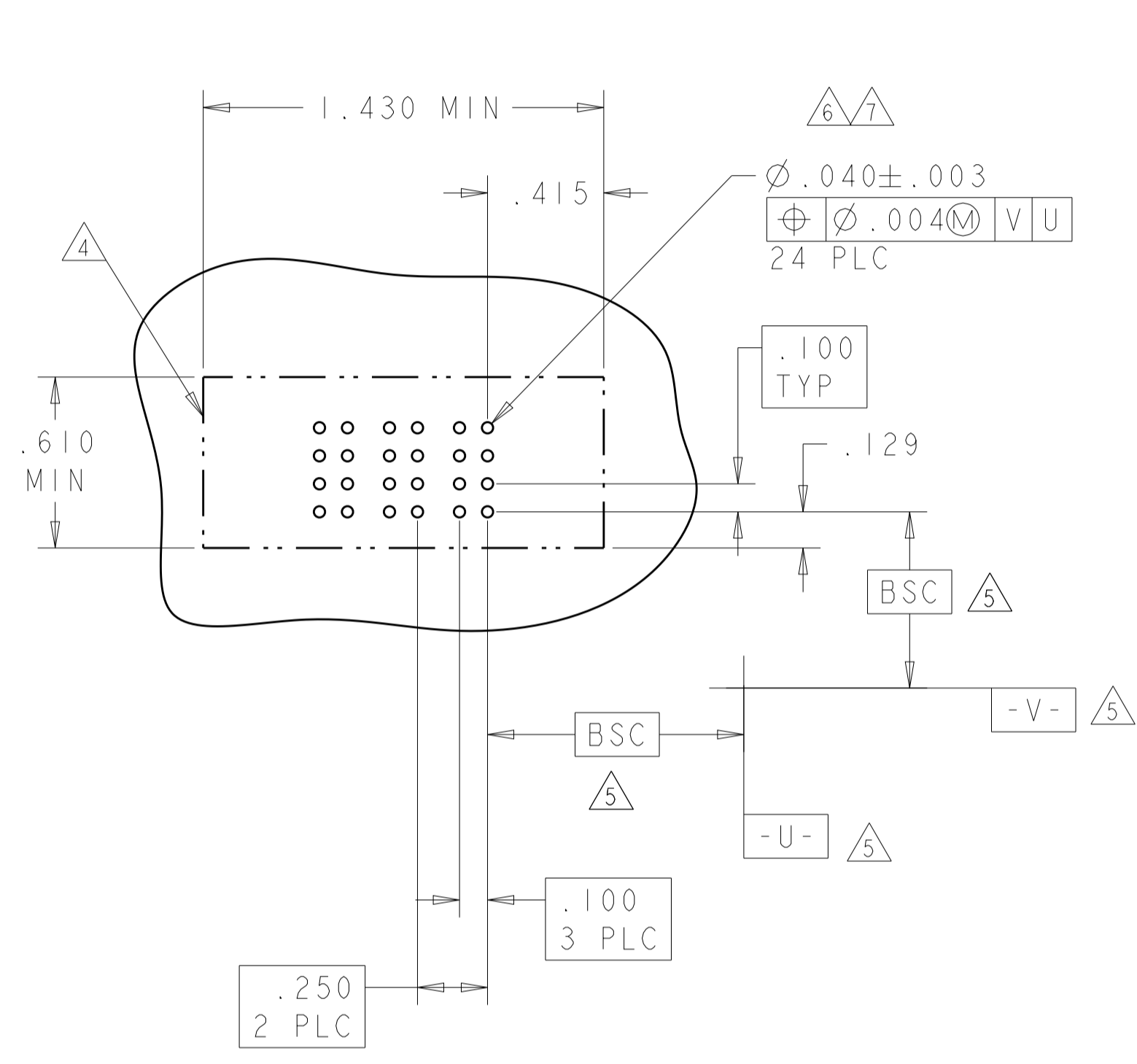
DIMENSIONS: INCHES TOLERANCES UNLESS OTHERWISE SPECIFIED: 0 PLC ±.01 1 PLC ±.01 2 PLC ±.01 3 PLC ±.005 4 PLC ±.0020 ANGLES ±.020 FINISH: 2, 3		DWN: R. GRZYBOWSKI 17MAY05 CHK: M. PERCHERKE 17MAY05 APVD: M. PERCHERKE PRODUCT SPEC: 108-1973 APPLICATION SPEC: 114-13038 WEIGHT: - CUSTOMER DRAWING	Tyco Electronics Corporation Harrisburg, PA 17105-3608 NAME: VERTICAL RECEPTACLE ASSEMBLY WITH GUIDES MULTI-BEAM XL SIZE: A1 CAGE CODE: 00779 DRAWING NO: 6450543 SCALE: 1:1 SHEET: 1 OF 5 REV: C5
---	--	---	--

LOC	DIST	REVISIONS			
P	LTN	DESCRIPTION	DATE	DMN	APVD
GP	00	SEE SHEET 1	-	-	-

PART NUMBER	ROWS	POWER				
		P3	P2	P1		
6450543-1	D C B A	GP	GP	GP		
3P						

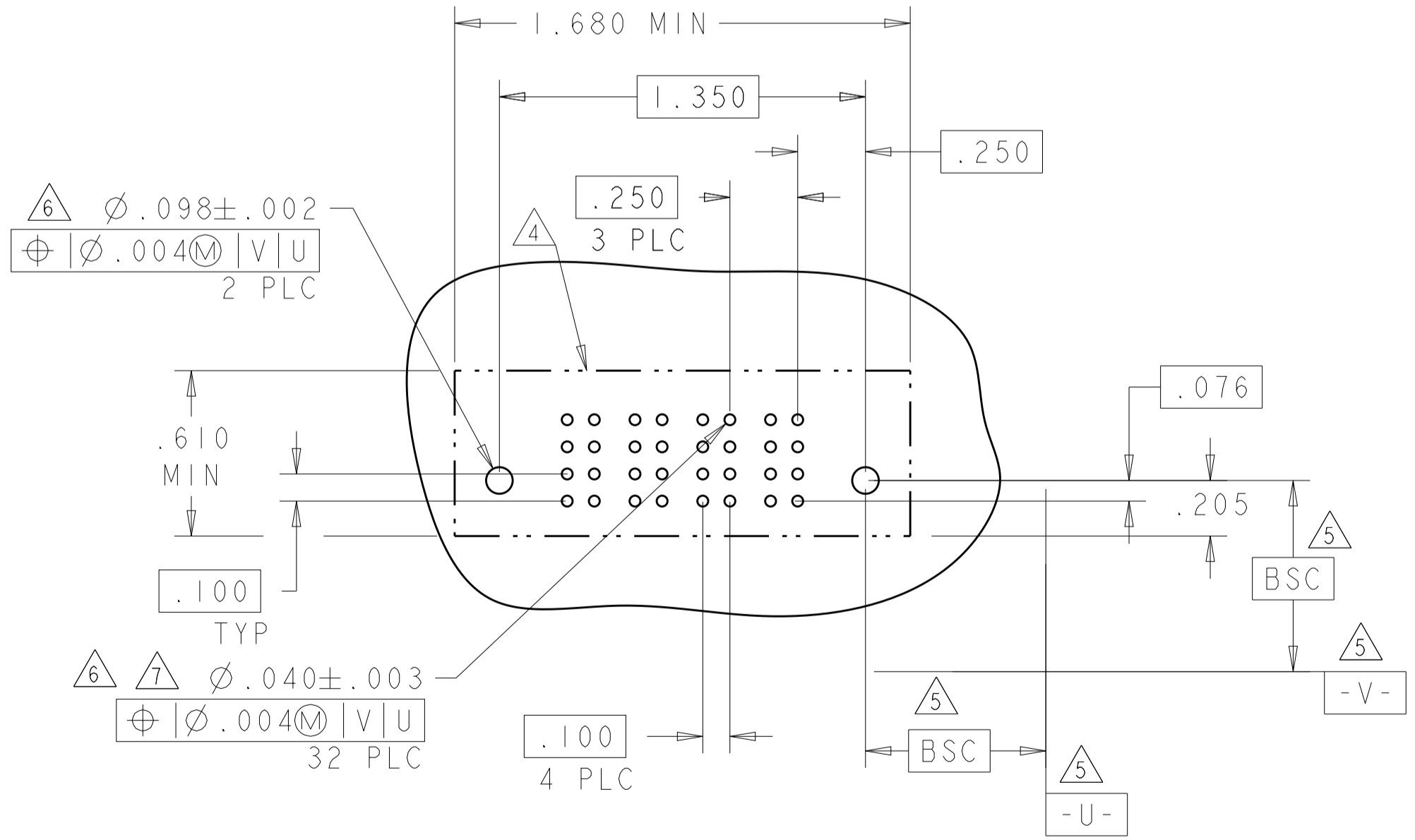
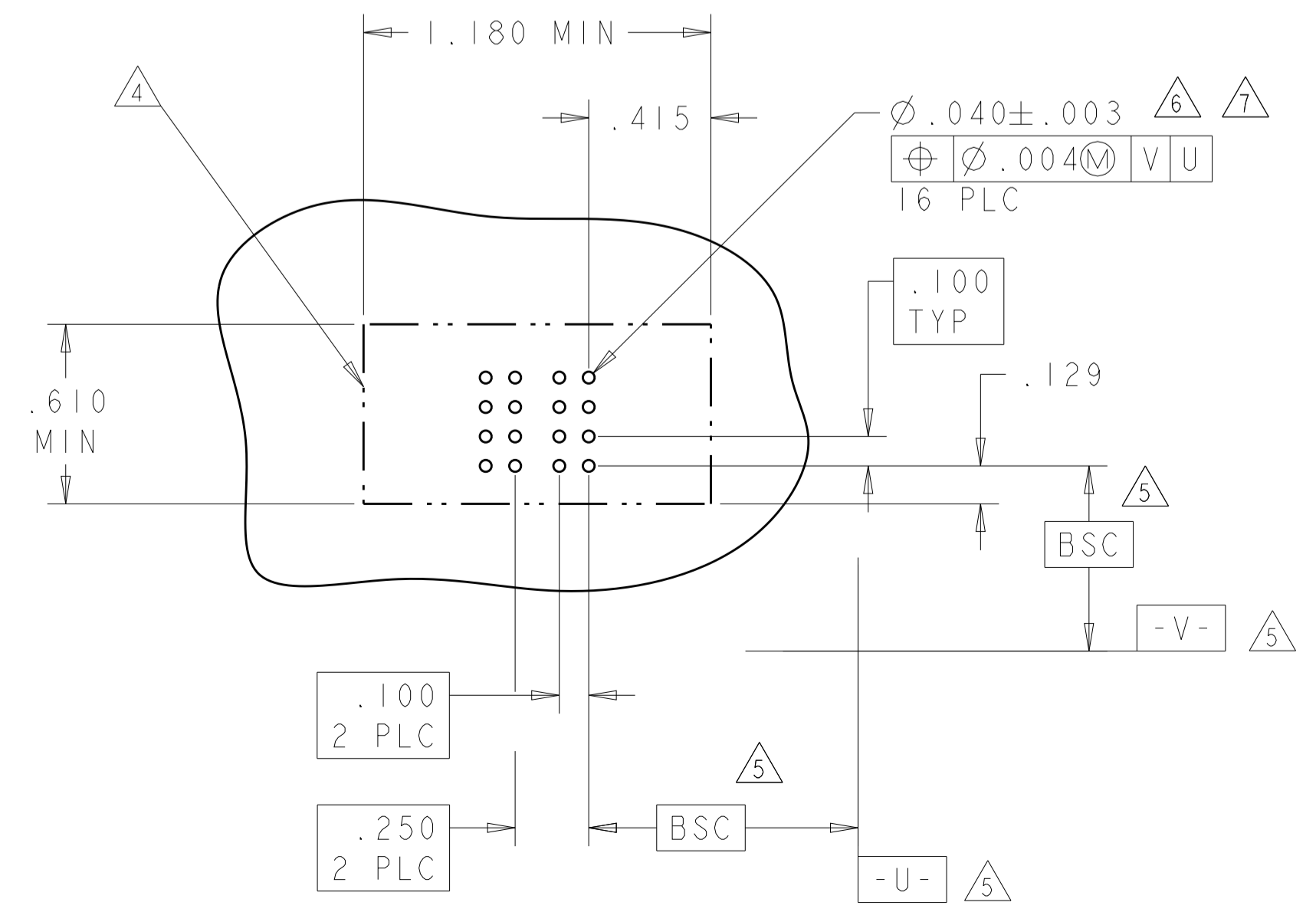
PART NUMBER	ROWS	POWER				
		P4	P3	P2	P1	
6450543-2	D C B A	GP	GP	GP	GP	
4P						

PART NUMBER	ROWS	POWER						
		P7	P6	P5	P4	P3	P2	P1
6450543-3	D C B A	GP	GP	GP	GP	GP	GP	
7P								



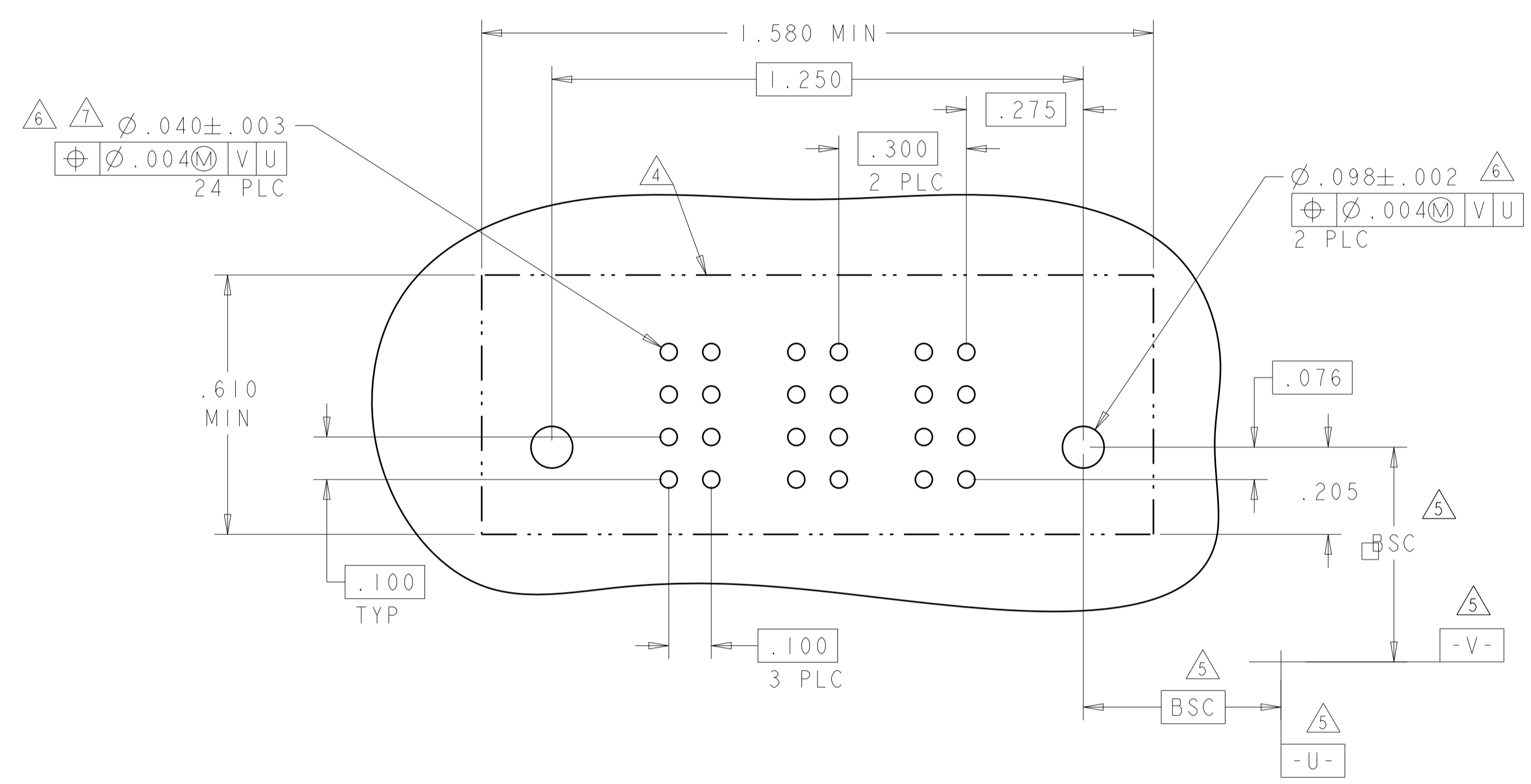
PART NUMBER	ROWS	POWER				
		P4	P3	P2	P1	
6450543-5	D C B A	GP	GP	GP	GP	
4P						

PART NUMBER	ROWS	POWER	
		P2	P1
6450543-4	D C B A	GP	GP
2P			

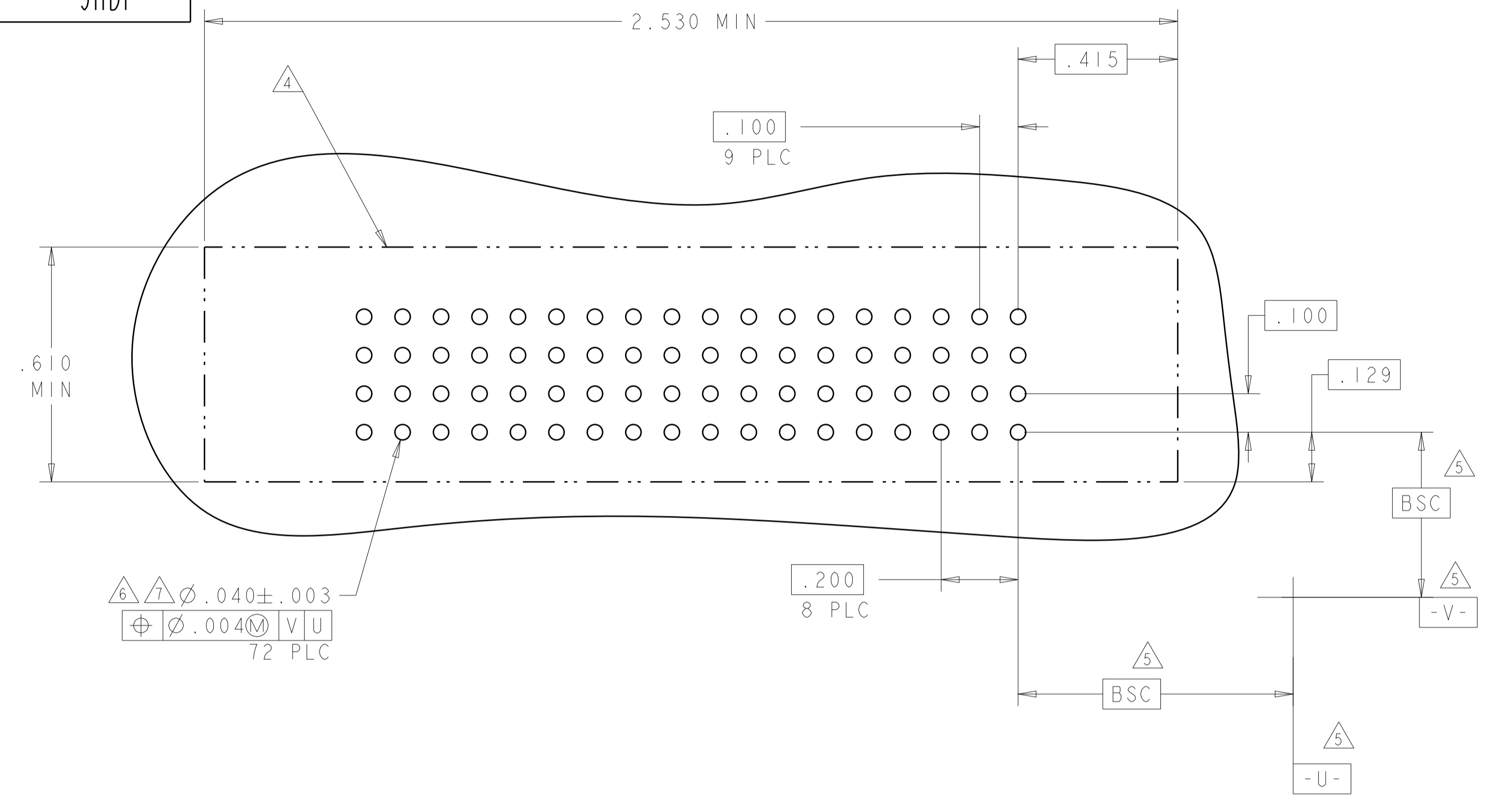


DIMENSIONS: INCHES 		TOLERANCES UNLESS OTHERWISE SPECIFIED: 0 PLC ±. 1 PLC ±.01 2 PLC ±.01 3 PLC ±.005 4 PLC ±.002 ANGLES ±.020		DMN: R. GRZYBOWSKI 17MAY05 CHK: M. PERCHERKE 17MAY05 APVD: M. PERCHERKE PRODUCT SPEC: 108-1973 APPLICATION SPEC: 114-13038 WEIGHT: - CUSTOMER DRAWING		Tyco Electronics Corporation Harrisburg, PA 17105-3608 NAME: VERTICAL RECEPTACLE ASSEMBLY WITH GUIDES MULTI-BEAM XL SIZE: A1 CAGE CODE: 00779 DRAWING NO: 6450543 SCALE: 1:1 SHEET: 2 OF 5 REV: C5	
---------------------------	--	--	--	---	--	--	--

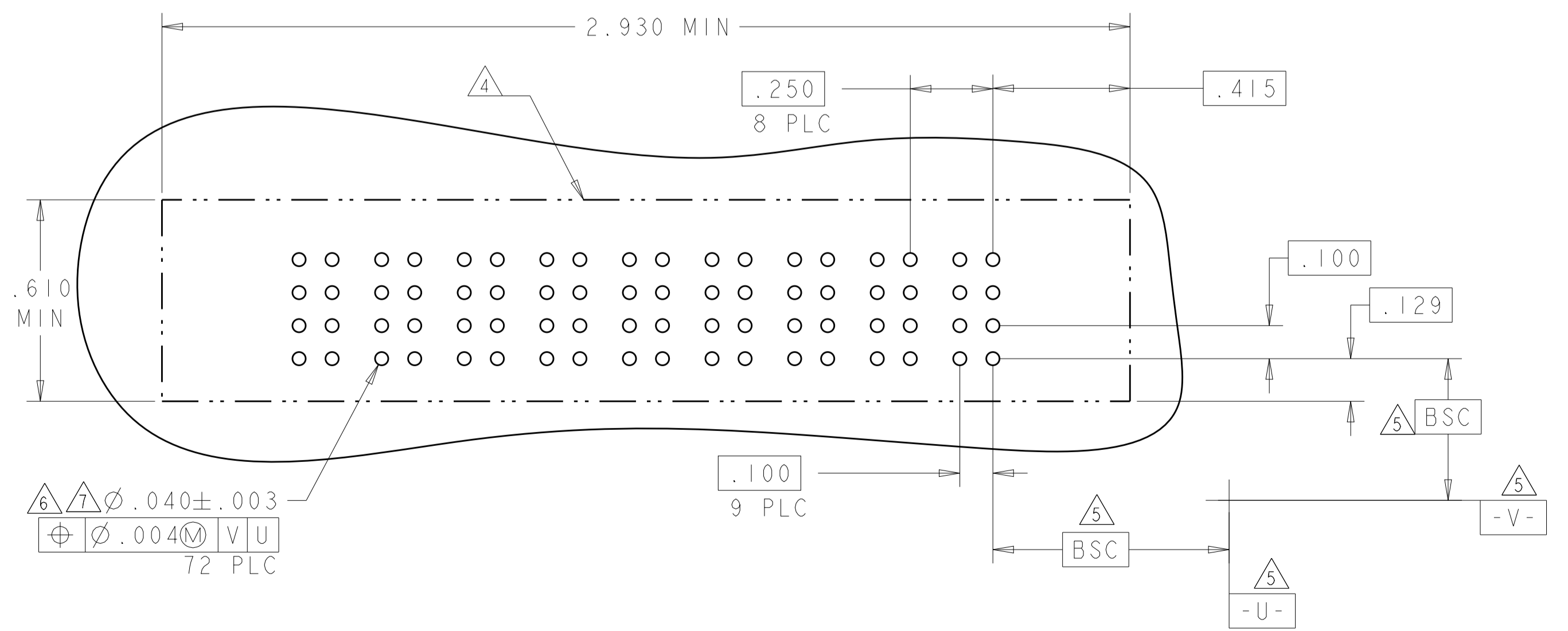
PART NUMBER	ROWS	POWER		
		P3	P2	P1
6450543-6	DCBA	GS	GS	GS
3ACP		HD		HD



PART NUMBER	ROWS	POWER								
		P9	P8	P7	P6	P5	P4	P3	P2	P1
6450543-7	DCBA	HS	HS	HS	HS	HS	HS	HS	HS	HS
9HDP										

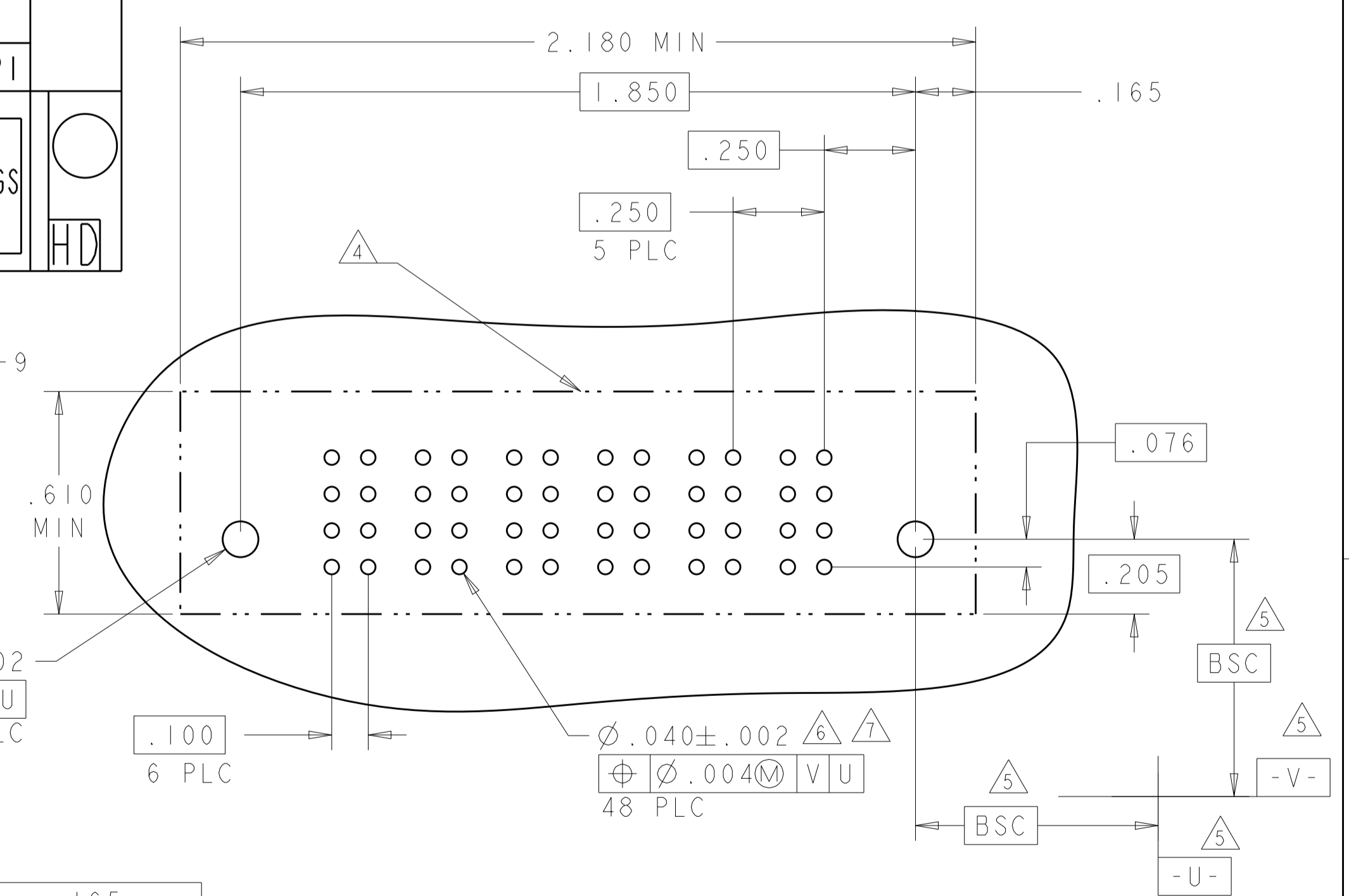


PART NUMBER	ROWS	POWER								
		P9	P8	P7	P6	P5	P4	P3	P2	P1
6450543-8	DCBA	GS	GS	GS	GS	GS	GS	GS	GS	GS
9P										



PART NUMBER	ROWS	POWER					
		P6	P5	P4	P3	P2	P1
6450543-9	DCBA	GS	GS	GS	GS	GS	GS
6P		HD					HD

THE PCB LAYOUT IS FOR P/N 6450543-9
ADN 6450543-10.



CODE	PRESS FIT	TAIL LENGTH	POWER CONTACT
HS	STD	.165	
GS	STD	.135	
GP	MFBL	.135	
VS	STD	.115	
VP	MFBL	.115	

<p>THE DRAWING IS UNPUBLISHED. RELEASED FOR PUBLICATION. COPYRIGHT 20 BY TYCO ELECTRONICS CORPORATION. ALL RIGHTS RESERVED.</p> <p>THIS DRAWING IS UNPUBLISHED. RELEASED FOR PUBLICATION. COPYRIGHT 20 BY TYCO ELECTRONICS CORPORATION. ALL RIGHTS RESERVED.</p>	<p>OWN: R. GRZYBOWSKI 17MAY05</p> <p>CHK: M. PERCHERKE 17MAY05</p> <p>APVD: M. PERCHERKE</p> <p>PRODUCT SPEC</p> <p>108-1973</p> <p>APPLICATION SPEC</p> <p>114-13038</p> <p>WEIGHT</p> <p>CUSTOMER DRAWING</p>	<p>Tyco Electronics Corporation Harrisburg, PA 17105-3608</p> <p>NAME: VERTICAL RECEPTACLE ASSEMBLY WITH GUIDES MULTI-BEAM XL</p> <p>SIZE: A1</p> <p>CAGE CODE: 00779</p> <p>DRAWING NO: 6450543</p> <p>SCALE: 1:1</p> <p>SHEET: 3 OF 5</p> <p>REV: C5</p>
--	---	--

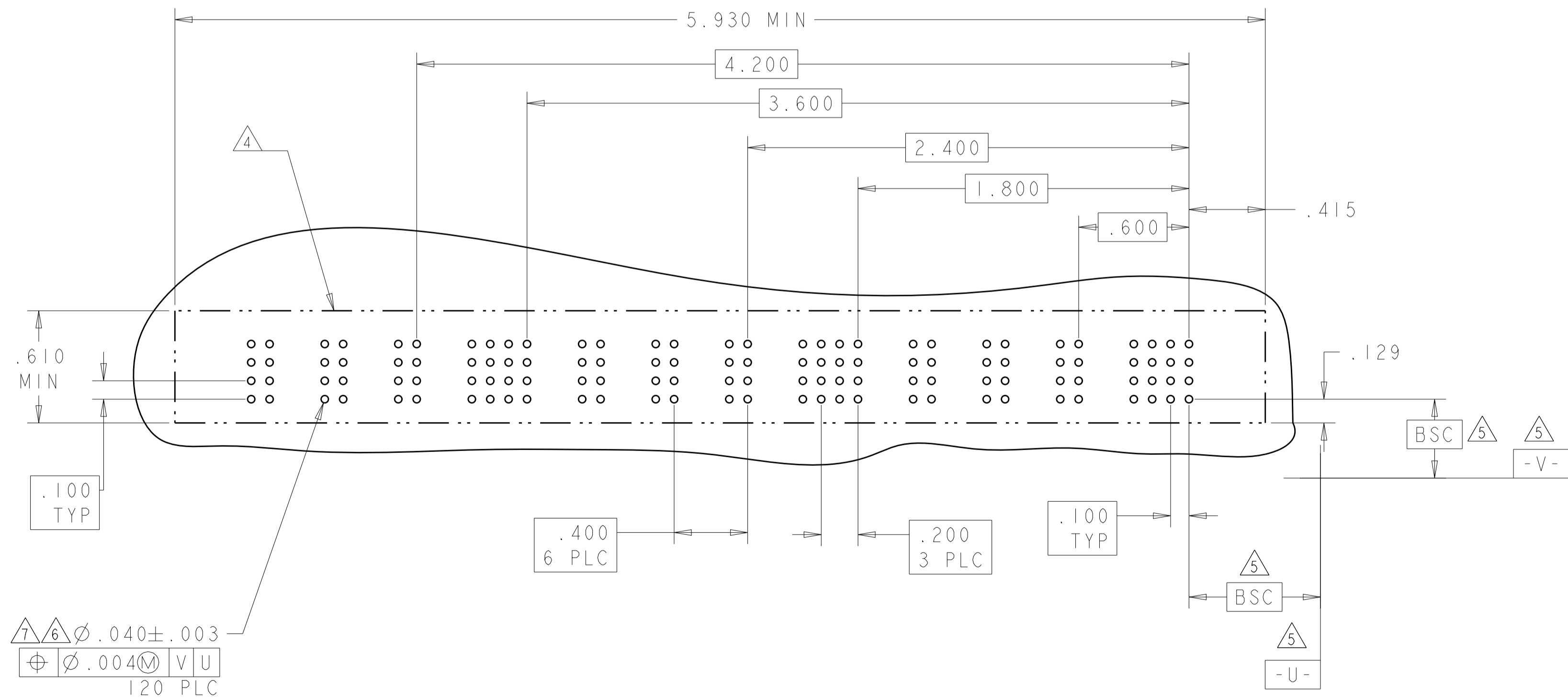
LOC	DIST	REVISIONS			
P	LTN	DESCRIPTION	DATE	DWN	APVD
GP	00	SEE SHEET 1			

PART NUMBER	ROWS	POWER							
		P6	P5	P4	P3	P2	P1		
1-6450543-0	D C B A	○	VS	VS	VS	VS	VS	VS	○
		HD							HD
6P									

PCB LAYOUT IS THE SAME AS PN 6450543-9'S, PLEASE REFER TO SHEET 3.

PART NUMBER	ROWS	POWER																										
		P26	P25	P24	P23	P22	P21	P20	P19	P18	P17	P16	P15	P14	P13	P12	P11	P10	P9	P8	P7	P6	P5	P4	P3	P2	P1	
1-6450543-1	D C B A	○	GP	GS	GP	GS	GP	GS	GP	GS	GP	GS	GP	GS	GP	GS	GP	GS	GP	GS	GP	GS	GP	GS	GP	GS	GP	○
26P																												

NO CONTACTS LOADED

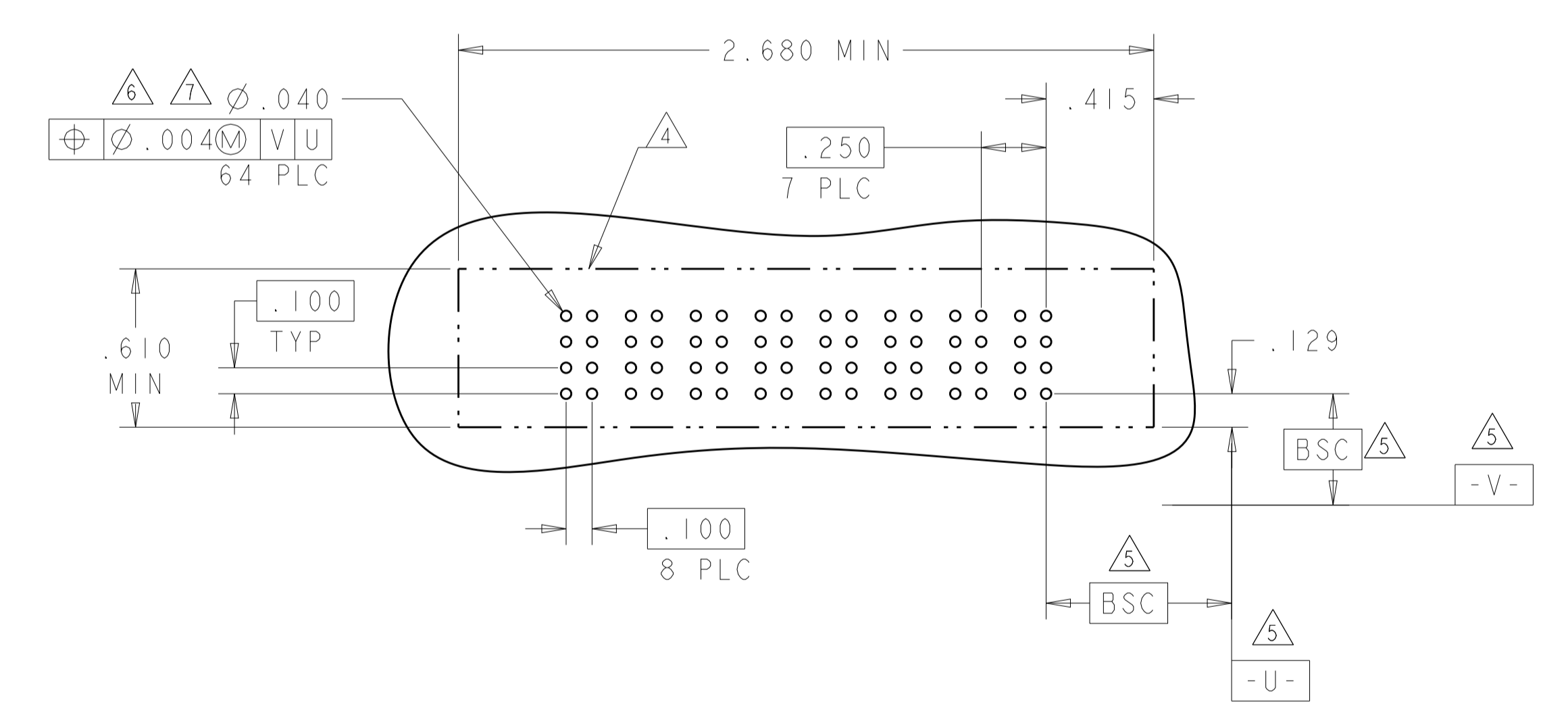
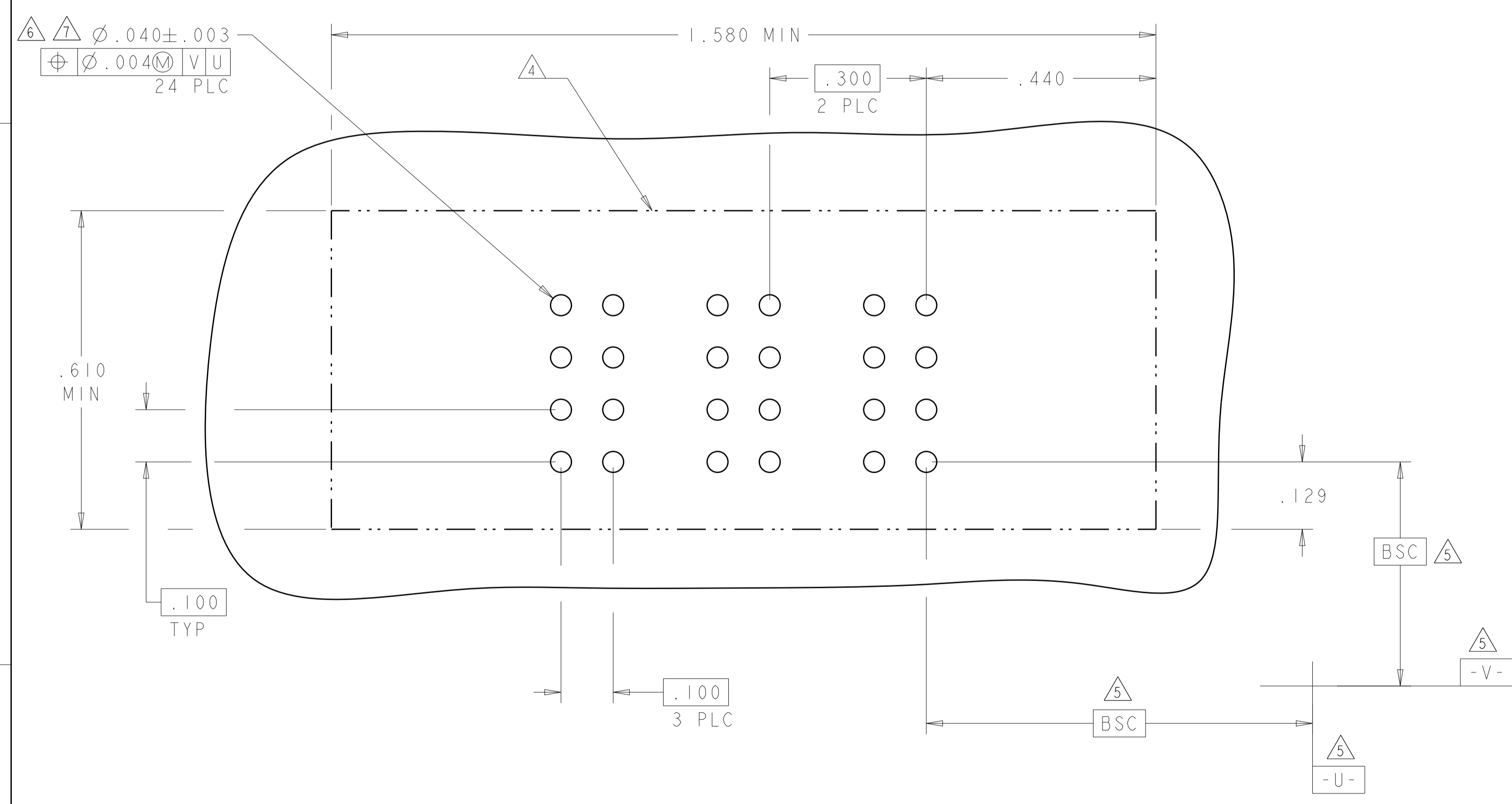


<small>THIS DRAWING IS UNPUBLISHED. RELEASED FOR PUBLICATION BY TYCO ELECTRONICS CORPORATION. ALL RIGHTS RESERVED.</small>		DWN: R. GRZYBOWSKI 17MAY05 CHK: M. PERCHERKE 17MAY05 APVD: M. PERCHERKE	Tyco Electronics Corporation Harrisburg, PA 17105-3608
DIMENSIONS: INCHES 	TOLERANCES UNLESS OTHERWISE SPECIFIED: 0 PLC ±. 1 PLC ±.01 2 PLC ±.01 3 PLC ±.005 4 PLC ±.0020 ANGLES ±.7°	NAME: VERTICAL RECEPTACLE ASSEMBLY WITH GUIDES MULTI-BEAM XL PRODUCT SPEC: 108-1973 APPLICATION SPEC: 114-13038 WEIGHT: -	SIZE: A CAGE CODE: 00779 DRAWING NO: 6450543 RESTRICTED TO: -
MATERIAL: -	FINISH: -	WEIGHT: -	SCALE: 1:1 SHEET 4 OF 5 REV: C5
CUSTOMER DRAWING			

LOC	DIST	REVISIONS			
P	LTN	DESCRIPTION	DATE	DWN	APVD
-	-	SEE SHEET 1	-	-	-

PART NUMBER	ROWS	POWER	POWER		
			P3	P2	P1
1-6450543-2	D C B A	GS GS GS			
3ACP					

PART NUMBER	ROWS	POWER							
		P8	P7	P6	P5	P4	P3	P2	P1
1-6450543-3	D C B A	GS	GS	GS	GS	GS	GS	GS	GS
8P									



<small>THIS DRAWING IS UNPUBLISHED. RELEASED FOR PUBLICATION. IT IS THE POLICY OF TYCO ELECTRONICS CORPORATION TO CONTINUE TO IMPROVE ITS PRODUCTS. THEREFORE, THIS DRAWING IS SUBJECT TO CHANGE WITHOUT NOTICE AND WITHOUT OBLIGATION TO NOTIFY OR ASSIST OTHERS IN THEIR PURCHASING AND ASSEMBLY OPERATIONS. THIS DRAWING IS UNPUBLISHED. RELEASED FOR PUBLICATION. IT IS THE POLICY OF TYCO ELECTRONICS CORPORATION TO CONTINUE TO IMPROVE ITS PRODUCTS. THEREFORE, THIS DRAWING IS SUBJECT TO CHANGE WITHOUT NOTICE AND WITHOUT OBLIGATION TO NOTIFY OR ASSIST OTHERS IN THEIR PURCHASING AND ASSEMBLY OPERATIONS.</small>		DWN: R. GRZYBOWSKI 17MAY05 CHK: M. PERCHERKE 17MAY05 APVD: M. PERCHERKE	Tyco Electronics Corporation Harrisburg, PA 17105-3608
DIMENSIONS: INCHES	TOLERANCES UNLESS OTHERWISE SPECIFIED: 0 PLC ±. 1 PLC ±.01 2 PLC ±.01 3 PLC ±.005 4 PLC ±.0020 ANGLES ±.7°	PRODUCT SPEC: 108-1973 APPLICATION SPEC: 114-13038 WEIGHT: -	NAME: VERTICAL RECEPTACLE ASSEMBLY WITH GUIDES MULTI-BEAM XL SIZE: A CAGE CODE: 00779 DRAWING NO: 6450543 RESTRICTED TO: -
MATERIAL: -	FINISH: -	CUSTOMER DRAWING	SCALE: 1:1 SHEET 5 OF 5 REV: C5