



Chipsmall Limited consists of a professional team with an average of over 10 year of expertise in the distribution of electronic components. Based in Hongkong, we have already established firm and mutual-benefit business relationships with customers from,Europe,America and south Asia,supplying obsolete and hard-to-find components to meet their specific needs.

With the principle of “Quality Parts,Customers Priority,Honest Operation,and Considerate Service”,our business mainly focus on the distribution of electronic components. Line cards we deal with include Microchip,ALPS,ROHM,Xilinx,Pulse,ON,Everlight and Freescale. Main products comprise IC,Modules,Potentiometer,IC Socket,Relay,Connector.Our parts cover such applications as commercial,industrial, and automotives areas.

We are looking forward to setting up business relationship with you and hope to provide you with the best service and solution. Let us make a better world for our industry!



## Contact us

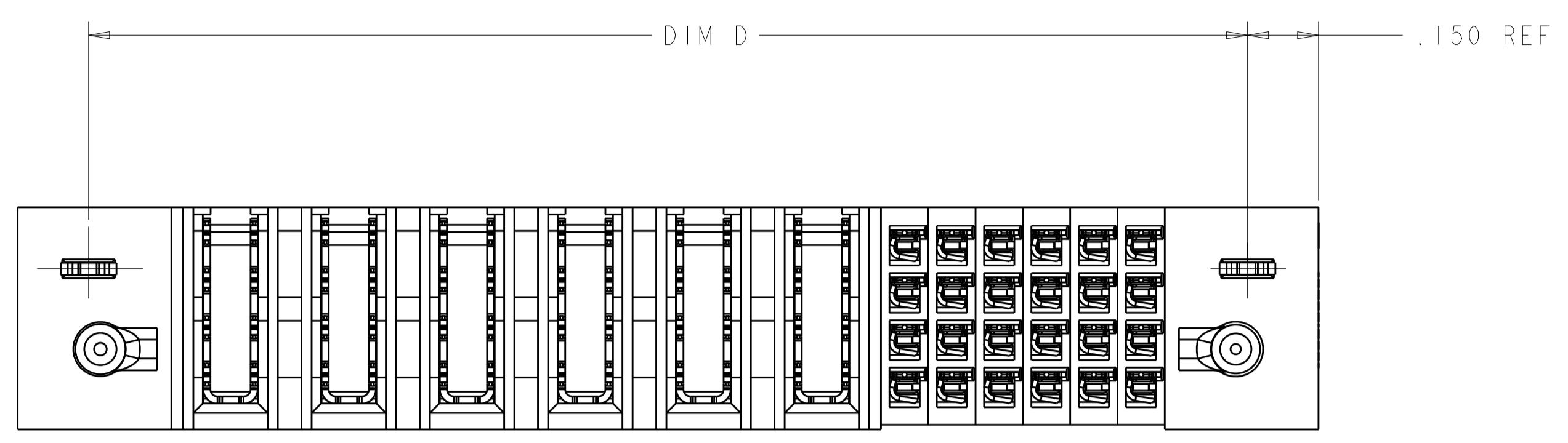
Tel: +86-755-8981 8866 Fax: +86-755-8427 6832

Email & Skype: info@chipsmall.com Web: www.chipsmall.com

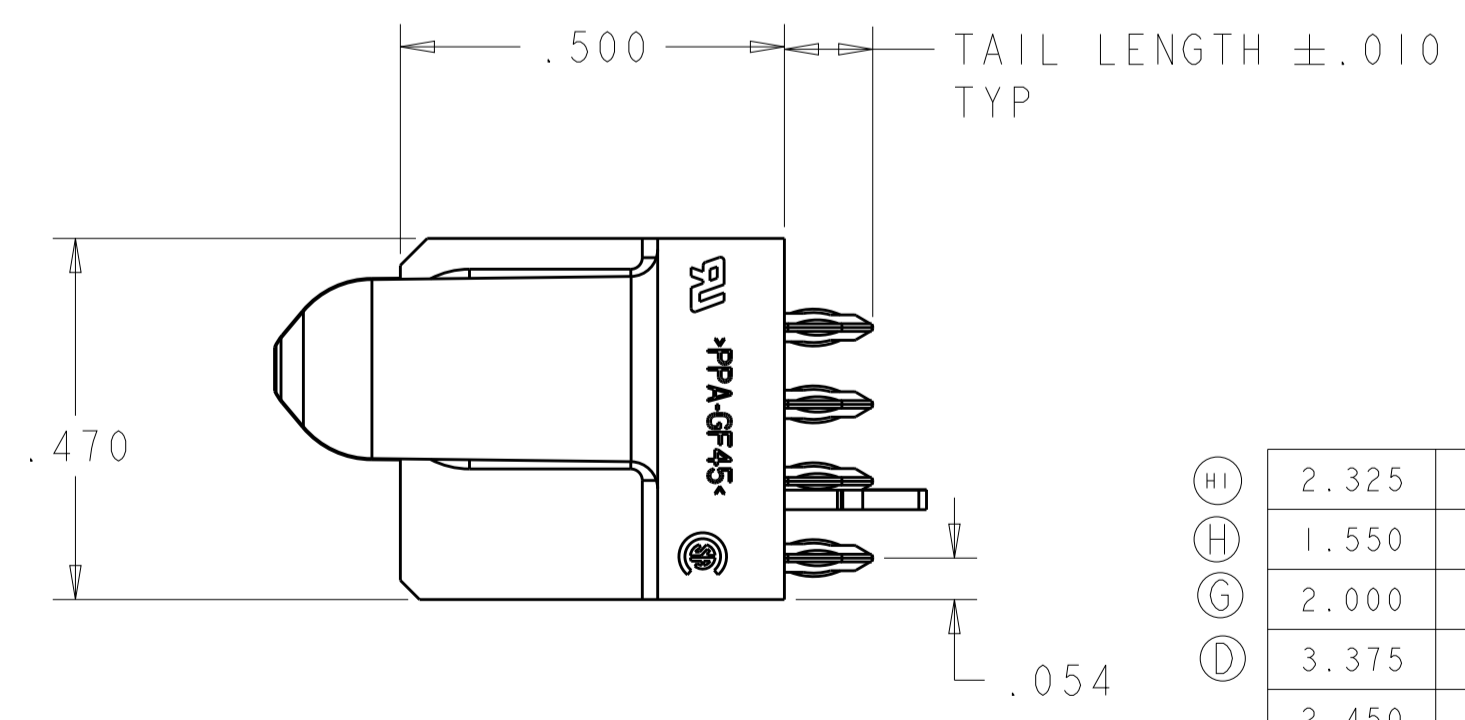
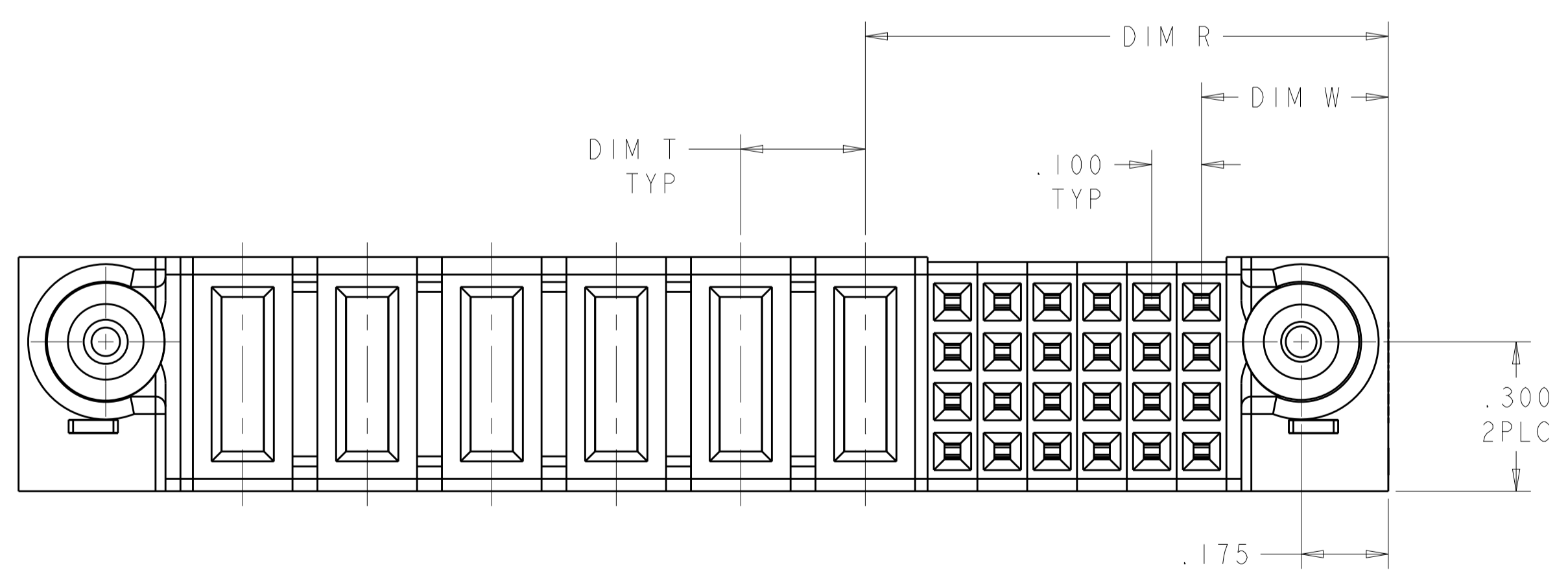
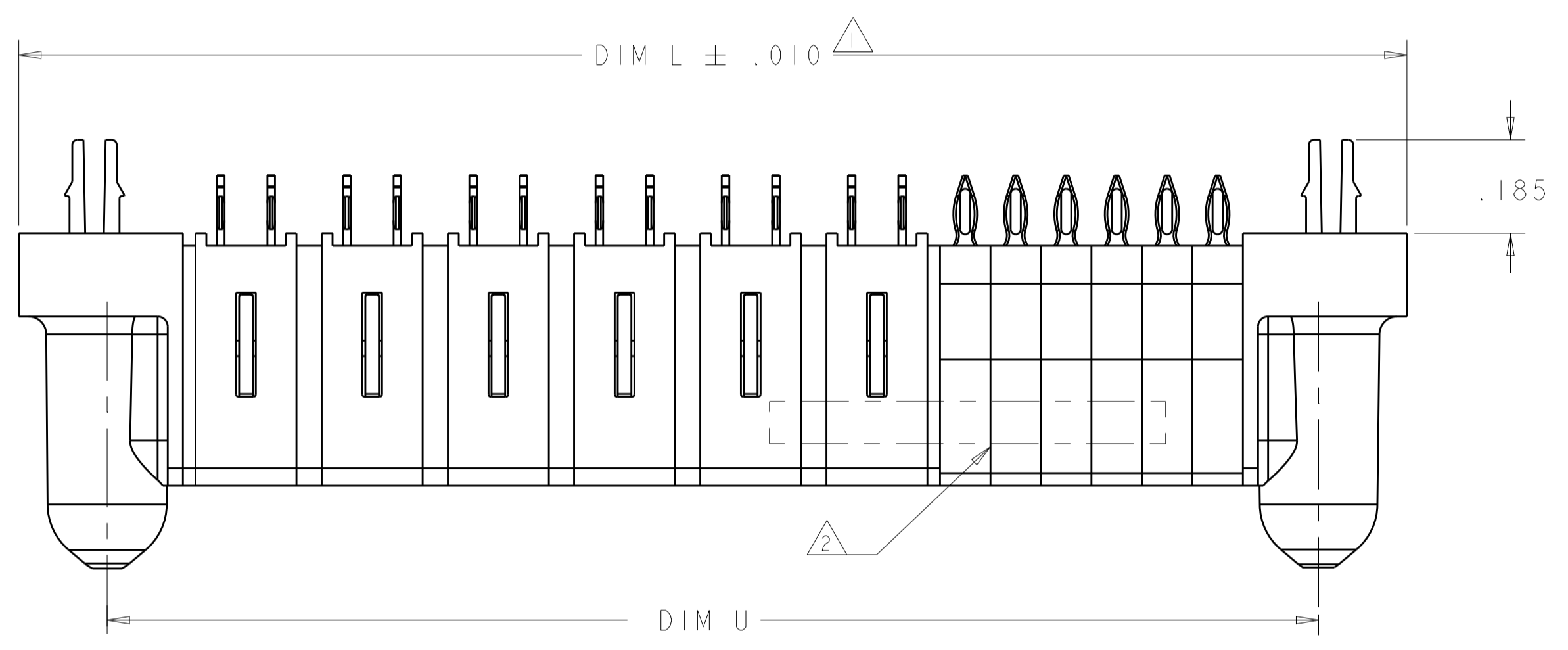
Address: A1208, Overseas Decoration Building, #122 Zhenhua RD., Futian, Shenzhen, China



LOC		DIST		REVISIONS			
P	LTN	DESCRIPTION	DATE	DMN	APVD		
G1		ADDED NEW DASH NUMBER -10.	28DEC2010	IL	SZ		
H		REV PER ECR-11-001293	19JAN2011	IL	SZ		
H1		ADDED THE DASH NUMBER -11	29APR2011	ML	SZ		



- 1 THE MAXIMUM OVERALL LENGTH OF A PART IS 8.00.
- 2 PART NUMBER, AND DATE CODE MARKED IN AREA SHOWN. MARKING ON BOTH SIDES PERMITTED FOR PARTS UNDER 2.00 LONG.
- 3 MATERIAL:  
 HOUSING - GLASS FILLED HIGH TEMP THERMO PLASTIC, UL94 V-0, BLACK  
 SIGNAL CONTACT - HIGH CONDUCTIVITY COPPER ALLOY  
 POWER CONTACT - HIGH CONDUCTIVITY COPPER ALLOY
- 4 CONTACT PLATING: NOBLE METAL PLATING ON CONTACT FUNCTIONAL AREA OF POWER AND SIGNAL CONTACTS
- 5 MECHANICAL CONNECTOR KEEP OUT ZONE.
- 6 DATUM AND BASIC DIMENSIONS ESTABLISHED BY CUSTOMER.
- 7 PCB - ALL HOLE DIAMETERS ARE FINISHED HOLE SIZES.
- 8 PCB - .0453±.0010 DRILLED HOLES PLATED WITH .0003 MIN Sn OVER .001 TO .003 Cu PLATING TO ACHIEVE A .040 HOLE.



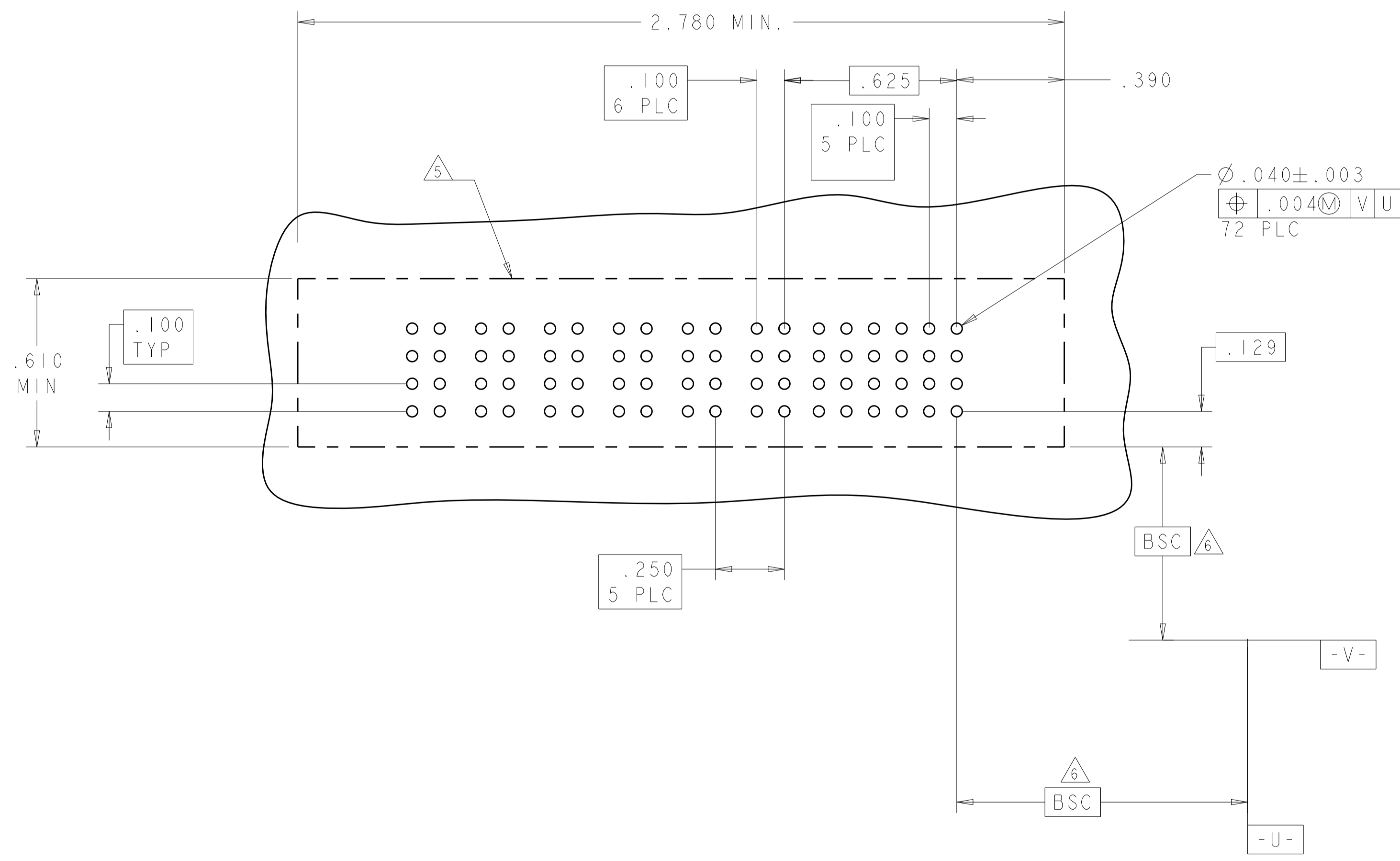
2.325	2.275	.250	.925	.425	2.625	16S + 6P	1-6450551-1
1.550	1.500	.200	.825	.375	1.850	16S + 4P	1-6450551-0
2.000	1.950	.250	.850	.375	2.300	16S + 5P	6450551-9
3.375	3.325	.200	1.050	.375	3.675	24S + 12HDP	6450551-8
2.450	2.400	.250	1.050	.375	2.750	24S + 6P	6450551-7
3.000	2.950	.200	1.050	.375	3.300	24S + 10HDP	6450551-6
4.650	4.600	.250	1.250	.375	4.950	32S + 14P	6450551-5
3.375	3.325	.200	1.050	.375	3.675	24S + 12HDP	6450551-4
2.450	2.400	.250	1.050	.375	2.750	24S + 6P	6450551-1
D	U	T	R	W	L	DESCRIPTION	PART NUMBER

DIMENSIONS: INCHES 		TOLERANCES UNLESS OTHERWISE SPECIFIED: 0 PLC ±.1 1 PLC ±.05 2 PLC ±.02 3 PLC ±.005 4 PLC ±.0005 ANGLES ±.1		DIMENSIONS: INCHES 		TOLERANCES UNLESS OTHERWISE SPECIFIED: 0 PLC ±.1 1 PLC ±.05 2 PLC ±.02 3 PLC ±.005 4 PLC ±.0005 ANGLES ±.1	
MATERIAL:  3		FINISH:  4		DIMENSIONS: INCHES 		TOLERANCES UNLESS OTHERWISE SPECIFIED: 0 PLC ±.1 1 PLC ±.05 2 PLC ±.02 3 PLC ±.005 4 PLC ±.0005 ANGLES ±.1	

DMN: LESSON, L L CHK: SUNNY, ZHAO APVD: STEVEN, YAO PRODUCT SPEC: 108-1973 APPLICATION SPEC: 114-13038 WEIGHT: - CUSTOMER DRAWING	DATE: 02AUG2007 NAME: STEVEN, YAO SIZE: A1 CAGE CODE: 00779 DRAWING NO: C=6450551 SCALE: 2:1 SHEET: 1 OF 8 REV: H2	Tyco Electronics Corporation Shanghai, P.R. China, 200233	VERTICAL RECEPTACLE ASSEMBLY WITH GUIDES, PRESS-FIT, MULTI-BEAM XL
---	---	--	--

LOC		DIST		REVISIONS			
		P	LTN	DESCRIPTION	DATE	DMN	APVD
-	-	-	-	SEE SHEET 1	-	-	-

PART NUMBER	ROWS	POWER						SIGNAL					
		P6	P5	P4	P3	P2	P1	6	5	4	3	2	1
6450551-1	D C B A	GS	GS	GS	GP	GP	GP	AP	AP	AP	AP	AP	AP
		GS	GS	GS	GP	GP	GP	AP	AP	AP	AP	AP	
		GS	GS	GS	GP	GP	GP	AP	AP	AP	AP	AP	
		GS	GS	GS	GP	GP	GP	AP	AP	AP	AP	AP	
24S + 6P													

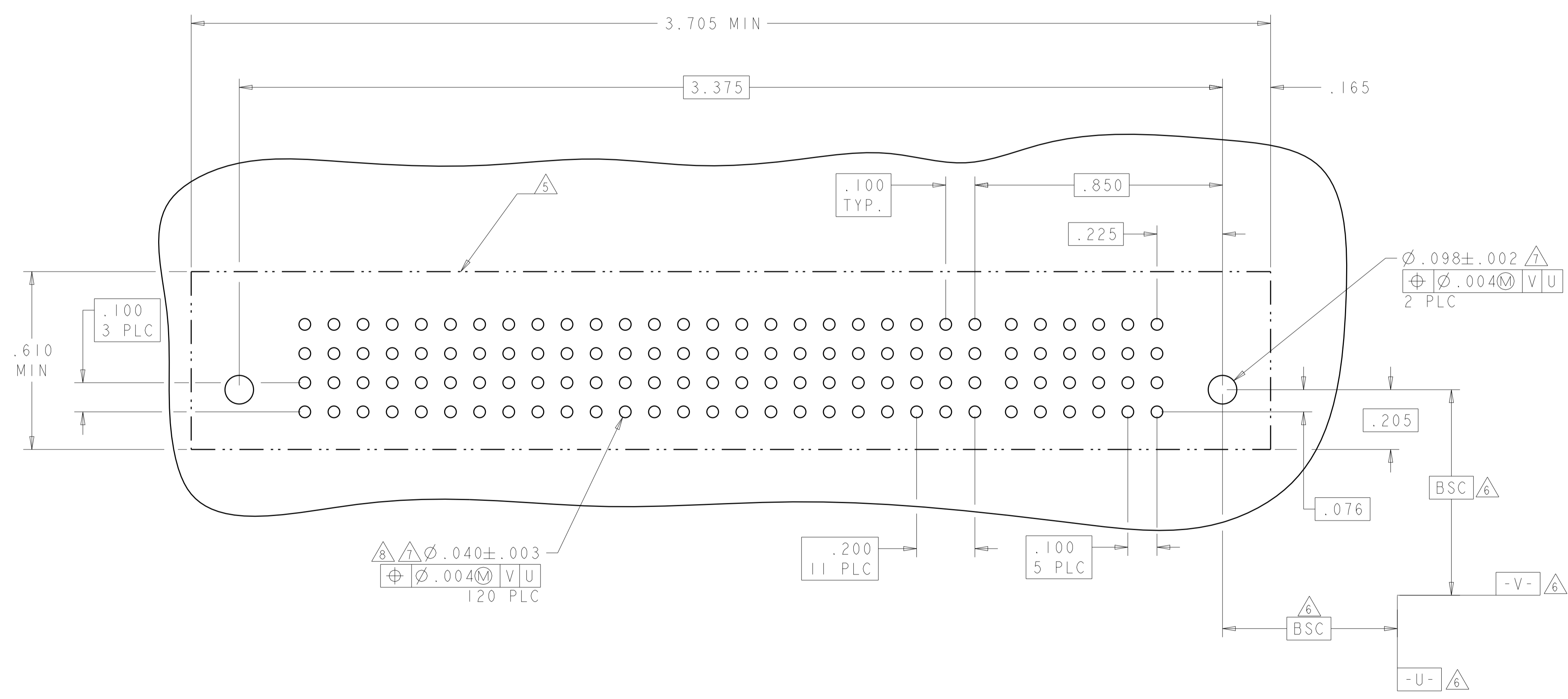


SIGNAL CONTACT, .135 TAIL LENGTH	AP
POWER CONTACT, STD .135 TAIL LENGTH	GS
POWER CONTACT, MFBL .135 TAIL LENGTH	GP
DESCRIPTION	CODE

<small>THIS DRAWING IS UNPUBLISHED. RELEASED FOR PUBLICATION. IT IS THE PROPERTY OF TYCO ELECTRONICS CORPORATION. IT IS SUBJECT TO CHANGE AND WITHOUT WARRANTY OF MERCHANTABILITY. SHOULD BE CONTACTED FOR THE LATEST REVISION.</small>		DWN: 02AUG2007 CHK: LESSON, L L SUNNY, ZHAO	Tyco Electronics Corporation Shanghai, P.R. China, 200233
DIMENSIONS: INCHES TOLERANCES UNLESS OTHERWISE SPECIFIED: 0 PLC ±.1 1 PLC ±0.1 2 PLC ±0.02 3 PLC ±0.005 4 PLC ±0.0005 ANGLES ±.1		NAME: STEVEN YAO PRODUCT SPEC: 108-1973 APPLICATION SPEC: 114-13038 WEIGHT: -	SIZE: A CAGE CODE: 00779 DRAWING NO: 6450551 CUSTOMER DRAWING
MATERIAL: - FINISH: -		SCALE: 2:1 SHEET: 2 OF 8 REV: H2	RESTRICTED TO: -

LOC		DIST		REVISIONS			
		P	LTN	DESCRIPTION	DATE	DMN	APVD
-	-	-	-	SEE SHEET 1	-	-	-

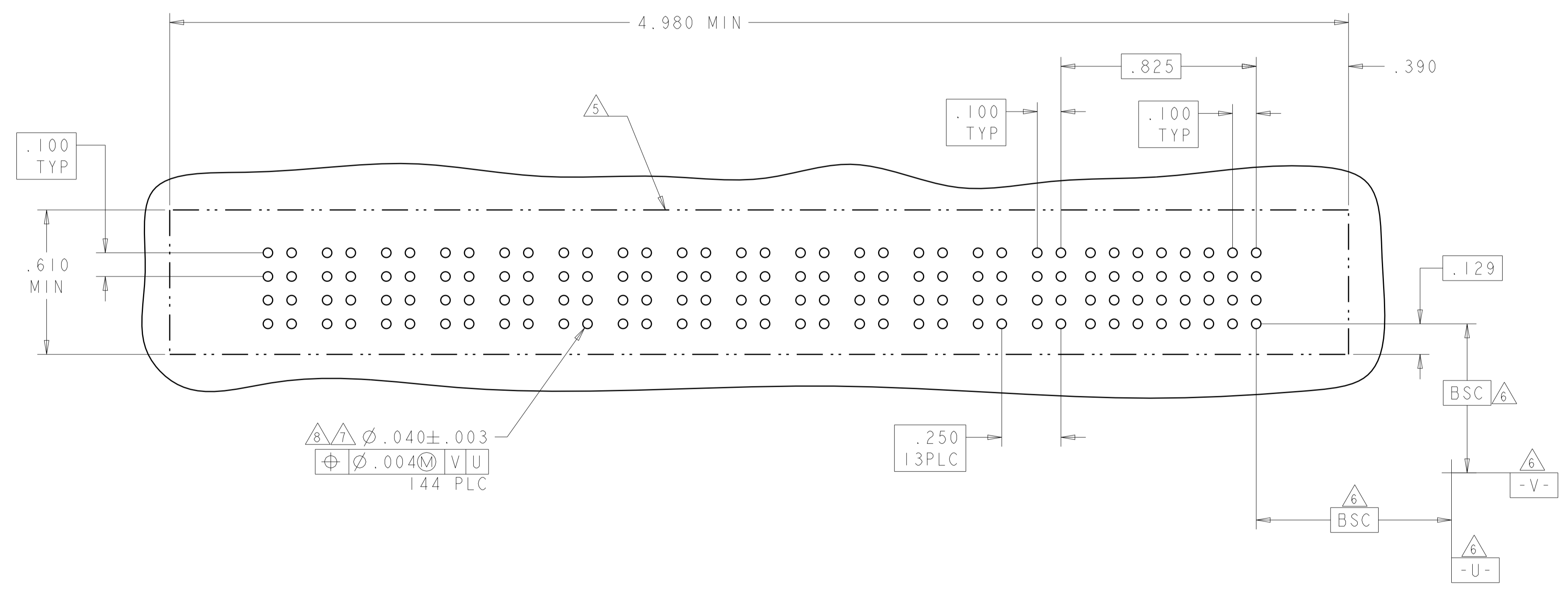
PART NUMBER	ROWS	POWER												SIGNAL							
		PI2	PI1	PI0	P9	P8	P7	P6	P5	P4	P3	P2	P1	6	5	4	3	2	1		
6450551-4	D C B A													AP	AP	AP	AP	AP	AP		
														AP	AP	AP	AP	AP	AP		
															AP	AP	AP	AP	AP	AP	
															AP	AP	AP	AP	AP	AP	
24S + 12HDP																					



<small>THIS DRAWING IS UNPUBLISHED. RELEASED FOR PUBLICATION. IT IS THE PROPERTY OF TYCO ELECTRONICS CORPORATION. IT IS TO BE USED ONLY FOR THE PURPOSES AND IN THE QUANTITIES SPECIFIED IN THE ORDER. IT IS TO BE RETURNED TO TYCO ELECTRONICS CORPORATION WHEN NO LONGER REQUIRED.</small>		DMN: LESSON, L.L. 02AUG2007 CHK: SUNNY, ZHAO 02AUG2007 APVD: STEVEN, YAO	Tyco Electronics Corporation Shanghai, P.R. China, 200233
DIMENSIONS: INCHES	TOLERANCES UNLESS OTHERWISE SPECIFIED: 0 PLC ± 1 PLC ±0.1 2 PLC ±0.02 3 PLC ±0.005 4 PLC ±0.0005 ANGLES ±	NAME: STEVEN, YAO PRODUCT SPEC: 108-1973 APPLICATION SPEC: 114-13038 WEIGHT:	SIZE: A100779 CAGE CODE: C=6450551 CUSTOMER DRAWING
MATERIAL: FINISH:		SCALE: 2:1 SHEET: 3 OF 8 REV: H2	RESTRICTED TO:

LOC	DIST	REV	DATE	BY	APPD
-	-	1	-	-	-
DESCRIPTION			DATE	BY	APPD
SEE SHEET 1			-	-	-

PART NUMBER	ROWS	POWER														SIGNAL											
		P14	P13	P12	P11	P10	P9	P8	P7	P6	P5	P4	P3	P2	P1	8	7	6	5	4	3	2	1				
6450551-5	D C B A	GS	GP	GS	GP	GS	GP	GS	GP	GS	GP	GS	GP	GS	GP	AP	AP	AP	AP	AP	AP	AP	AP				
		GS	GP	GS	GP	GS	GP	GS	GP	GS	GP	GS	GP	GS	GP	AP	AP	AP	AP	AP	AP	AP	AP				
		GS	GP	GS	GP	GS	GP	GS	GP	GS	GP	GS	GP	GS	GP	AP	AP	AP	AP	AP	AP	AP	AP				
		GS	GP	GS	GP	GS	GP	GS	GP	GS	GP	GS	GP	GS	GP	AP	AP	AP	AP	AP	AP	AP	AP				
32S + 14P																											

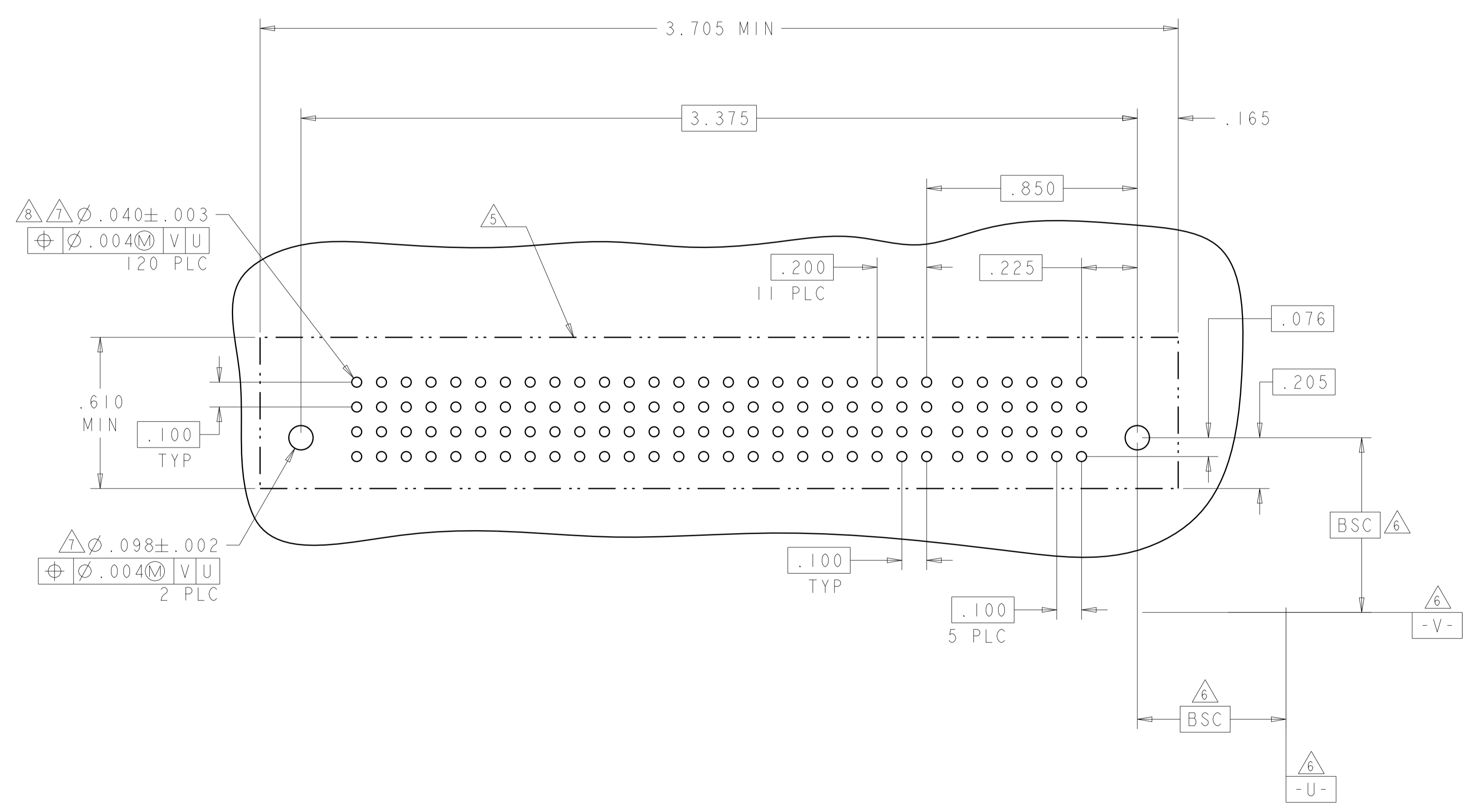


<small>THIS DRAWING IS UNPUBLISHED. RELEASED FOR PUBLICATION 20. COPYRIGHT 20 BY TYCO ELECTRONICS CORPORATION. ALL RIGHTS RESERVED.</small>		DWN: LESSON.LL 02AUG2007 CHK: SUNNY.ZHAO 02AUG2007 APVD: STEVEN.YAO	Tyco Electronics Corporation Shanghai, P.R.China. 200233
DIMENSIONS: INCHES TOLERANCES UNLESS OTHERWISE SPECIFIED: 0 PLC ±.1 1 PLC ±0.1 2 PLC ±0.02 3 PLC ±0.005 4 PLC ±0.0005 ANGLES ±.1		NAME: STEVEN.YAO PRODUCT SPEC: 108-1973 APPLICATION SPEC: 114-13038 WEIGHT: -	NAME: VERTICAL RECEPTACLE ASSEMBLY WITH GUIDES, PRESS-FIT, MULTI-BEAM XL SIZE: A1 CAGE CODE: 00779 DRAWING NO: 6450551 RESTRICTED TO: -
MATERIAL: - FINISH: -		CUSTOMER DRAWING	SCALE: 2:1 SHEET: 4 OF 8 REV: H2



LOC		DIST		REVISIONS			
		P	LTN	DESCRIPTION	DATE	DMN	APVD
-	-	-	-	SEE SHEET 1	-	-	-

PART NUMBER	ROWS	POWER											SIGNAL							
		P12	P11	P10	P9	P8	P7	P6	P5	P4	P3	P2	P1	6	5	4	3	2	1	
6450551-8	D C B A	GS	GS	GP	GP	GP	GP	GP	GP	GS	GS	GS	GS	AP	AP	AP	AP	AP	AP	
		GS	GS	GP	GP	GP	GP	GP	GP	GS	GS	GS	GS	AP	AP	AP	AP	AP	AP	
		GS	GS	GP	GP	GP	GP	GP	GP	GS	GS	GS	GS	AP	AP	AP	AP	AP	AP	
		GS	GS	GP	GP	GP	GP	GP	GP	GS	GS	GS	GS	AP	AP	AP	AP	AP	AP	
24S + 12HDP																				



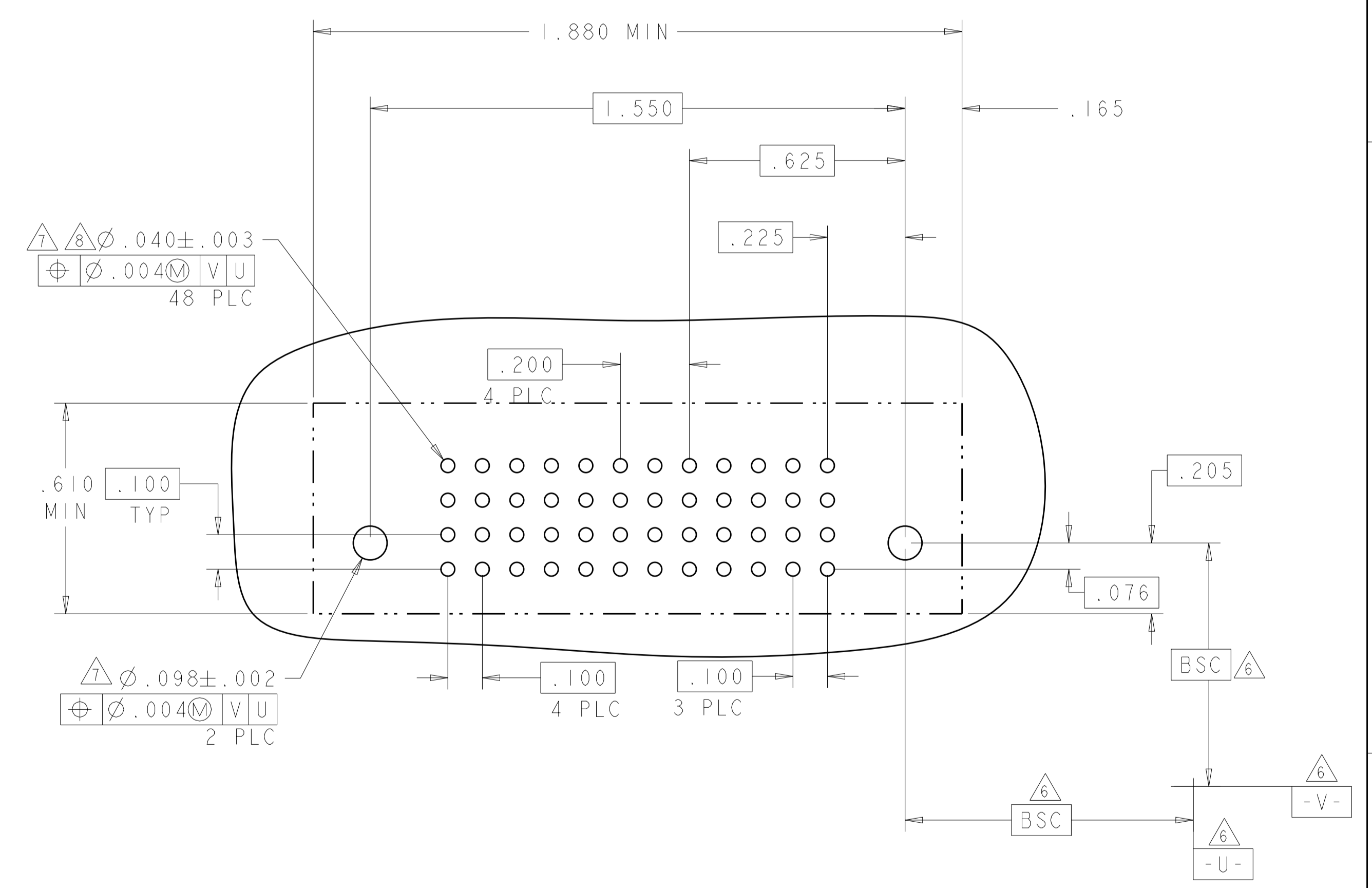
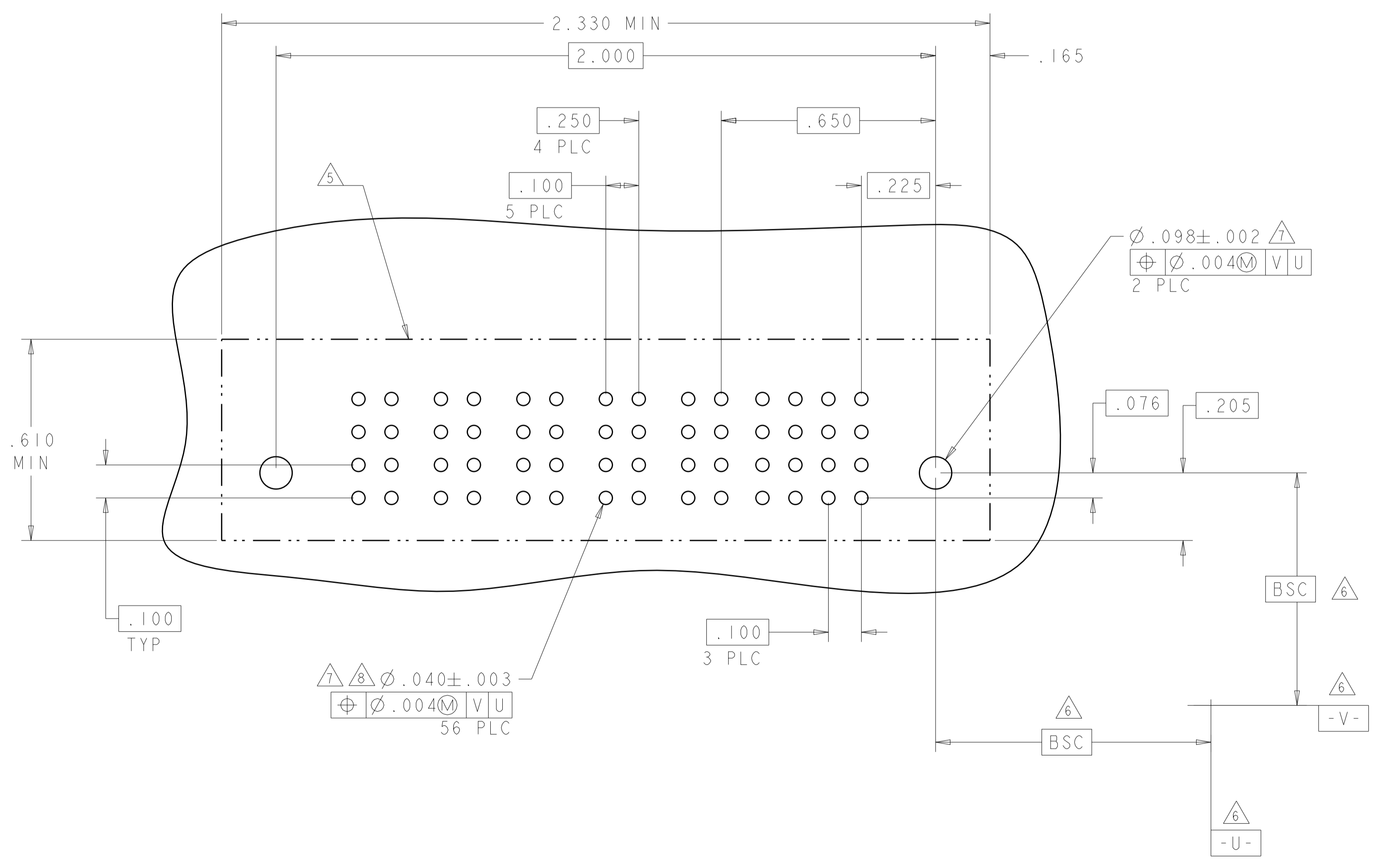
<small>THIS DRAWING IS UNPUBLISHED. RELEASED FOR PUBLICATION. IT IS THE PROPERTY OF TYCO ELECTRONICS CORPORATION AND IS TO BE CONTROLLED AND DISTRIBUTED ONLY TO THOSE PERSONS WHOSE NAMES ARE ON THE CONTROL LIST. IT IS TO BE KEPT IN CONFIDENTIALITY AND NOT TO BE REPRODUCED OR TRANSMITTED IN ANY FORM OR BY ANY MEANS, ELECTRONIC OR MECHANICAL, INCLUDING PHOTOCOPYING, RECORDING, OR BY ANY INFORMATION STORAGE AND RETRIEVAL SYSTEM, WITHOUT THE WRITTEN PERMISSION OF TYCO ELECTRONICS CORPORATION.</small>		DWN: LESSON, L.L. 02AUG2007 CHK: SUNNY, ZHAO 02AUG2007 APVD: STEVEN YAO	Tyco Electronics Corporation Shanghai, P.R. China, 200233
DIMENSIONS: INCHES TOLERANCES UNLESS OTHERWISE SPECIFIED: 0 PLC ±.1 1 PLC ±0.1 2 PLC ±0.02 3 PLC ±0.005 4 PLC ±0.0005 ANGLES ±.1 FINISH		NAME: STEVEN YAO PRODUCT SPEC: 108-1973 APPLICATION SPEC: 114-13038 WEIGHT:	VERTICAL RECEPTACLE ASSEMBLY WITH GUIDES, PRESS-FIT, MULTI-BEAM XL SIZE: A CAGE CODE: 00779 DRAWING NO: C=6450551 RESTRICTED TO:
MATERIAL:		CUSTOMER DRAWING	SCALE: 2:1 SHEET: 6 OF 8 REV: H2

LOC	DIST	REV	DATE	BY	APPV
-	-	1	-	-	-
REVISIONS			DESCRIPTION	DATE	BY
-	-	-	SEE SHEET 1	-	-

ASSY PART NUMBER	ROWS	POWER					SIGNAL			
		P5	P4	P3	P2	PI	4	3	2	1
6450551-9	D	GP	GS	GS	GS	GP	AP	AP	AP	AP
	C						AP	AP	AP	AP
	B						AP	AP	AP	AP
	A						AP	AP	AP	AP
16S + 5P		HD								HD

⑥

PART NUMBER	ROWS	POWER				SIGNAL			
		P4	P3	P2	PI	4	3	2	1
1-6450551-0	D	GP	GP	GS	GS	AP	AP	AP	AP
	C					AP	AP	AP	AP
	B					AP	AP	AP	AP
	A					AP	AP	AP	AP
16S + 4P		HD							HD



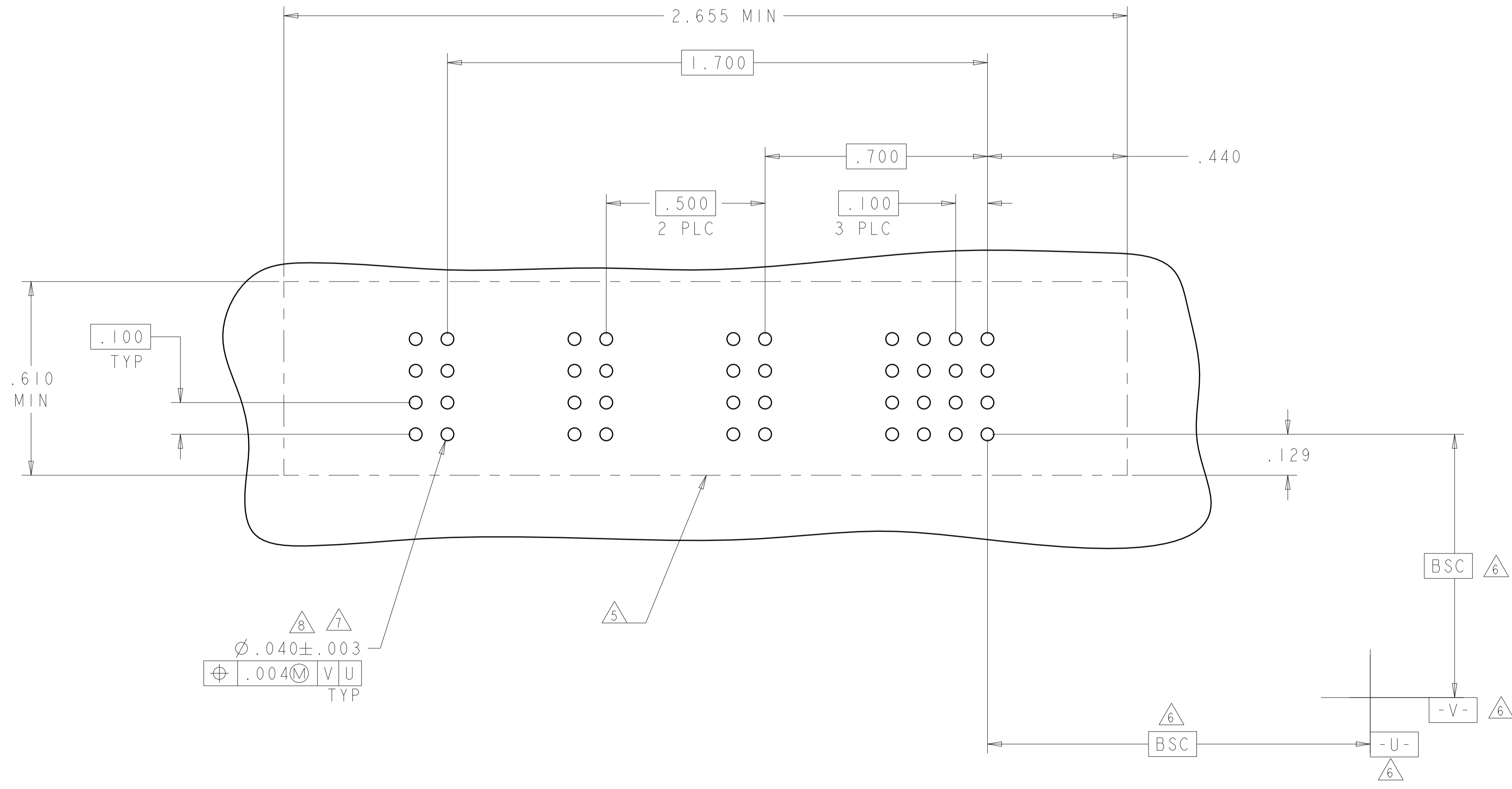
<small>THIS DRAWING IS UNPUBLISHED. RELEASED FOR PUBLICATION. IT IS THE PROPERTY OF TYCO ELECTRONICS CORPORATION. IT IS TO BE USED FOR THE PURPOSES AND IN THE MANNER SPECIFIED BY THE CUSTOMER. IT IS TO BE RETURNED TO TYCO ELECTRONICS CORPORATION UPON THE COMPLETION OF THE PROJECT OR AS OTHERWISE SPECIFIED.</small>		DWN: LESSON, L.L. 02AUG2007 CHK: SUNNY, ZHAO 02AUG2007 APV: STEVEN, YAO	Tyco Electronics Corporation Shanghai, P.R. China, 200233
DIMENSIONS: INCHES:	TOLERANCES UNLESS OTHERWISE SPECIFIED: 0 PLC $\pm .1$ 1 PLC $\pm 0.02$ 2 PLC $\pm 0.05$ 3 PLC $\pm 0.005$ 4 PLC $\pm 0.005$ ANGLES $\pm .005$ FINISH:	NAME: STEVEN, YAO PRODUCT SPEC: 108-1973 APPLICATION SPEC: 114-13038 WEIGHT:	SIZE: CAGE CODE DRAWING NO: A1100779 CUSTOMER DRAWING: C=6450551 SCALE: 2:1 SHEET 7 OF 8 REV: H2



LOC		DIST		REVISIONS			
P	LTN	DESCRIPTION	DATE	OWN	APVD		
-	-	SEE SHEET 1	-	-	-		

PART NUMBER	ROWS	POWER						SIGNAL			
		P6	P5	P4	P3	P2	P1	4	3	2	1
1-6450551-1	D C B A	GS	GS	GP	GP	GP	AP	AP	AP	AP	
							AP	AP	AP	AP	
							AP	AP	AP	AP	
							AP	AP	AP	AP	
16S + 6P											

NO CONTACTS LOADED



<small>THIS DRAWING IS UNPUBLISHED. RELEASED FOR PUBLICATION. IT IS THE PROPERTY OF TYCO ELECTRONICS CORPORATION AND IS TO BE USED FOR THE PURPOSES AND IN THE MANNER SPECIFIED HEREIN. IT IS THE USER'S RESPONSIBILITY TO OBTAIN THE LATEST REVISION.</small>		DWN: LESSON, L L 02AUG2007 CHK: SUNNY, ZHAO 02AUG2007 APVD: STEVEN, YAO	Tyco Electronics Corporation Shanghai, P.R. China, 200233
DIMENSIONS: INCHES 		TOLERANCES UNLESS OTHERWISE SPECIFIED: 0 PLC ±.1 1 PLC ±0.1 2 PLC ±0.02 3 PLC ±0.005 4 PLC ±0.0005 ANGLES ±.1	NAME: VERTICAL RECEPTACLE ASSEMBLY WITH GUIDES, PRESS-FIT, MULTI-BEAM XL PRODUCT SPEC: 108-1973 APPLICATION SPEC: 114-13038 WEIGHT: - CUSTOMER DRAWING
MATERIAL: - FINISH: -		SIZE: A100779 CAGE CODE: C=6450551 SCALE: 2:1 SHEET: 8 OF 8 REV: H2	RESTRICTED TO: -