



Chipsmall Limited consists of a professional team with an average of over 10 year of expertise in the distribution of electronic components. Based in Hongkong, we have already established firm and mutual-benefit business relationships with customers from,Europe,America and south Asia,supplying obsolete and hard-to-find components to meet their specific needs.

With the principle of “Quality Parts,Customers Priority,Honest Operation,and Considerate Service”,our business mainly focus on the distribution of electronic components. Line cards we deal with include Microchip,ALPS,ROHM,Xilinx,Pulse,ON,Everlight and Freescale. Main products comprise IC,Modules,Potentiometer,IC Socket,Relay,Connector.Our parts cover such applications as commercial,industrial, and automotives areas.

We are looking forward to setting up business relationship with you and hope to provide you with the best service and solution. Let us make a better world for our industry!



## Contact us

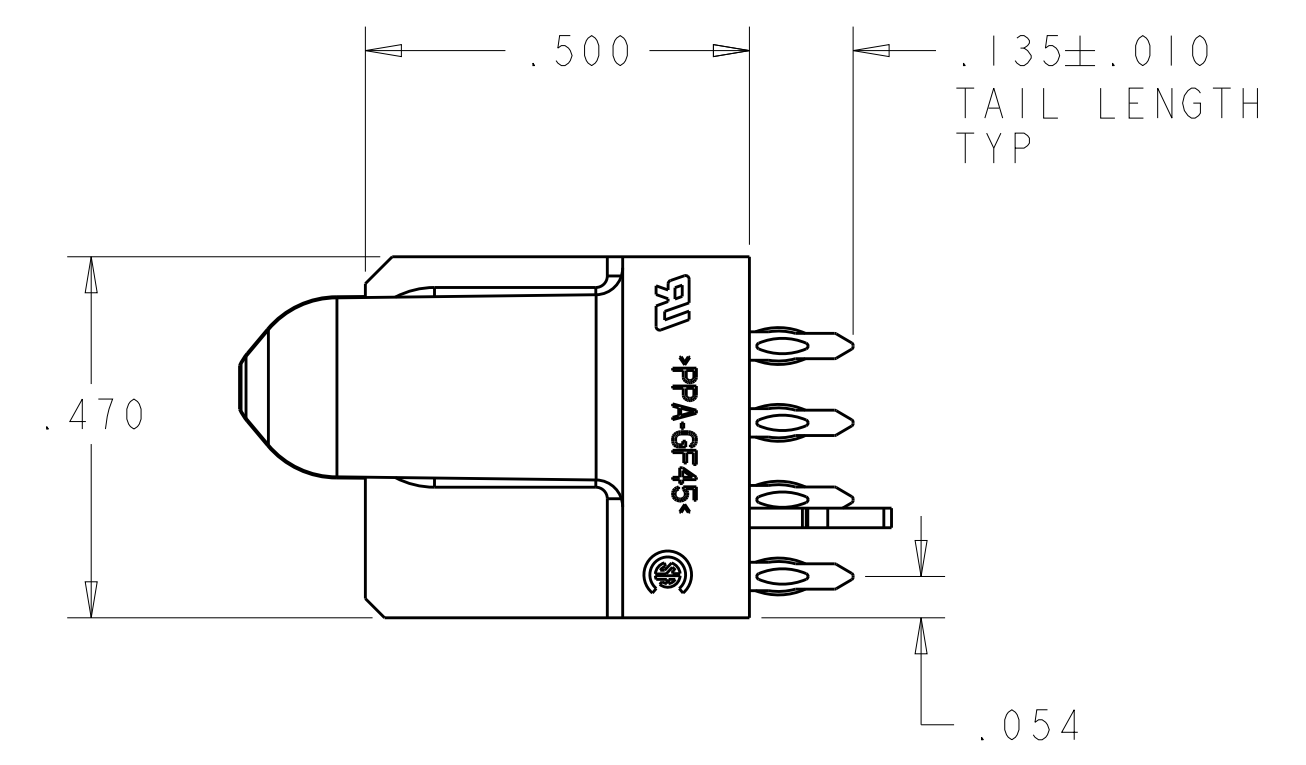
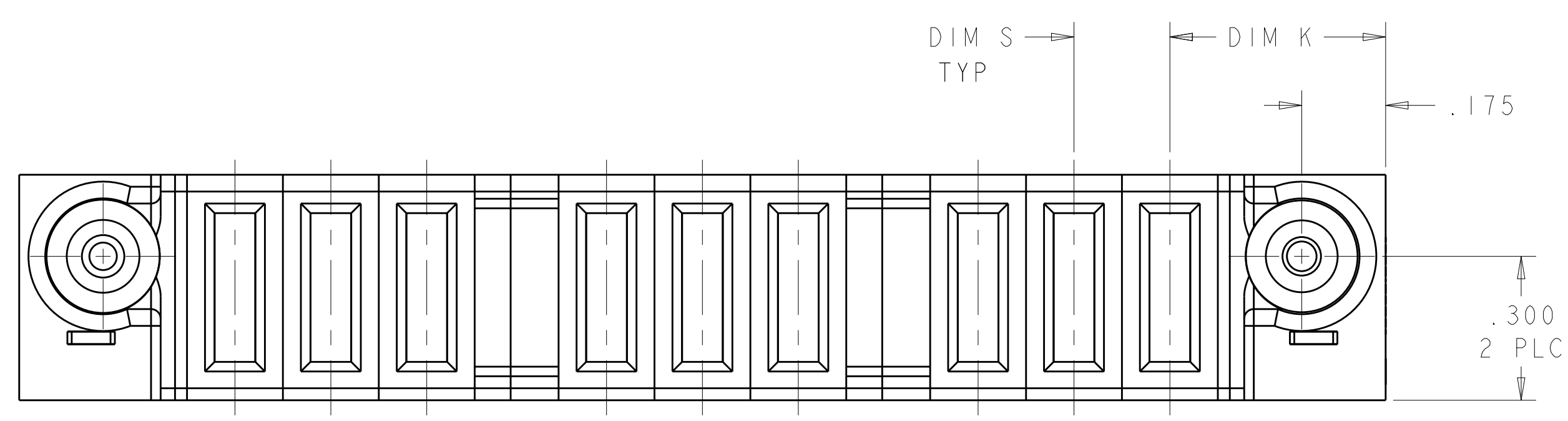
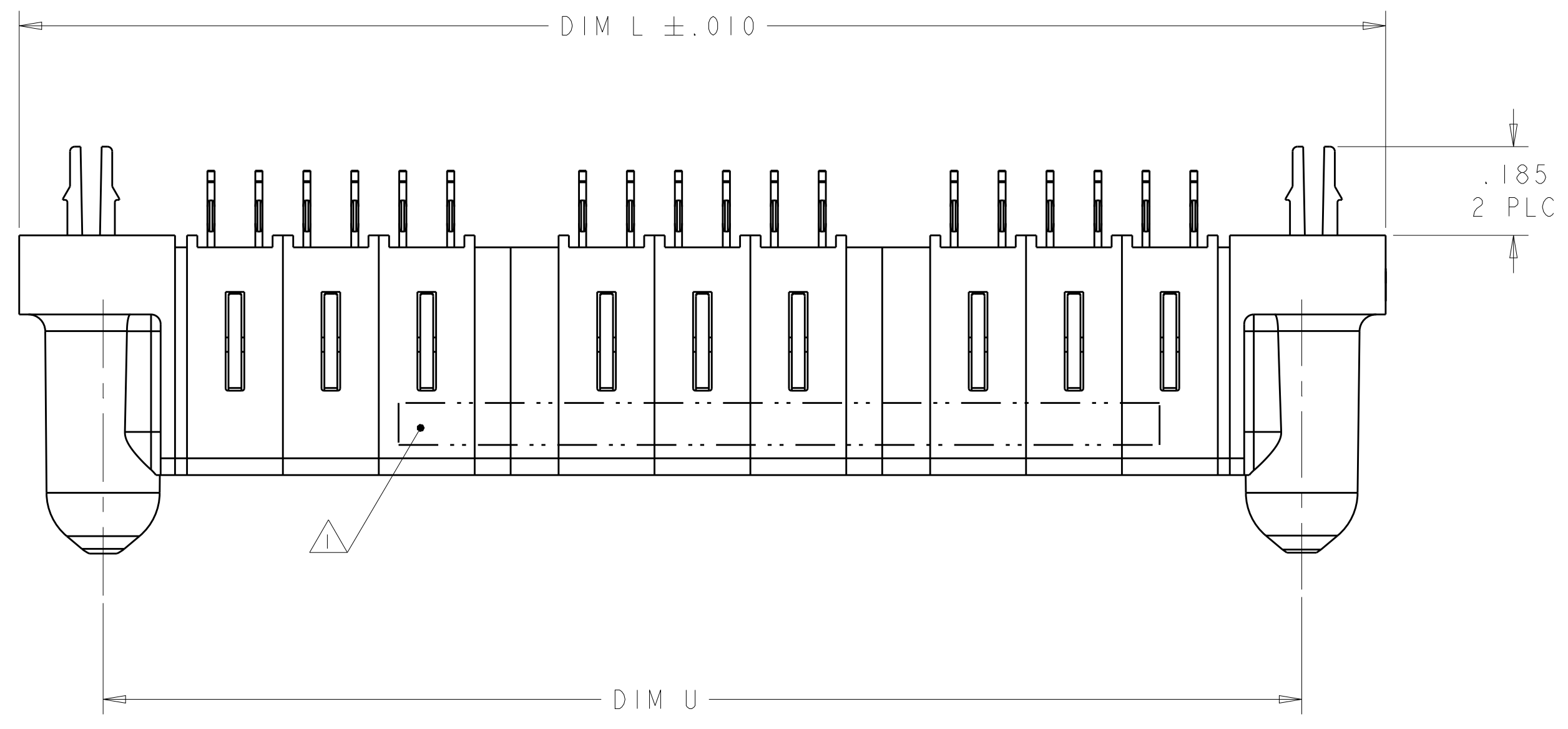
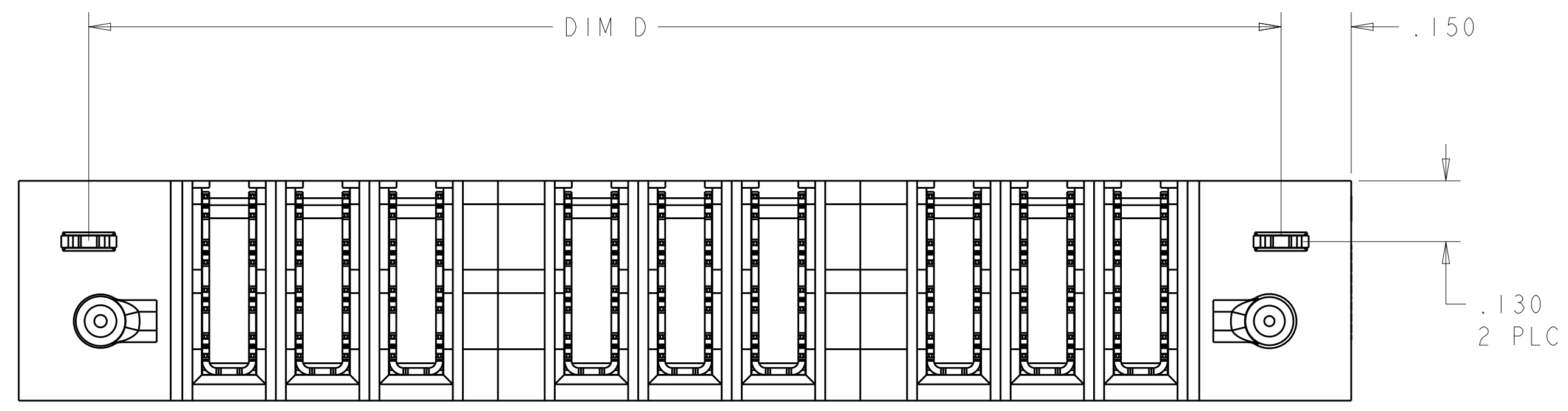
Tel: +86-755-8981 8866 Fax: +86-755-8427 6832

Email & Skype: info@chipsmall.com Web: www.chipsmall.com

Address: A1208, Overseas Decoration Building, #122 Zhenhua RD., Futian, Shenzhen, China



LOC	DIST	REVISIONS			
P	LTN	DESCRIPTION	DATE	DWN	APVD
D2		REV PER ECR-08-020230	13AUG2008	VQ	SY
D3		ADD NEW DASH NUMBER -7	2APR2009	OL	SY
D4		ADD NEW DASH NUMBER -8,-9	5MAR2009	OL	SY
D5		REV PER ECR-09-012325	31MAY2009	OL	SY



- ⚠ "AMP", PART NUMBER, AND DATE CODE TO BE MARKED IN AREA SHOWN, FAR SIDE PARTS UNDER 2.00 LONG MAY BE MARKED ON BOTH SIDES
- ⚠ MATERIAL: HOUSING - GLASS FILLED HIGH TEMP THERMO PLASTIC, UL94 V-0  
 SIGNAL CONTACT - HIGH CONDUCTIVITY COPPER ALLOY  
 POWER CONTACT - HIGH CONDUCTIVITY COPPER ALLOY
- ⚠ CONTACT PLATING: NOBLE METAL PLATING ON CONTACT FUNCTIONAL AREA OF POWER AND SIGNAL CONTACTS
- ⚠ MECHANICAL CONNECTOR KEEP OUT ZONE
- ⚠ DATUM AND BASIC DIMENSIONS ESTABLISHED BY CUSTOMER
- ⚠ PCB - ALL HOLE DIAMETERS ARE FINISHED HOLE SIZES
- ⚠ PCB - .0453 +/- .0010 DRILLED HOLES PLATED WITH .0003 MIN Sn OVER .001 TO .003 PLATING TO ACHIEVE A .040 DIA HOLE
- ⚠ VARIABLE DIMENSIONS SHOWN ON VIEW (SHEET 2).

1.800	1.750	.300	2.100	.450	5ACP	6450553-9
2.100	2.050	.300	2.400	.450	6ACP	6450553-8
1.850	1.800	.250	2.150	.450	6P	6450553-7
1.250	1.200	.300	1.550	.475	3ACP	6450553-6
2.150	2.100	.300	2.450	.475	6ACP	6450553-5
2.550	2.500	⚠	2.850	.450	9P	6450553-4
-	1.700	⚠	2.050	.425	6P	6450553-2
-	1.550	.250	1.900	.450	5P	6450553-1
DIM D	DIM U	DIM S	DIM L	DIM K	DESCRIPTION	PART NUMBER

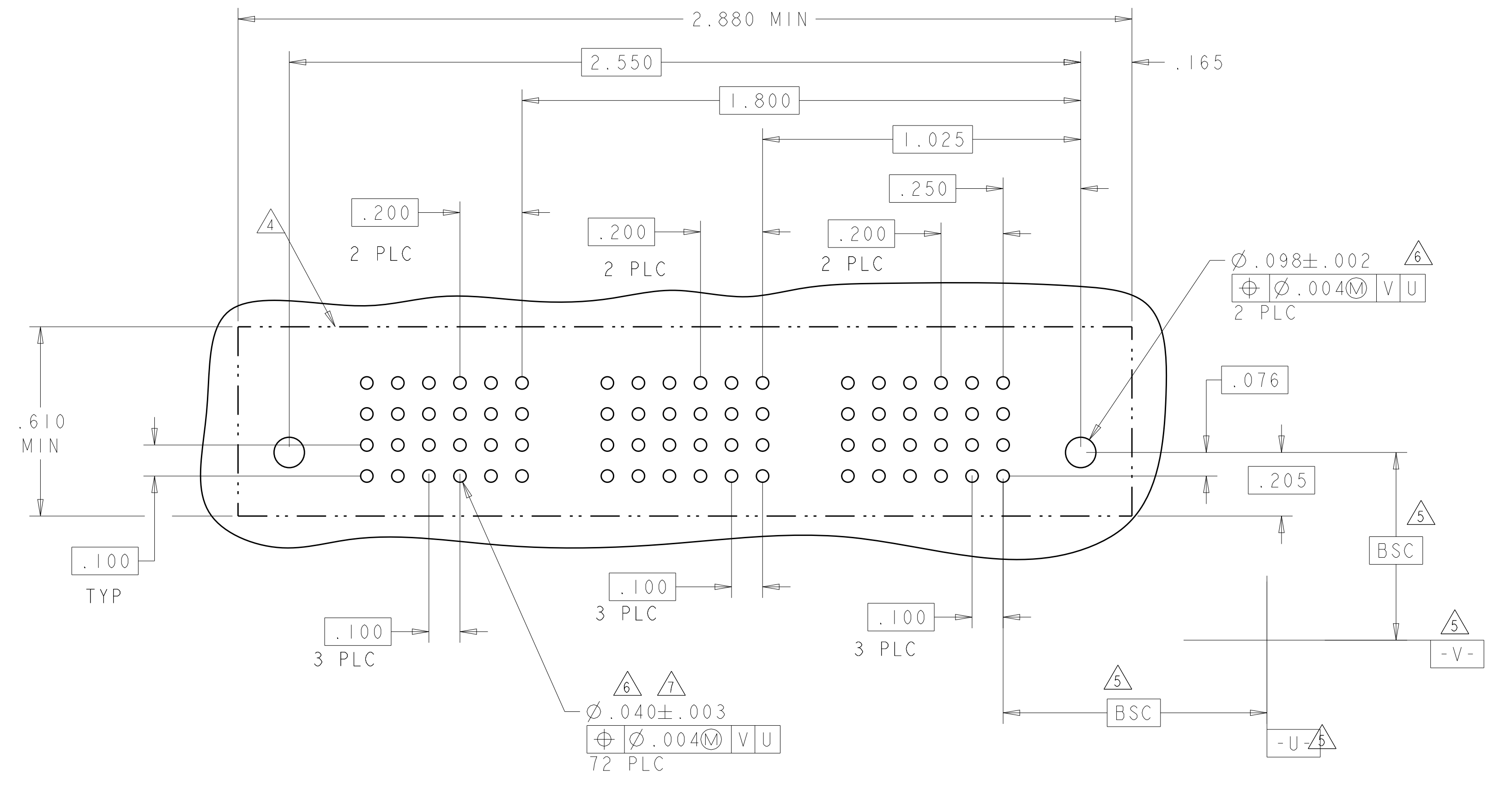
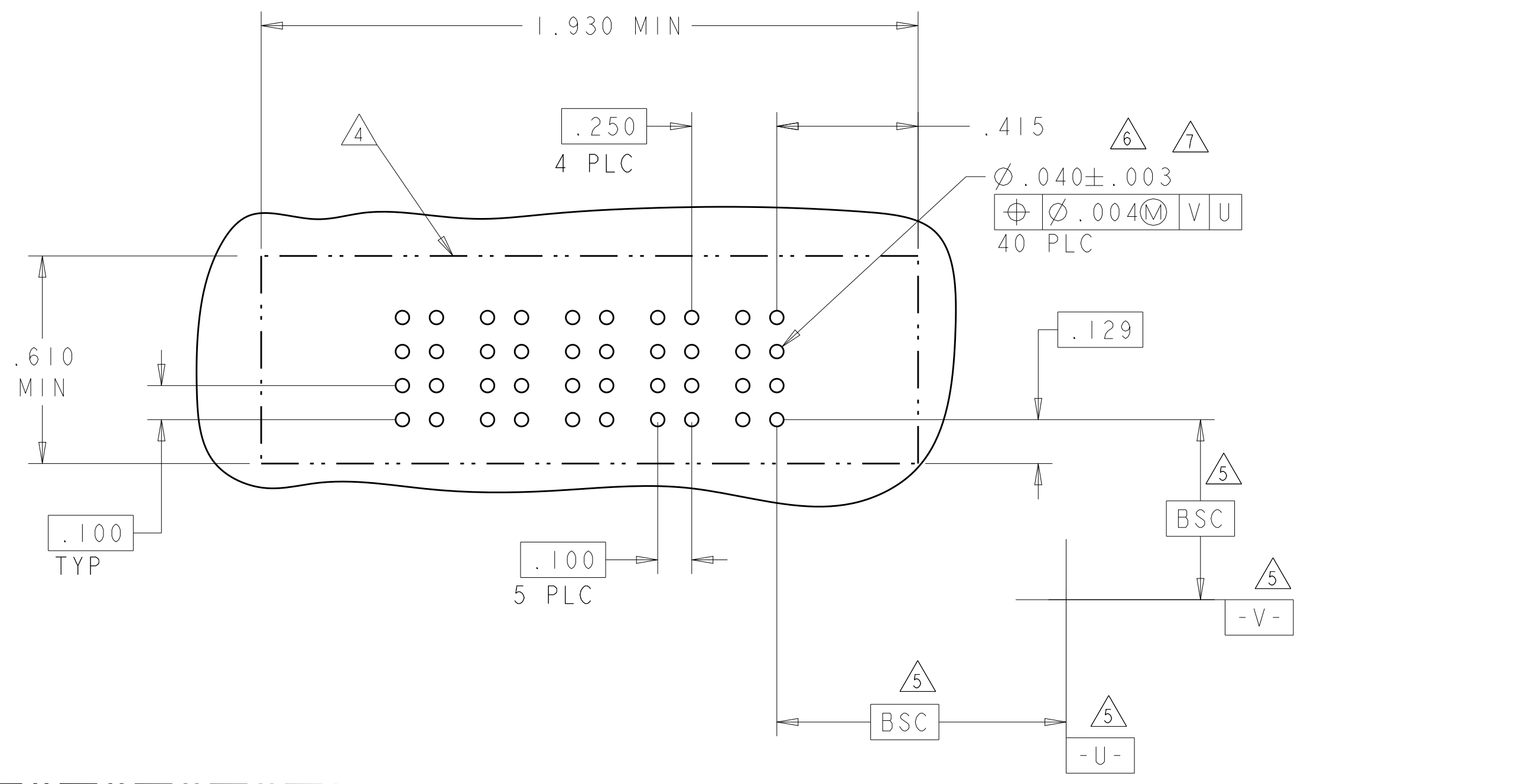
DIMENSIONS: INCHES 		TOLERANCES UNLESS OTHERWISE SPECIFIED: 0 PLC ±. 1 PLC ±.01 2 PLC ±.01 3 PLC ±.005 4 PLC ±.0020 ANGLES ±.7°		DWN: R. GRZYBOWSKI CHK: M. PERCHERKE APVD: M. PERCHERKE NAME: M. PERCHERKE PRODUCT SPEC: 108-1973 APPLICATION SPEC: 114-13038 WEIGHT: - CUSTOMER DRAWING		Tyco Electronics Shanghai, P.R.China, 200233 NAME: VERTICAL RECEPTACLE ASSEMBLY WITH GUIDES, PRESS FIT MULTI-BEAM XL SIZE: A1 CAGE CODE: 00779 DRAWING NO: 6450553 SCALE: 4:1 SHEET: 1 OF 5 REV: D6	
---------------------------	--	--	--	---	--	---	--

LOC	DIST	REV	DATE	BY	APPV
GP	00				

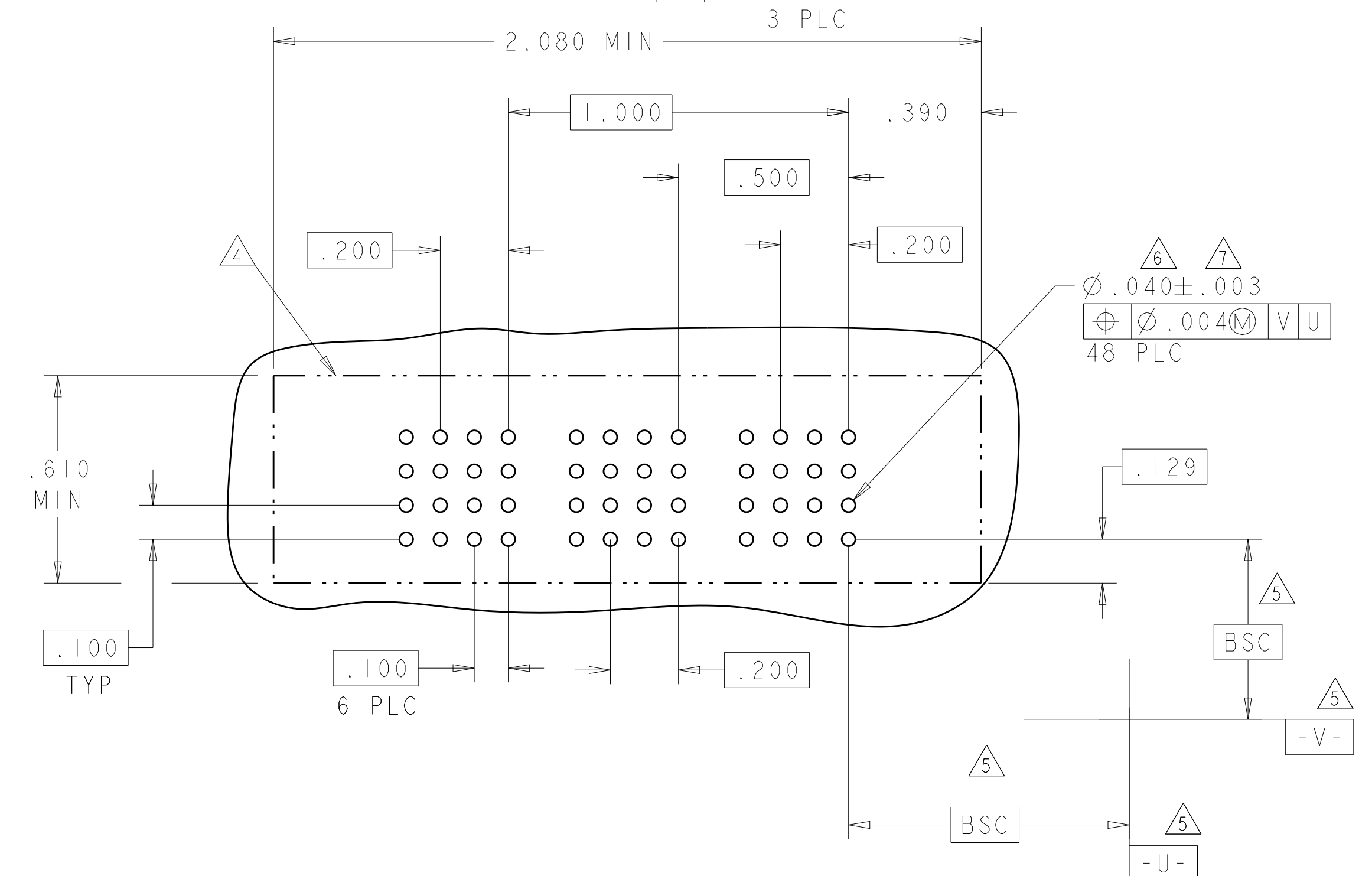
REVISIONS		DATE	BY	APPV
-	SEE SHEET 1	-	-	-

PART NUMBER	ROWS	POWER				
		P5	P4	P3	P2	P1
6450553-1	D C B A	GS	GP	GP	GP	GS
5P						

PART NUMBER	ROWS	POWER								
		P9	P8	P7	P6	P5	P4	P3	P2	P1
6450553-4	D C B A	GP	GS	GS	GP	GS	GS	GP	GS	GS
9P										



PART NUMBER	ROWS	POWER					
		P6	P5	P4	P3	P2	P1
6450553-2	D C B A	GP	GP	GS	GS	GS	GS
6P							



CODE	DESCRIPTION
GS	STD. POWER CONTACT
GP	MFBL POWER CONTACT

CONTACT TABLE	
OWNER	R. GRZYBOWSKI
CHEK	M. PERCHERKE
APV	
PRODUCT SPEC	108-1973
APPLICATION SPEC	114-13038
WEIGHT	
CUSTOMER DRAWING	

INCHES	TOLERANCES UNLESS OTHERWISE SPECIFIED:
0 PLC	±.01
1 PLC	±.01
2 PLC	±.01
3 PLC	±.01
4 PLC	±.005
5 PLC	±.002
ANGLES	±.020
FINISH	±.002

NAME	VERTICAL RECEPTACLE ASSEMBLY WITH GUIDES, PRESS FIT MULTI-BEAM XL
SIZE	114-13038
CAGE CODE	00779
DRAWING NO	6450553
RESTRICTED TO	

SCALE 4:1 SHEET 2 OF 5 REV D6





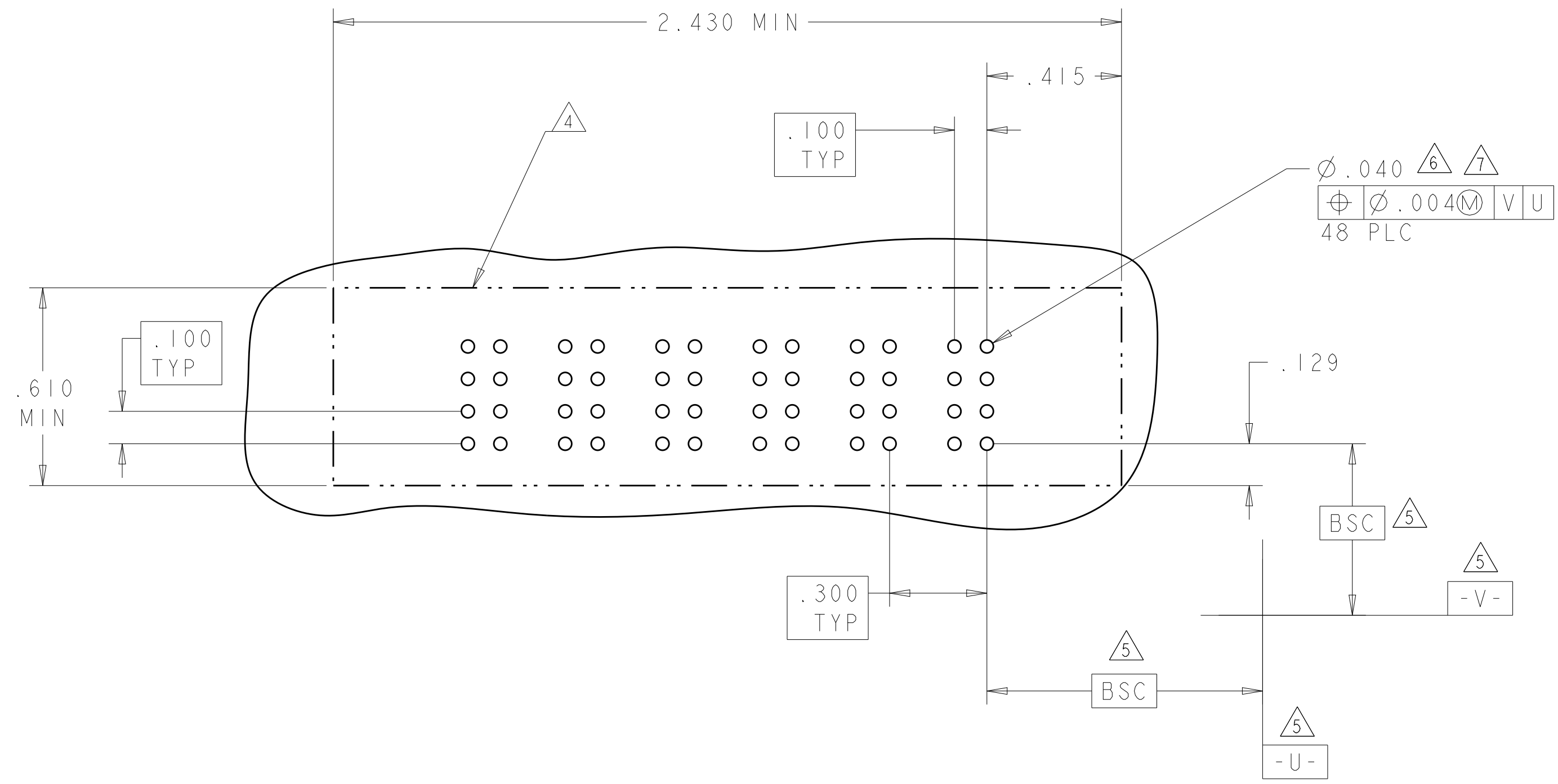
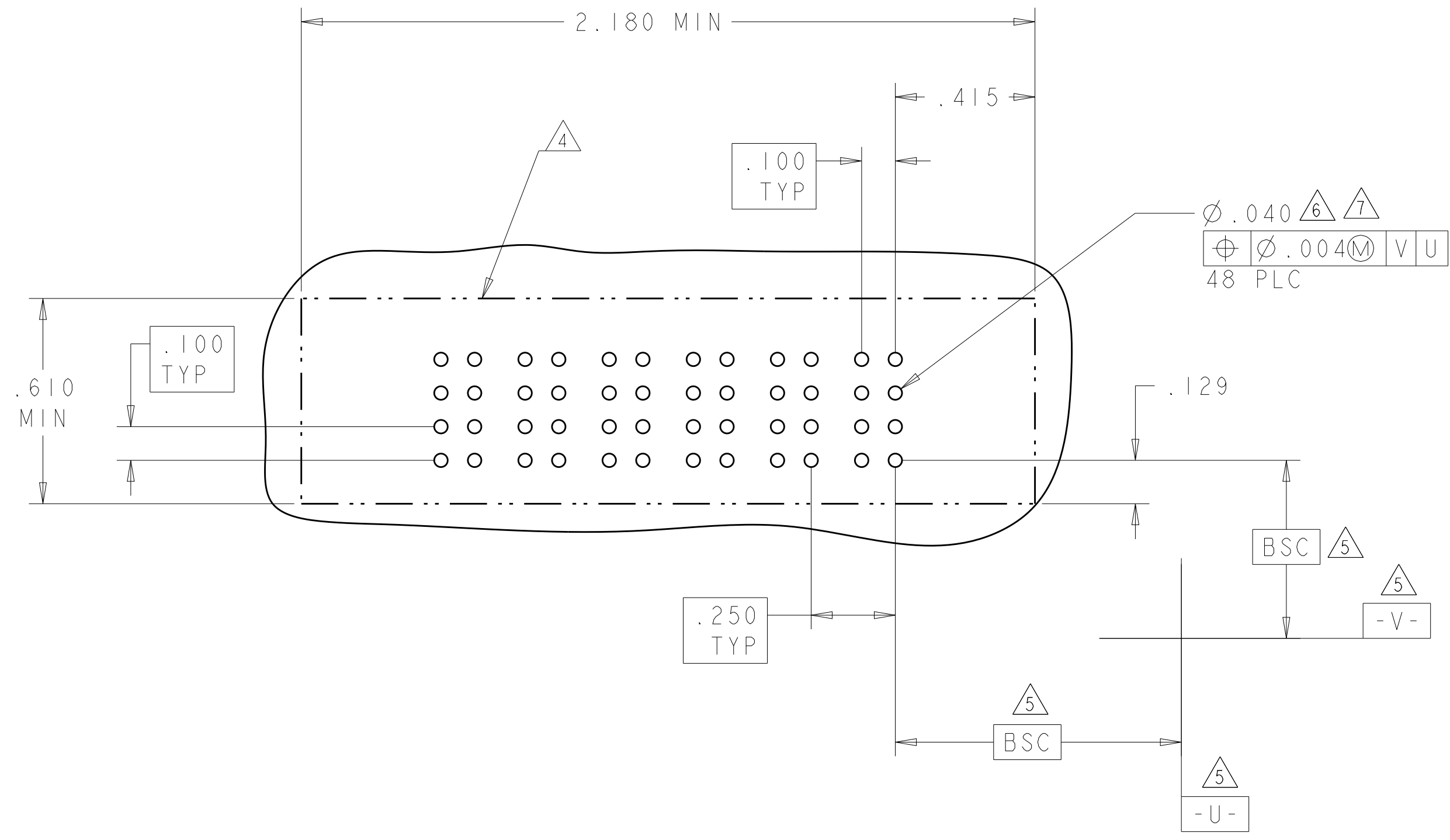
LOC	DIST	REVISIONS			
P	LTN	DESCRIPTION	DATE	DMN	APVD
-	-	SEE SHEET 1	-	-	-

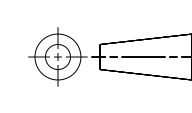
PART NUMBER	ROWS	POWER					
		P6	P5	P4	P3	P2	P1
6450553-7	D C B A	GS	GS	GS	GS	GS	GP
6P							

NO CONTACTS LOADED

PART NUMBER	ROWS	POWER					
		P6	P5	P4	P3	P2	P1
6450553-8	D C B A	GS	GS	GS	GS	GS	GP
6ACP							

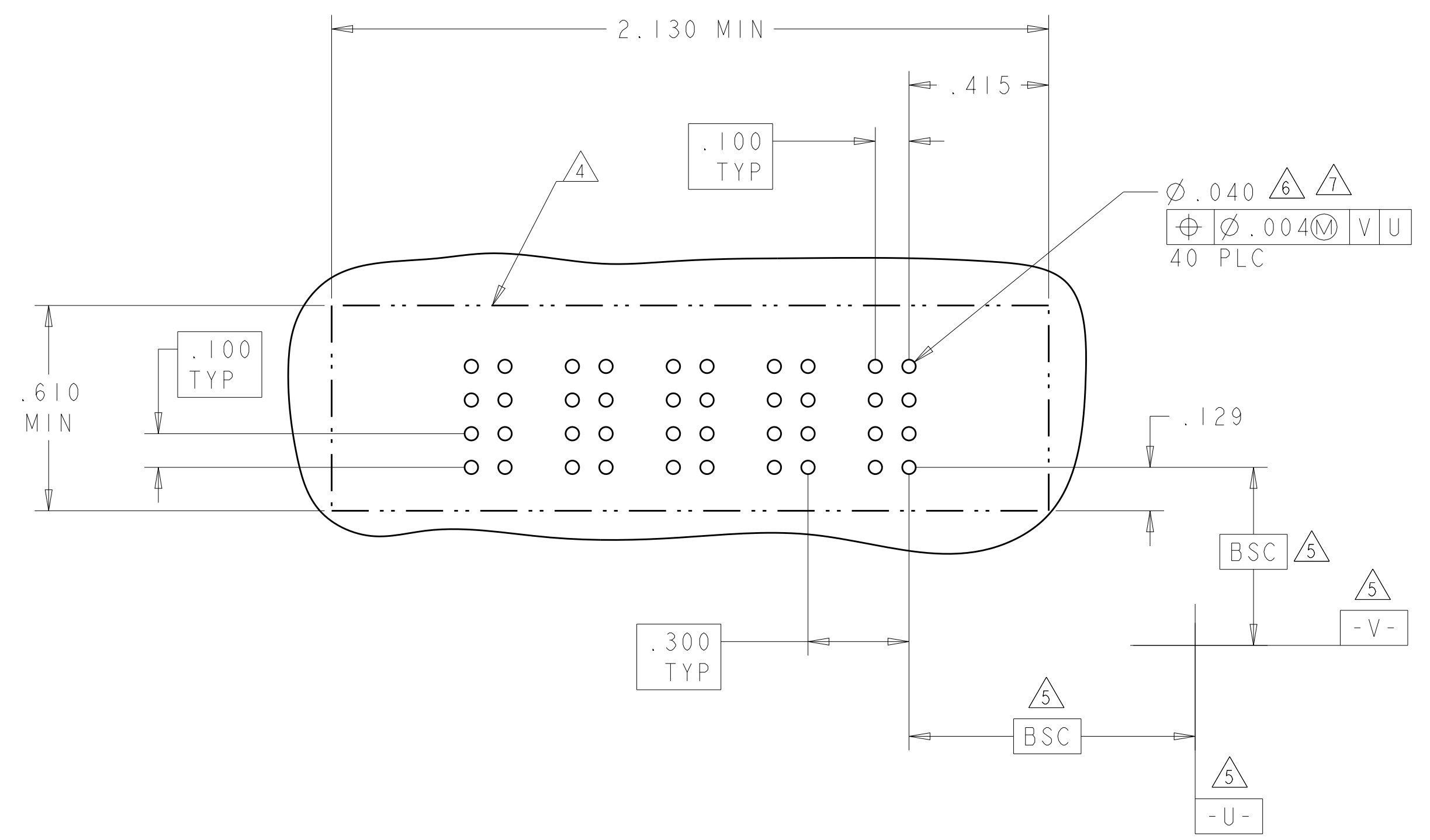
NO CONTACTS LOADED



<small>THIS DRAWING IS UNPUBLISHED. RELEASED FOR PUBLICATION. IT IS THE POLICY OF TYCO ELECTRONICS CORPORATION TO CONTROL THE DISTRIBUTION OF THIS DRAWING. ANY UNAUTHORIZED REPRODUCTION OR DISSEMINATION OF THIS DRAWING IS STRICTLY PROHIBITED. CONTACT TYCO ELECTRONICS CORPORATION FOR MORE INFORMATION.</small>		DWN: R. GRZYBOWSKI 13APR05 CHK: M. PERCHERKE 13APR05 APVD: M. PERCHERKE	Tyco Electronics Shanghai, P.R. China, 200233
DIMENSIONS: INCHES 	TOLERANCES UNLESS OTHERWISE SPECIFIED: 0 PLC ±. 1 PLC ±.01 2 PLC ±.01 3 PLC ±.005 4 PLC ±.0020 ANGLES ±.2° FINISH:	NAME: VERTICAL RECEPTACLE ASSEMBLY WITH GUIDES, PRESS FIT MULTI-BEAM XL PRODUCT SPEC: 108-1973 APPLICATION SPEC: 114-13038 WEIGHT:	SIZE: A1 CAGE CODE: 00779 DRAWING NO: 6450553 RESTRICTED TO:
MATERIAL:	FINISH:	WEIGHT:	SCALE: 4:1 SHEET 4 OF 5 REV: D6
CUSTOMER DRAWING			

LOC		DIST		REVISIONS				
GP	00	P	LTN	DESCRIPTION	DATE	DMN	APVD	
		-		SEE SHEET 1				

PART NUMBER	ROWS	POWER				
		P5	P4	P3	P2	P1
6450553-9	D C B A	GS	GS	GS	GS	GP
5ACP						



<small>THIS DRAWING IS UNPUBLISHED. RELEASED FOR PUBLICATION. IT IS THE PROPERTY OF TYCO ELECTRONICS CORPORATION. IT IS SUBJECT TO CHANGE AND WITHOUT WARRANTY OF MERCHANTABILITY. SHOULD BE CONTACTED FOR THE LATEST REVISION.</small>		DWN: R. GRZYBOWSKI 13APROS CHK: M. PERCHERKE 13APROS APVD: M. PERCHERKE	Tyco Electronics Shanghai, P.R.China, 200233
DIMENSIONS: INCHES	TOLERANCES UNLESS OTHERWISE SPECIFIED: 0 PLC ±. 1 PLC ±.01 2 PLC ±.01 3 PLC ±.005 4 PLC ±.0020 ANGLES ±.2°	NAME: VERTICAL RECEPTACLE ASSEMBLY WITH GUIDES, PRESS FIT MULTI-BEAM XL PRODUCT SPEC: 108-1973 APPLICATION SPEC: 114-13038 WEIGHT: -	SIZE: A1 CAGE CODE: 00779 DRAWING NO: 6450553 RESTRICTED TO: -
MATERIAL: -	FINISH: -	CUSTOMER DRAWING	SCALE: 4:1 SHEET 5 OF 5 REV: D6