



Chipsmall Limited consists of a professional team with an average of over 10 year of expertise in the distribution of electronic components. Based in Hongkong, we have already established firm and mutual-benefit business relationships with customers from,Europe,America and south Asia,supplying obsolete and hard-to-find components to meet their specific needs.

With the principle of “Quality Parts,Customers Priority,Honest Operation,and Considerate Service”,our business mainly focus on the distribution of electronic components. Line cards we deal with include Microchip,ALPS,ROHM,Xilinx,Pulse,ON,Everlight and Freescale. Main products comprise IC,Modules,Potentiometer,IC Socket,Relay,Connector.Our parts cover such applications as commercial,industrial, and automotives areas.

We are looking forward to setting up business relationship with you and hope to provide you with the best service and solution. Let us make a better world for our industry!



## Contact us

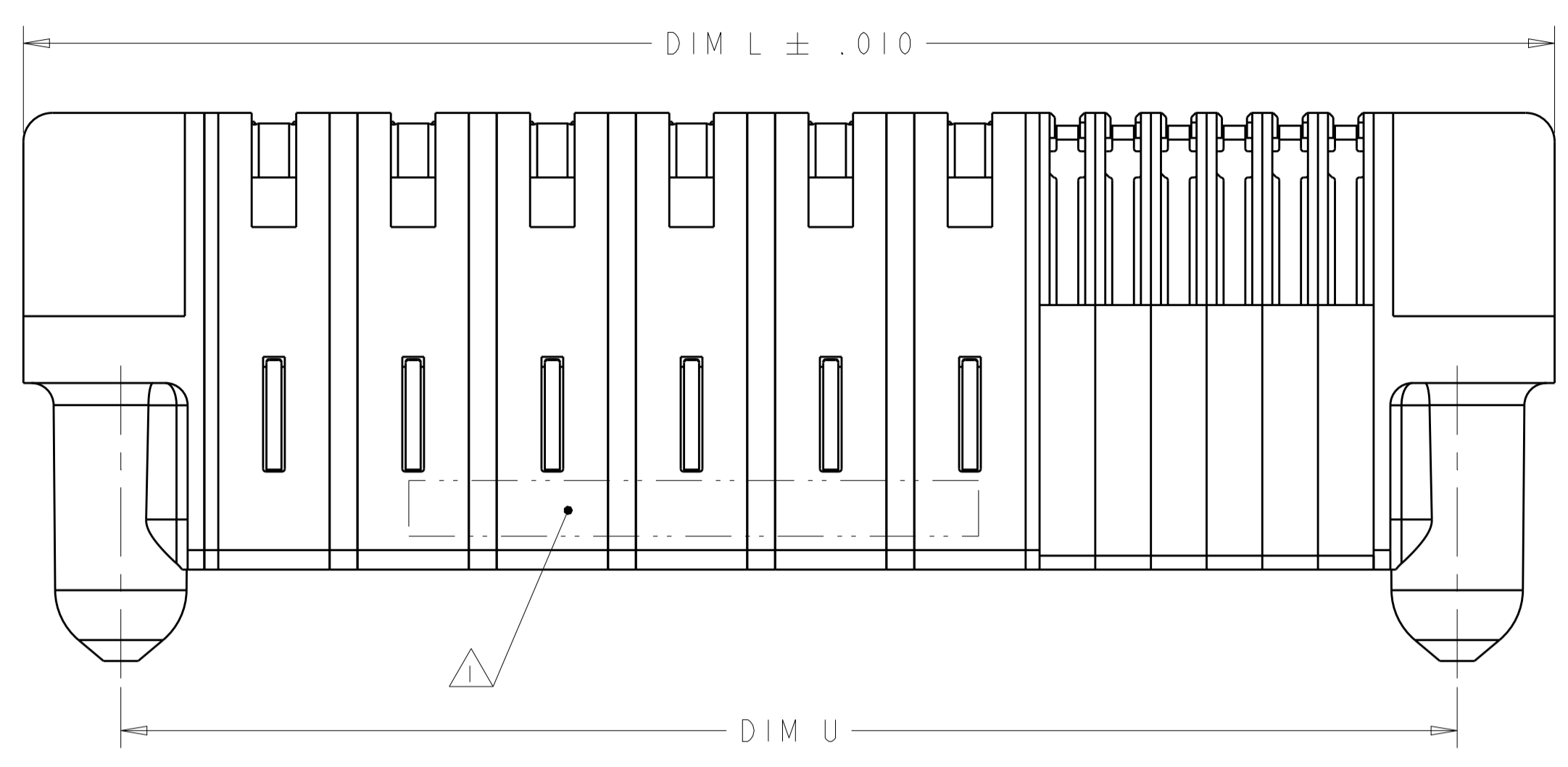
Tel: +86-755-8981 8866 Fax: +86-755-8427 6832

Email & Skype: info@chipsmall.com Web: www.chipsmall.com

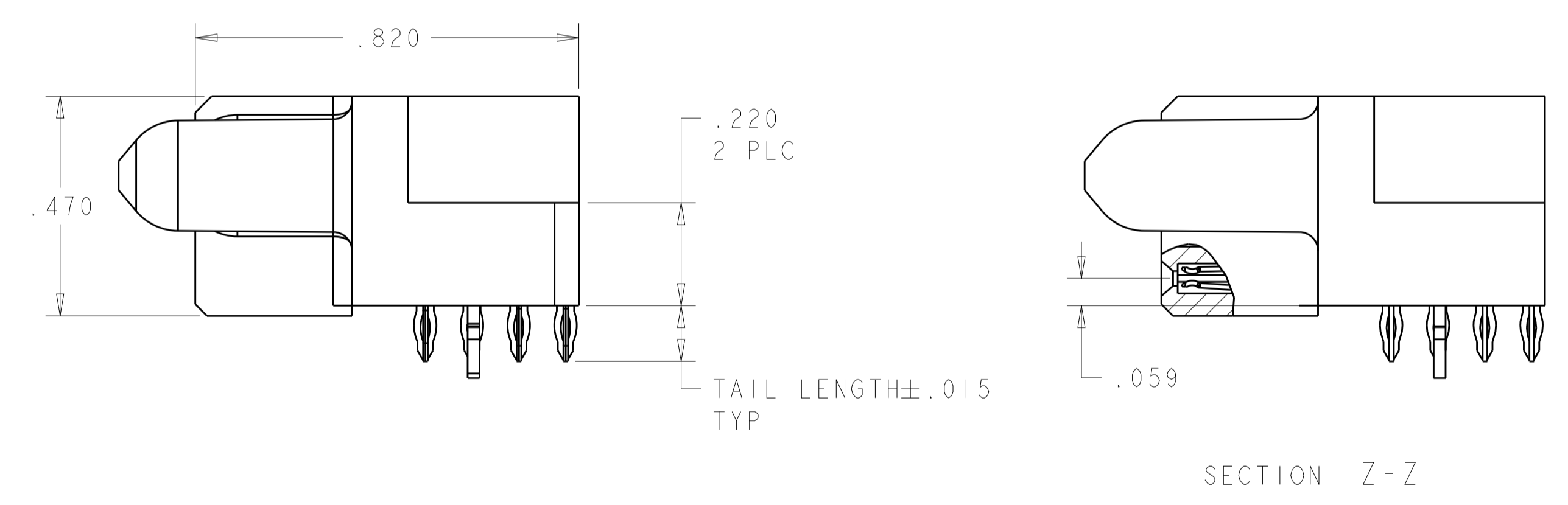
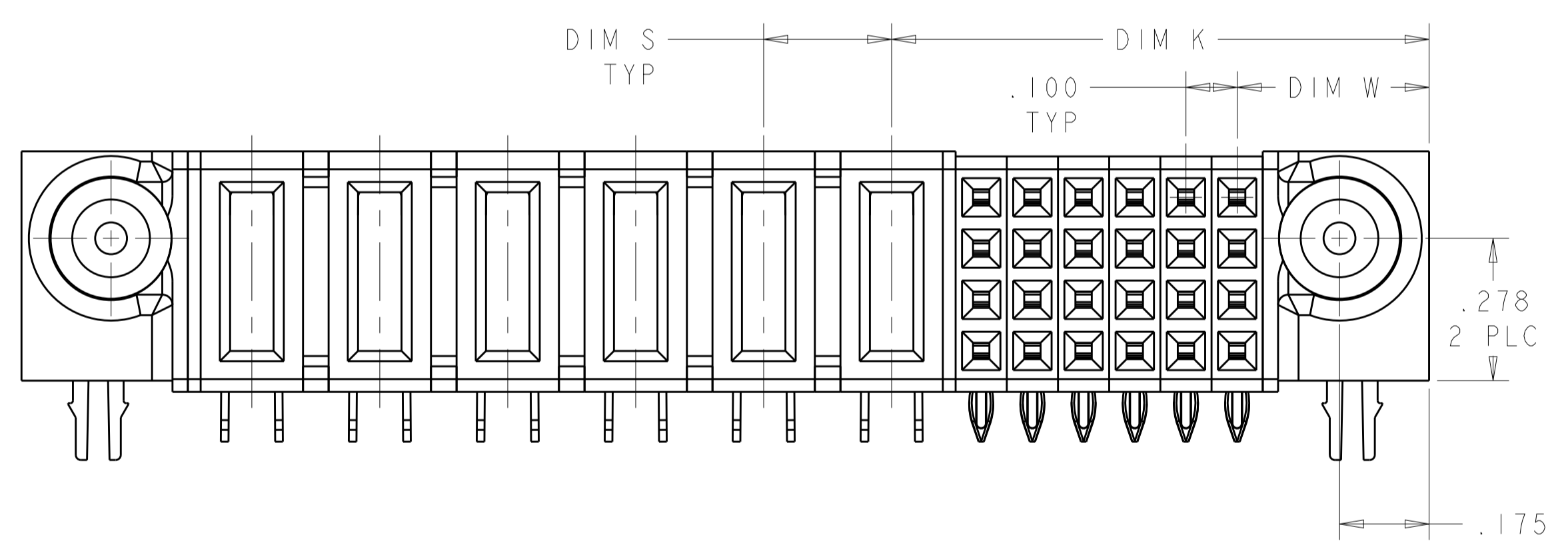
Address: A1208, Overseas Decoration Building, #122 Zhenhua RD., Futian, Shenzhen, China



LOC		DIST		REVISIONS			
ES	00	P	LTN	DESCRIPTION	DATE	DMN	APVD
		E2		REV PER ECR-12-015720	11SEP2012	CZ	SZ
		E3		REV PER ECR-13-004638	20MAR2013	ML	SZ



- 1 "AMP", PART NUMBER AND DATE CODE TO BE MARKED
- 2 MATERIAL: HOUSING - GLASS FILLED HIGH TEMP THERMO PLASTIC, UL94 V-0.  
 SIGNAL CONTACT - HIGH CONDUCTIVITY COPPER ALLOY  
 POWER CONTACT - HIGH CONDUCTIVITY COPPER ALLOY
- 3 CONTACT PLATING:  
 NOBLE METAL PLATED ON THE CONTACT FUNCTIONAL AREA OF POWER AND SIGNAL CONTACTS.
- 4 MECHANICAL CONNECTOR KEEP OUT ZONE.
- 5 DATUM AND BASIC DIMENSIONS ESTABLISHED BY CUSTOMER.
- 6 PCB - ALL HOLE DIAMETERS ARE FINISHED HOLE SIZES
- 7 PCB - .0453±.0010 DRILLED HOLES PLATED WITH .0003 MIN Sn OVER .001 TO .003 Cu PLATING TO ACHIEVE A .040 DIAMETER HOLE



E2	.119	.375	1.600	.250	1.950	.750	12S + 4P	6450561-8
	.119	.375	4.650	.250	5.000	2.050	64S + 11P	6450561-7
	.165	.375	1.500	-	1.850	-	48S	6450561-5
	.119	.425	1.200	-	1.550	-	32S	6450561-4
	.119	.375	2.400	.250	2.750	1.050	24S + 6P	6450561-3
	TAIL LENGTH	DIM W	DIM U	DIM S	DIM L	DIM K	DESCRIPTION	PART NUMBER

THIS DRAWING IS A CONTROLLED DOCUMENT. DMN: CECILY.ZHOU 05JUL06  
 CHK: S.ZHAO 05JUL06  
 APVD: S.YAO

**STE** TE Connectivity

NAME: RIGHT ANGLE RECEPTACLE ASSEMBLY  
 MULTI-BEAM XL

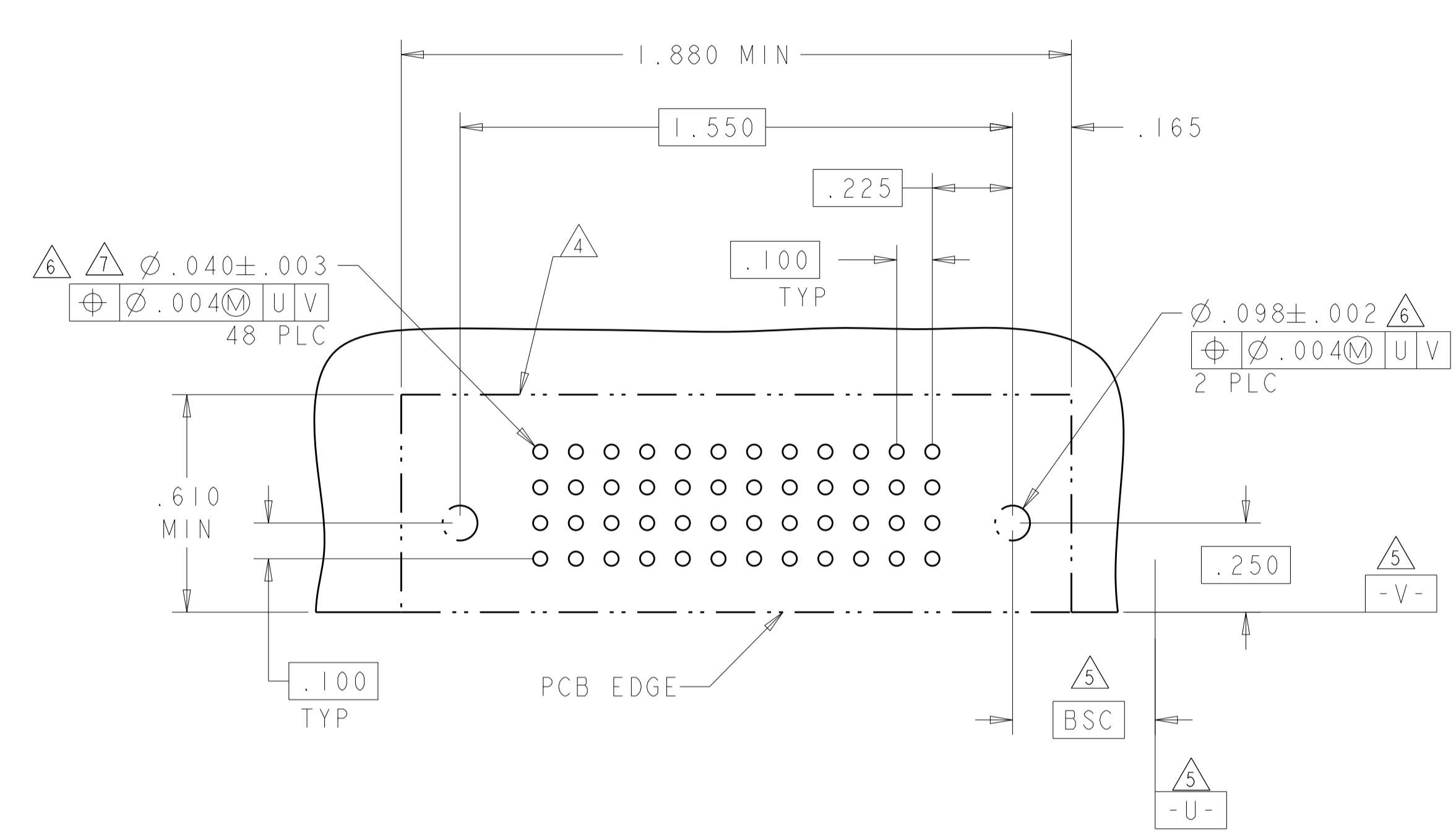
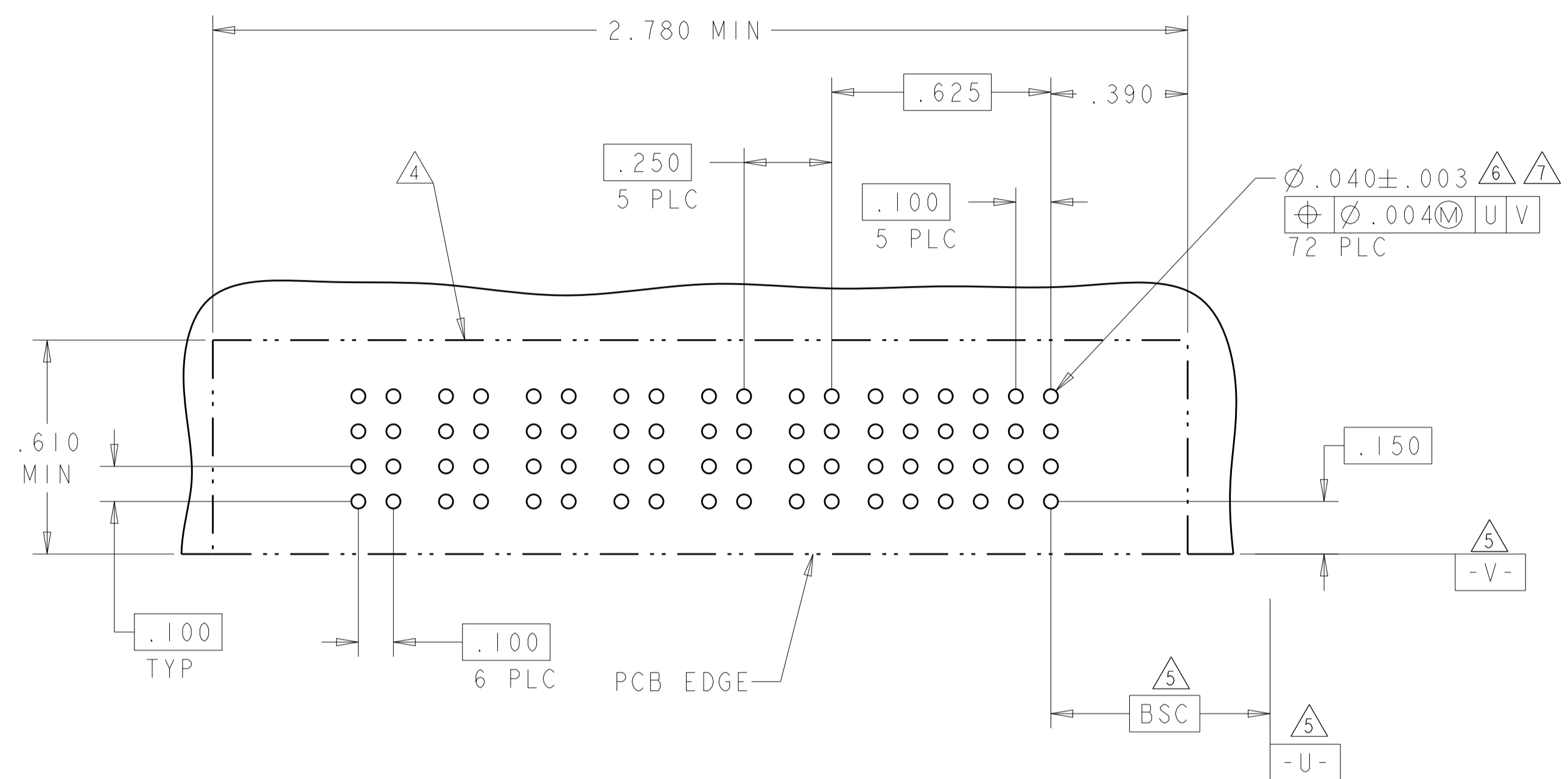
PRODUCT SPEC: 108-1973  
 APPLICATION SPEC: 114-13038

SIZE: 114-13038  
 WEIGHT: -

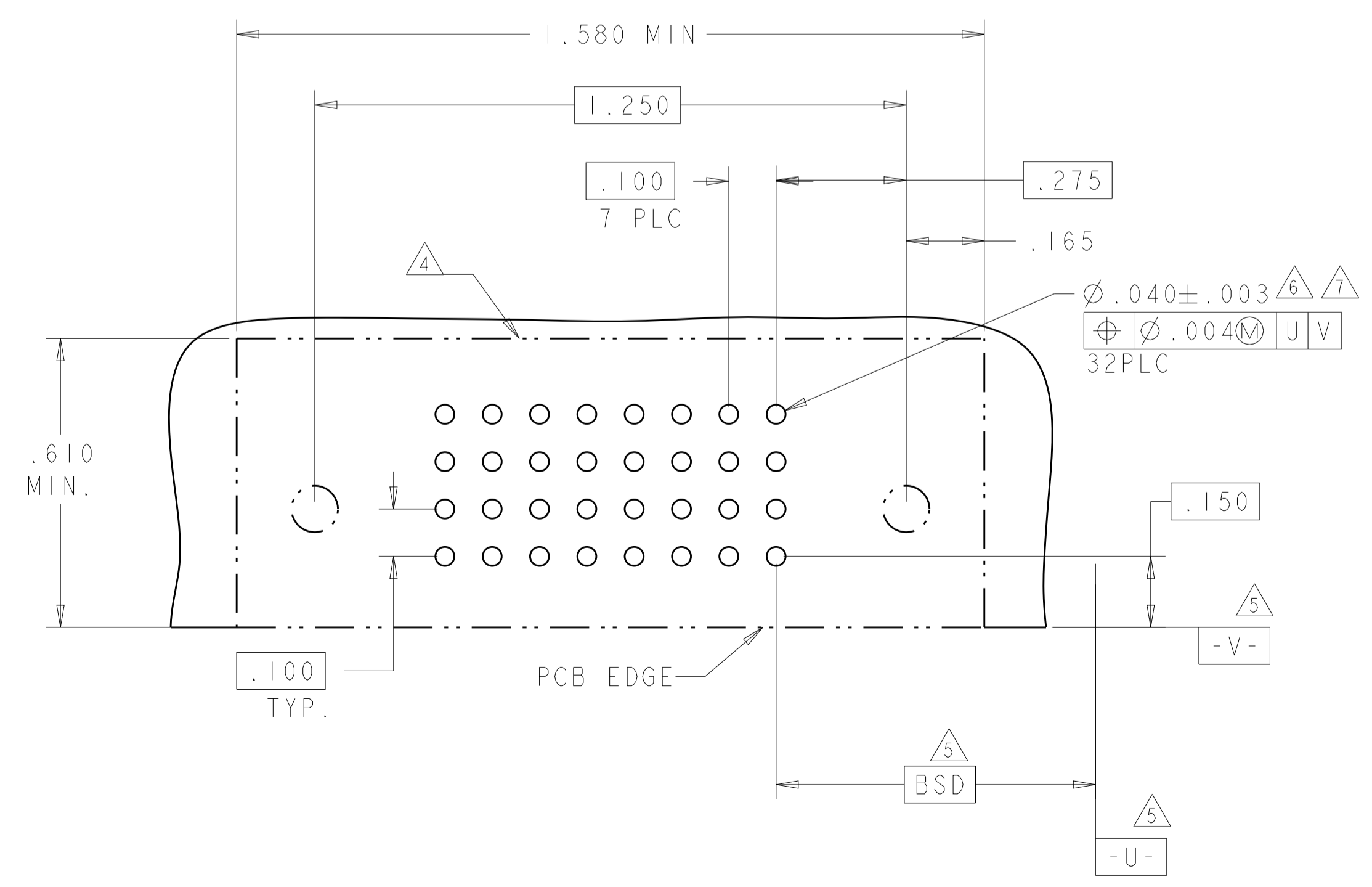
CUSTOMER DRAWING SCALE: 4:1 SHEET 1 OF 4 REV: E3

PART NUMBER	ROWS	POWER						SIGNAL					
		P6	P5	P4	P3	P2	P1	6	5	4	3	2	1
6450561-3	D C B A	RP	RP	RP	RP	RP	RP	D	D	D	D	D	D
								C	C	C	C	C	C
								B	B	B	B	B	B
								A	A	A	A	A	A
24S + 6P													

PART NUMBER	ROWS	SIGNAL											
		12	11	10	9	8	7	6	5	4	3	2	1
6450561-5	D C B A	DD	DD	DD	DD	DD	DD	DD	DD	DD	DD	DD	DD
		CC	CC	CC	CC	CC	CC	CC	CC	CC	CC	CC	CC
		BB	BB	BB	BB	BB	BB	BB	BB	BB	BB	BB	BB
		AA	AA	AA	AA	AA	AA	AA	AA	AA	AA	AA	AA
48S													



PART NUMBER	ROWS	SIGNAL							
		8	7	6	5	4	3	2	1
6450561-4	D C B A	D	D	D	D	D	D	D	D
		C	C	C	C	C	C	C	C
		B	B	B	B	B	B	B	B
		A	A	A	A	A	A	A	A
32S									

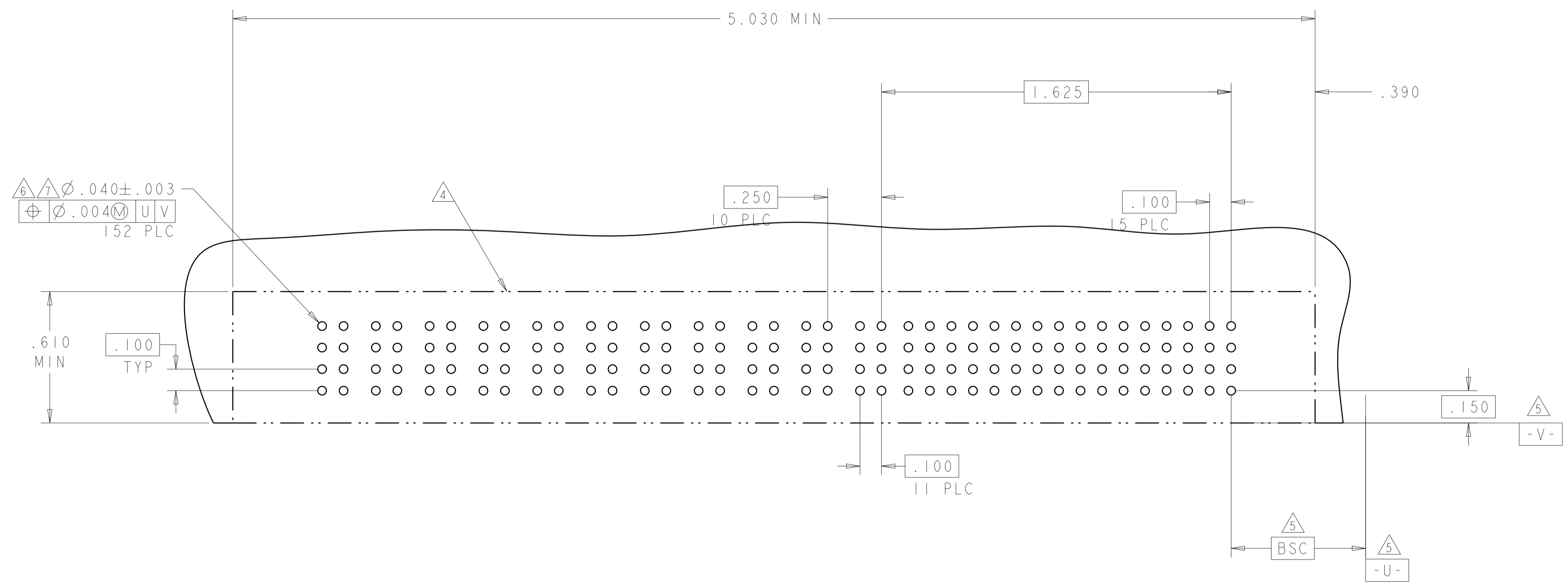


TAIL LENGTH	CODE	DESCRIPTION	ROW
.165	DD	SIGNAL CONTACT, PRESS-FIT	D
.165	CC	SIGNAL CONTACT, PRESS-FIT	C
.165	BB	SIGNAL CONTACT, PRESS-FIT	B
.165	AA	SIGNAL CONTACT, PRESS-FIT	A
.119	D	SIGNAL CONTACT, PRESS-FIT	D
.119	C	SIGNAL CONTACT, PRESS-FIT	C
.119	B	SIGNAL CONTACT, PRESS-FIT	B
.119	A	SIGNAL CONTACT, PRESS-FIT	A
.119	RS	POWER CONTACT, STD, PRESS FIT	-
.119	RP	POWER CONTACT, MFBL, PRESS FIT	-

THIS DRAWING IS A CONTROLLED DOCUMENT.		OWN: CECILY.ZHOU 05JUL06	 TE Connectivity
DIMENSIONS: INCHES		CHK: S.ZHAO 05JUL06	
TOLERANCES UNLESS OTHERWISE SPECIFIED:		APVD: S.YAO	NAME: RIGHT ANGLE RECEPTACLE ASSEMBLY
0 PLC ±.01	1 PLC ±.01	PRODUCT SPEC	108-1973
2 PLC ±.01	3 PLC ±.005	APPLICATION SPEC	SIZE: 114-13038
4 PLC ±.002	ANGLES ±.020	FINISH: #2	RESTRICTED TO: A100779C=6450561
MATERIAL: #2		FINISH: #3	SCALE: 4:1 SHEET 2 OF 4 REV: E3
CUSTOMER DRAWING		DATE: 05JUL06	

LOC	DIST	REVISIONS					
		P	LTN	DESCRIPTION	DATE	OWN	APVD
ES	00	-	-	SEE SHEET 1	-	-	-

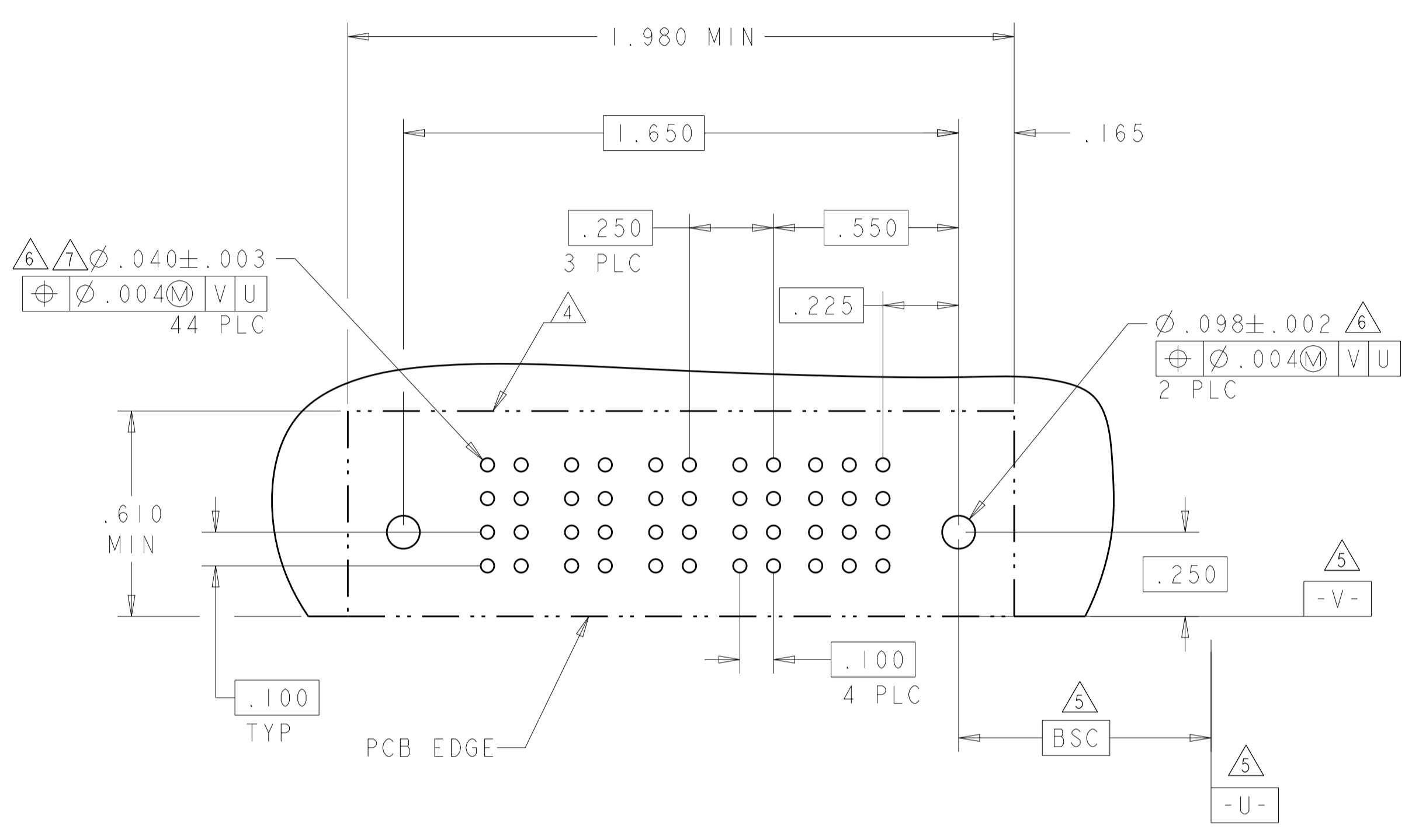
PART NUMBER	ROWS	POWER										SIGNAL																	
		P11	P10	P9	P8	P7	P6	P5	P4	P3	P2	P1	16	15	14	13	12	11	10	9	8	7	6	5	4	3	2	1	
6450561-7	D											D	D	D	D	D	D	D	D	D	D	D	D	D	D	D	D	D	
	C	RS	RS	RS	RS	RS	RS	RS	RS	RS	RS	C	C	C	C	C	C	C	C	C	C	C	C	C	C	C	C	C	
	B											B	B	B	B	B	B	B	B	B	B	B	B	B	B	B	B	B	
	A											A	A	A	A	A	A	A	A	A	A	A	A	A	A	A	A	A	
64S + IIP																													



THIS DRAWING IS A CONTROLLED DOCUMENT.		OWN: CECILY.ZHOU 05JUL06	TE Connectivity
DIMENSIONS: INCHES		CHK: S.ZHAO 05JUL06	
TOLERANCES UNLESS OTHERWISE SPECIFIED: 0 PLC ±. 1 PLC ±.01 2 PLC ±.01 3 PLC ±.005 4 PLC ±.0020 ANGLES ±.2°		APVD: S.YAO	NAME: RIGHT ANGLE RECEPTACLE ASSEMBLY
		PRODUCT SPEC: 108-1973	PRODUCT SPEC: MULTI-BEAM XL
MATERIAL: -		APPLICATION SPEC: 114-13038	SIZE: A100779
FINISH: -		WEIGHT: -	CAGE CODE: 6450561
CUSTOMER DRAWING		SCALE: 4:1	SHEET 3 OF 4 REV: E3

LOC	DIST	REVISIONS			
P	LTN	DESCRIPTION	DATE	DWN	APVD
-	-	SEE SHEET 1	-	-	-

PART NUMBER	ROWS	POWER				SIGNAL		
		P4	P3	P2	P1	3	2	1
6450561-8	D	RS	RS	RS	RS	D	D	D
	C					C	C	
	B					B	B	
	A					A	A	
12S + 4P		HD				HD		



THIS DRAWING IS A CONTROLLED DOCUMENT.		DWN: GECILY.ZHOU 05JUL06		TE Connectivity
DIMENSIONS: INCHES		CHK: S.ZHAO 05JUL06		NAME: RIGHT ANGLE RECEPTACLE ASSEMBLY
TOLERANCES UNLESS OTHERWISE SPECIFIED:		APVD: S.YAO	PRODUCT SPEC: 108-1973	
0 PLC ±.01		APPLICATION SPEC: 114-13038		
1 PLC ±.01		SIZE: A1		
2 PLC ±.01		CAGE CODE: 6450561		
3 PLC ±.01		DRAWING NO: 6450561		
4 PLC ±.0020		RESTRICTED TO: -		
ANGLES ±.2°		MATERIAL: -		
FINISH: -		WEIGHT: -		
CUSTOMER DRAWING		SCALE: 4:1 SHEET 4 OF 4 REV: E3		