



Chipsmall Limited consists of a professional team with an average of over 10 year of expertise in the distribution of electronic components. Based in Hongkong, we have already established firm and mutual-benefit business relationships with customers from,Europe,America and south Asia,supplying obsolete and hard-to-find components to meet their specific needs.

With the principle of “Quality Parts,Customers Priority,Honest Operation,and Considerate Service”,our business mainly focus on the distribution of electronic components. Line cards we deal with include Microchip,ALPS,ROHM,Xilinx,Pulse,ON,Everlight and Freescale. Main products comprise IC,Modules,Potentiometer,IC Socket,Relay,Connector.Our parts cover such applications as commercial,industrial, and automotives areas.

We are looking forward to setting up business relationship with you and hope to provide you with the best service and solution. Let us make a better world for our industry!



Contact us

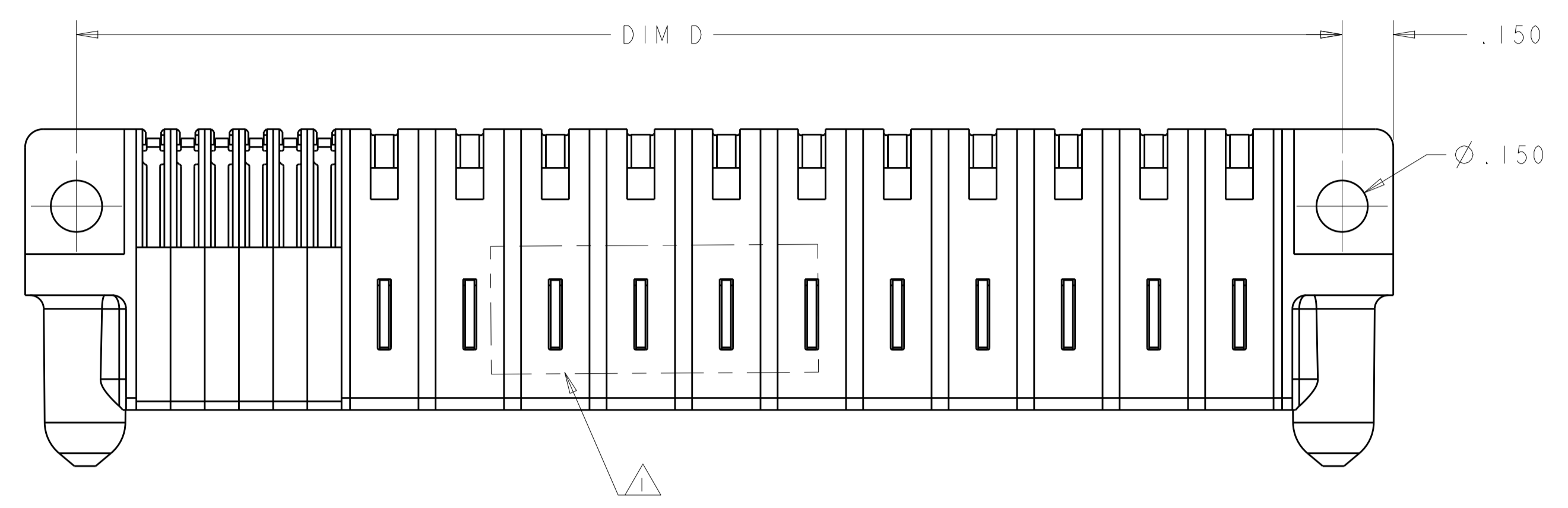
Tel: +86-755-8981 8866 Fax: +86-755-8427 6832

Email & Skype: info@chipsmall.com Web: www.chipsmall.com

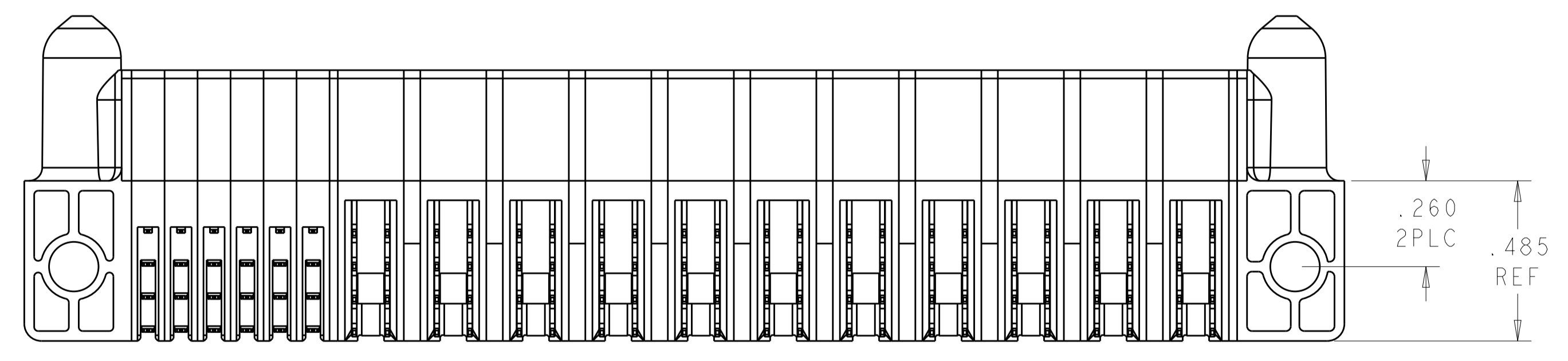
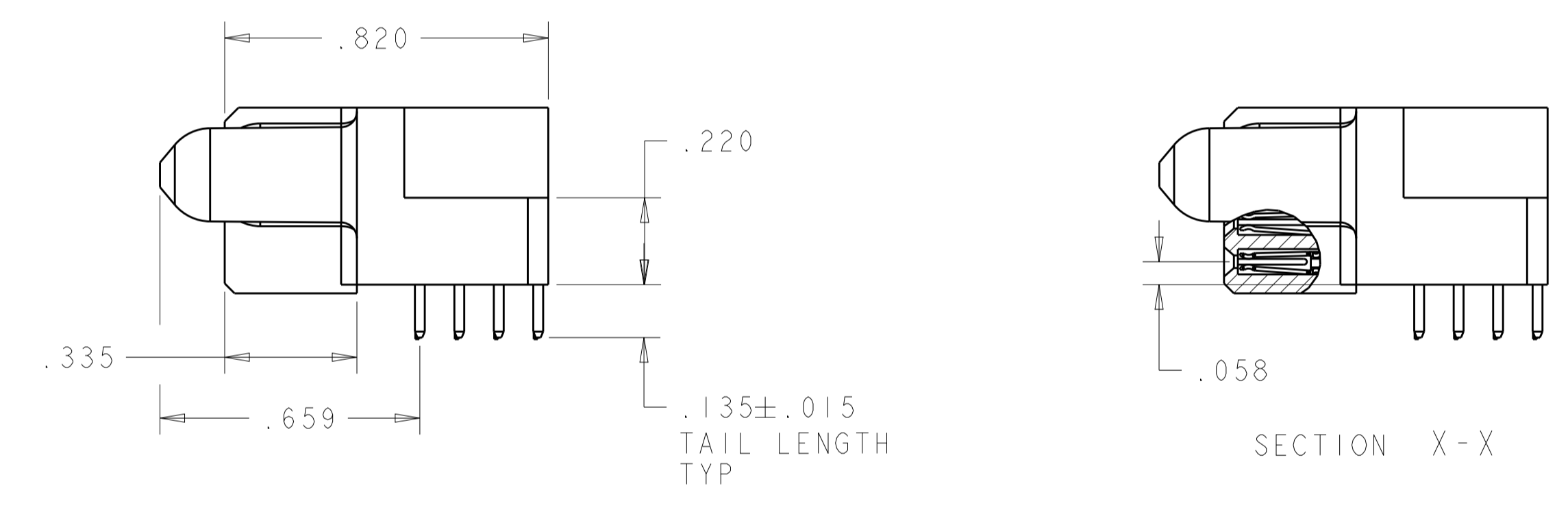
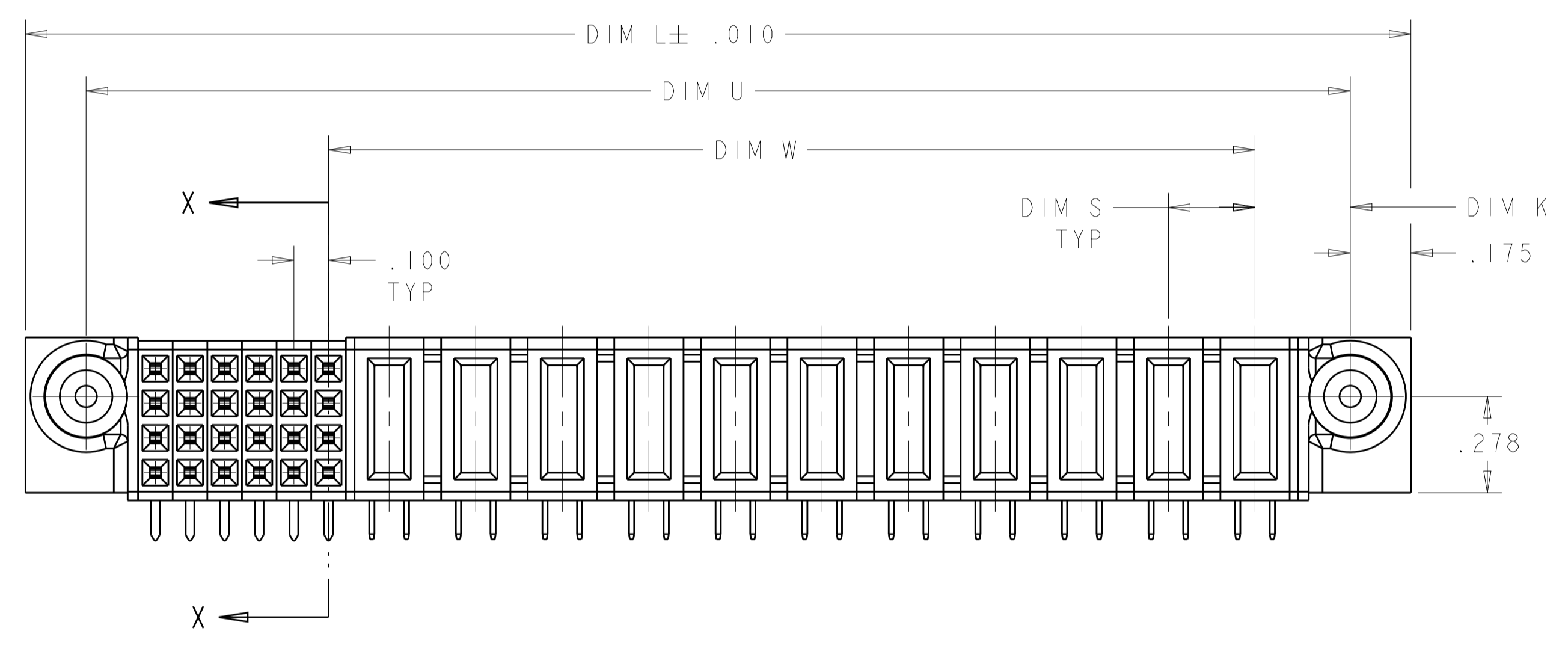
Address: A1208, Overseas Decoration Building, #122 Zhenhua RD., Futian, Shenzhen, China



LOC	DIST	REVISIONS			
ES	00	REV	DATE	BY	CHK
		C	REV PER ECR-09-022806	19OCT2009	OL SY
		C1	REV PER ECR-10-015349	07JUL2010	AL WMQ
		C2	ADDED THE DASH NO -4	24MAY2011	ML SZ
		C3	ADVISED	16MAR2013	ML SZ



- ① "AMP", TRADEMARK, PART NUMBER AND DATE CODE TO BE MARKED IN AREA SHOWN PARTS UNDER 2.00 LONG MAY BE MARKED ON BOTH SIDES.
- ② MATERIAL: HOUSING - GLASS FILLED HIGH TEMP THERMO PLASTIC, UL94 V-0
SIGNAL CONTACT - COPPER ALLOY
POWER CONTACT - COPPER ALLOY
- ③ CONTACT PLATING: NOBLE METAL PLATING ON CONTACT FUNCTIONAL AREA OF POWER AND SIGNAL CONTACTS
- ④ MECHANICAL CONNECTOR KEEP OUT ZONE.
- ⑤ DATUM AND BASIC DIMENSIONS ESTABLISHED BY CUSTOMER.
- ⑥ PCB - ALL HOLE DIAMETERS ARE FINISHED HOLE SIZES.
- ⑦ PCB - .0453 ± .0010 DRILLED HOLES PLATED WITH .0003 MIN Sn OVER .001 TO .003 CU PLATING TO ACHIEVE A .040 ± .003 DIA HOLE.
- ⑧ VARIABLE DIMENSIONS PLEASE REFER TO TABLE.



1.900	.250	.675	1.950	2.250	.275	4P + 24S	6450362-8
3.400	.250	2.425	3.450	3.750	.275	10P + 24S	6450362-7
2.700	⑧	1.825	2.750	3.050	.275	4ACP+3P+20S	6450362-6
2.900	.250	1.925	2.950	3.250	.275	8P + 24S	6450362-4
3.650	.250	2.675	3.700	4.000	.275	11P + 24S	6450362-3
DIM U	DIM S	DIM W	DIM D	DIM L	DIM K	DESCRIPTION	PART NUMBER

THIS DRAWING IS A CONTROLLED DOCUMENT.

DIMENSIONS: INCHES

TOLERANCES UNLESS OTHERWISE SPECIFIED:

0 PLC	±
1 PLC	±.01
2 PLC	±.005
3 PLC	±.002
4 PLC	±.002
ANGLES	±.002

MATERIAL:

FINISH:

APPROVED: S. ZHAO

DATE: 02MAR2007

NAME: RIGHT ANGLE RECEPTACLE ASSEMBLY WITH GUIDE MODULES MULTI-BEAM XL

SIZE: A1

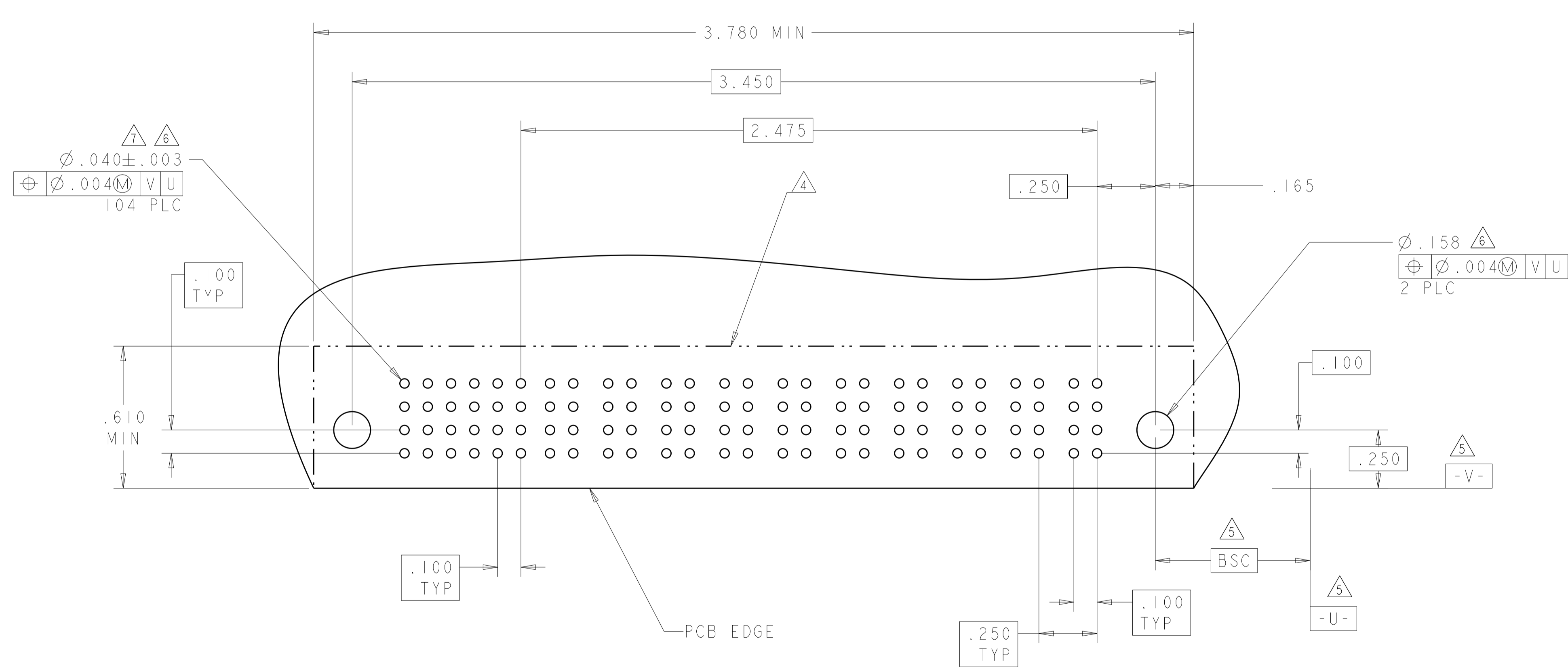
SCALE: 1:1

SHEET: 3 OF 5

REV: C3

LOC	DIST	REVISIONS					
		P	LTN	DESCRIPTION	DATE	DMN	APVD
ES	00	-	-	SEE SHEET 1	-	-	-

PART NUMBER	ROWS	SIGNAL						POWER									
		6	5	4	3	2	1	P10	P9	P8	P7	P6	P5	P4	P3	P2	P1
6450362-7	D C B A	H	H	H	H	H	H	RM	RM	RM	RM	RM	RM	RM	RM	RM	RM
		G	G	G	G	G	G										
		F	F	F	F	F	F										
		E	E	E	E	E	E										
10P + 24S																	



THIS DRAWING IS A CONTROLLED DOCUMENT.		DMN S. ZHAO 02MAR2007	TE Connectivity
DIMENSIONS: INCHES		CHK S. ZHAO 02MAR2007	
TOLERANCES UNLESS OTHERWISE SPECIFIED: 0 PLC ±. 1 PLC ±.01 2 PLC ±.01 3 PLC ±.005 4 PLC ±.0020 ANGLES ±.2° FINISH -		APVD S. ZHAO -	NAME RIGHT ANGLE RECEPTACLE ASSEMBLY WITH GUIDE MODULES MULTI-BEAM XL
MATERIAL -		PRODUCT SPEC 108-1973	SIZE CAGE CODE DRAWING NO. A100779C=6450362
CUSTOMER DRAWING		APPLICATION SPEC 114-13038	RESTRICTED TO -
SCALE 1:1		WEIGHT -	SHEET 4 OF 5
			REV C3

